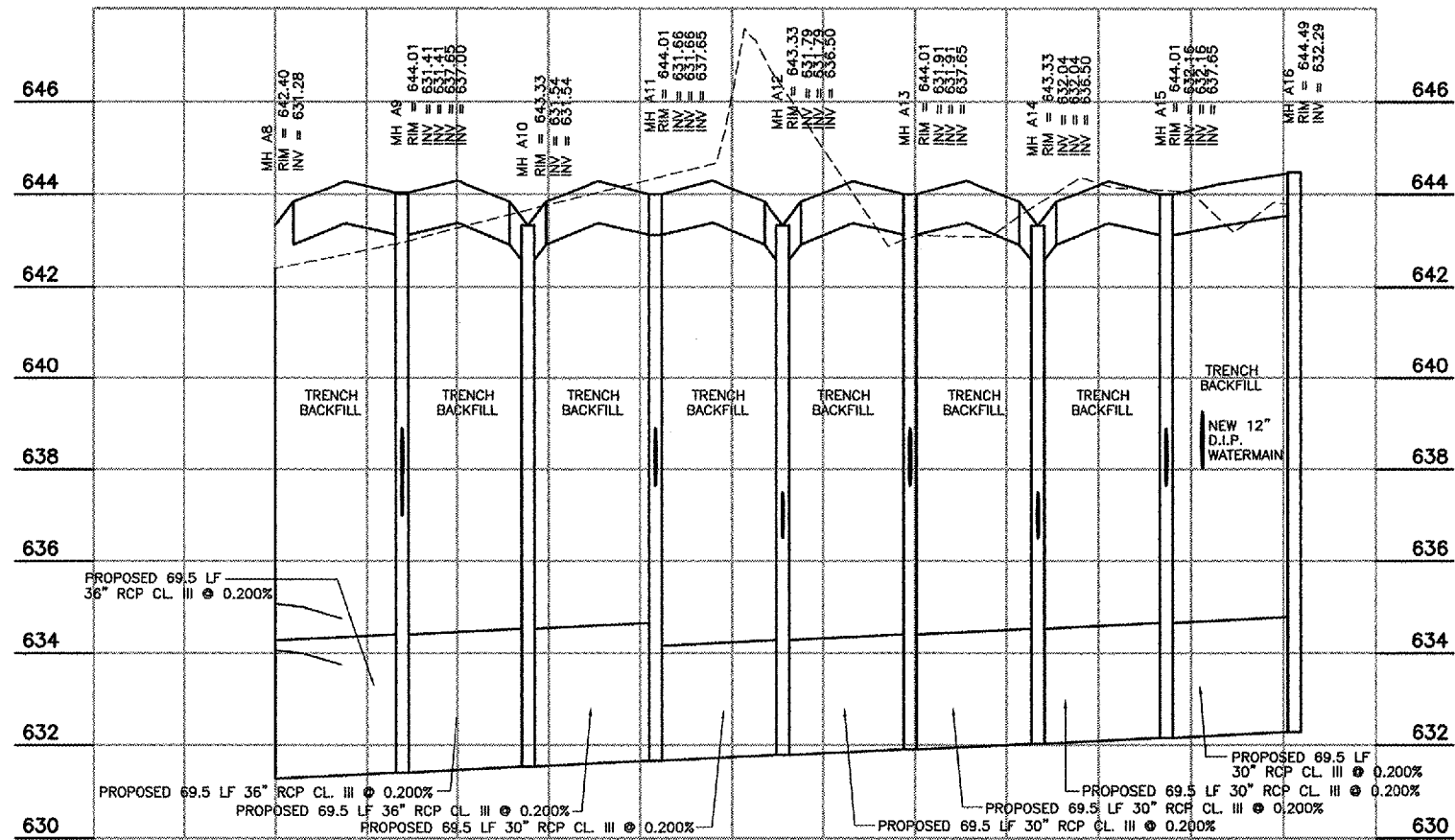
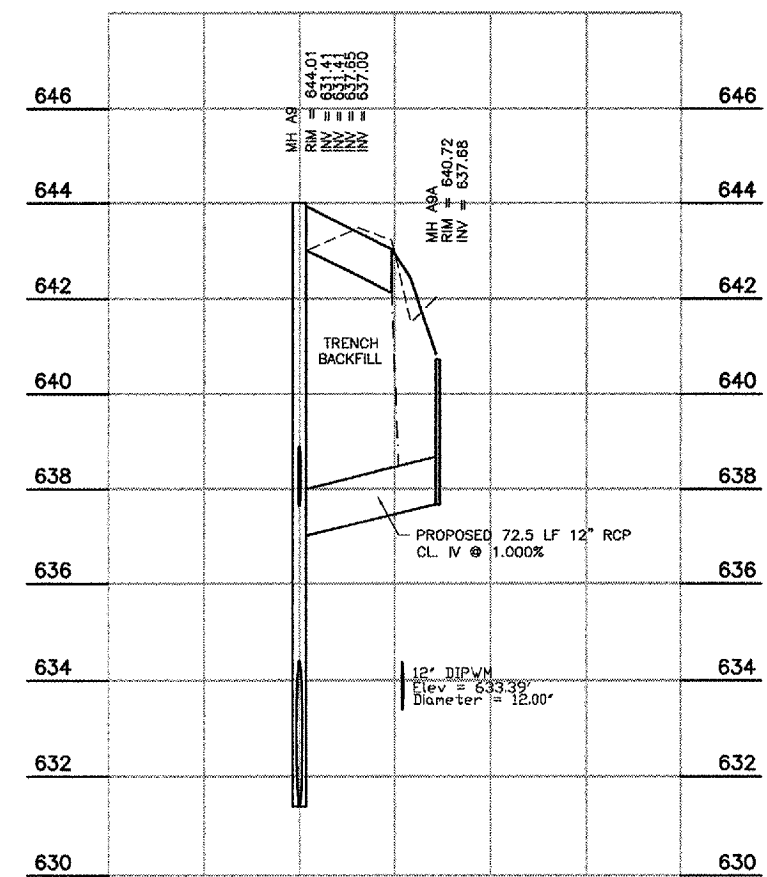


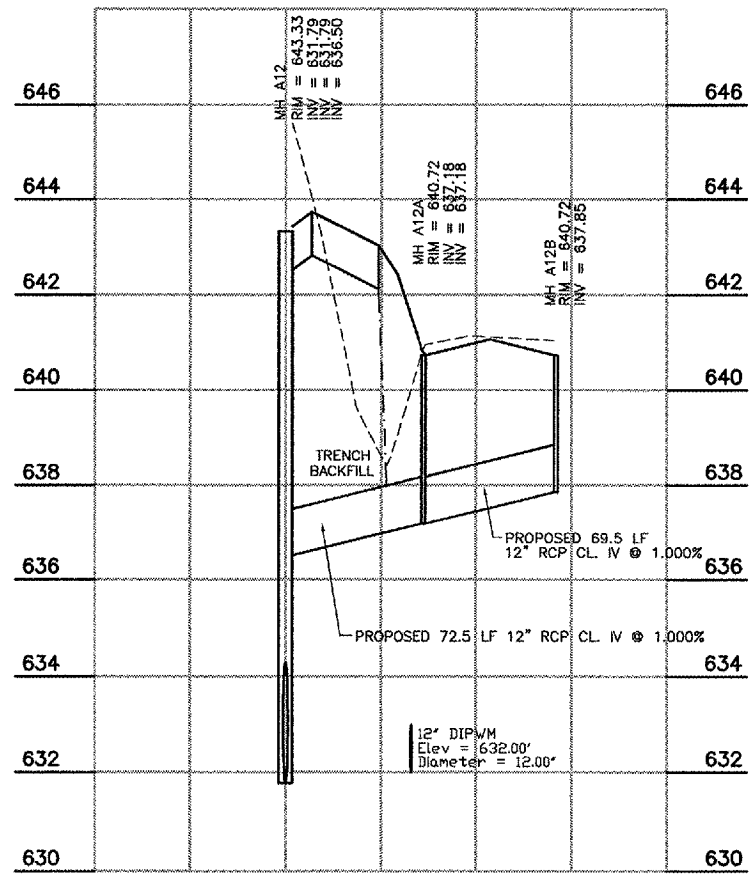
LATERAL D, E, F AND G



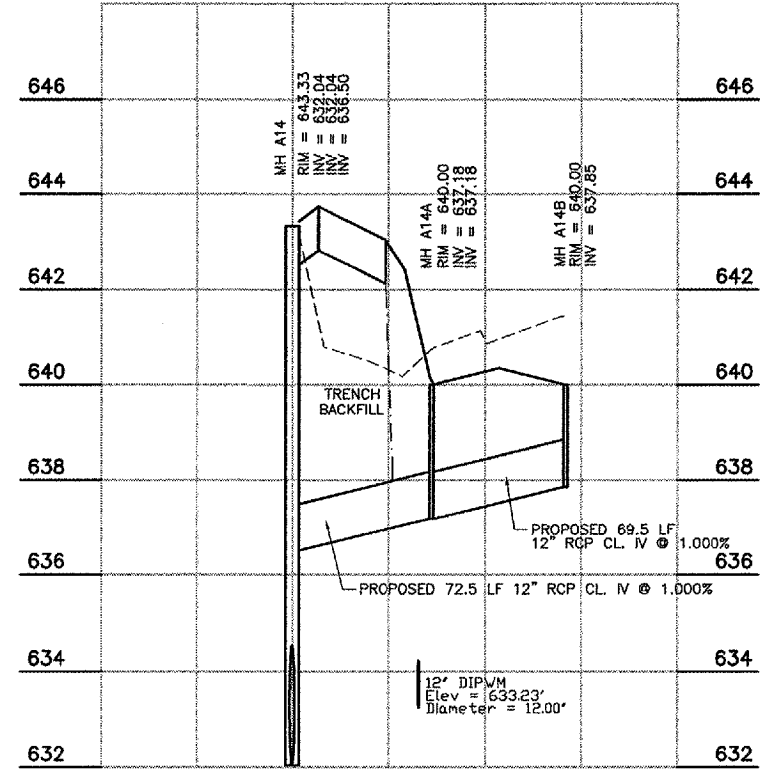
TRUNK A



LATERAL A9

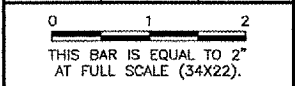


LATERAL A12



LATERAL A14

REVISIONS		
NUMBER	BY	DATE



PALWAUKEE MUNICIPAL AIRPORT
 WHEELING/PROSPECT HEIGHTS, ILLINOIS

STORM SEWER PROFILES
 SHEET 2

© Copyright CMT, Inc.

CMT
 CRAWFORD, MURPHY & TILLY, INC.
 CONSULTING ENGINEERS
 License No. 184-000813

DESIGN BY:	ARM
DRAWN BY:	JRO
CHECKED BY:	
APPROVED BY:	
DATE:	06/29/06
JOB No:	06290-07
ILLINOIS PROJECT: PWK-3613 A.I.P. PROJECT: 3-17-0018-B39	
SHEET 20 OF 40 SHEETS	