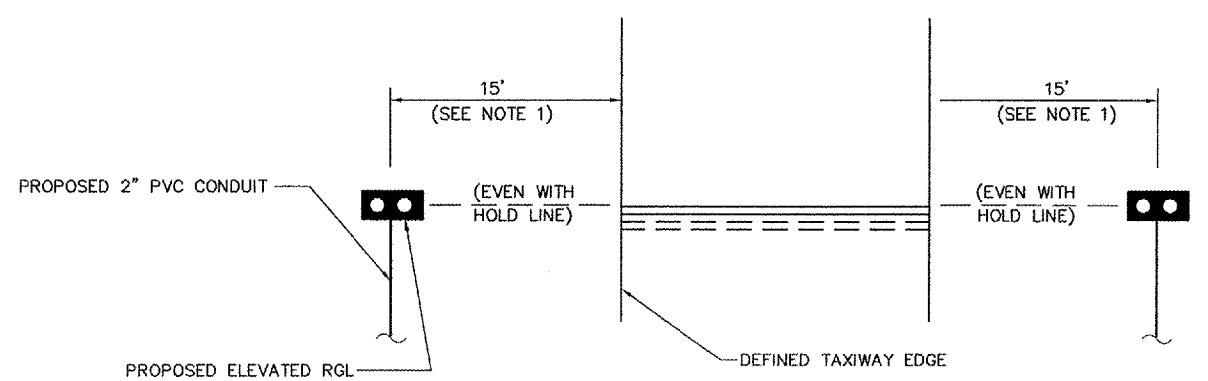


INSTALLATION OF ELEVATED RGL (TYPICAL)
 NOT TO SCALE



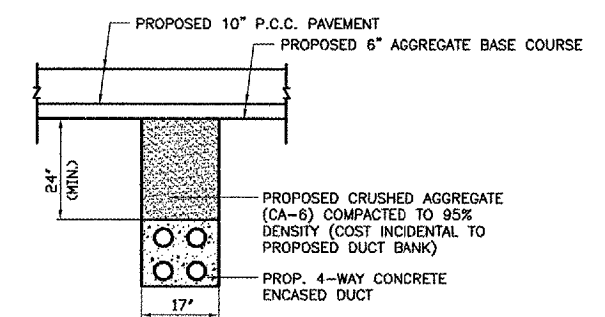
ELEVATED RGL LAYOUT DETAIL (TYPICAL)
 NOT TO SCALE

NOTES

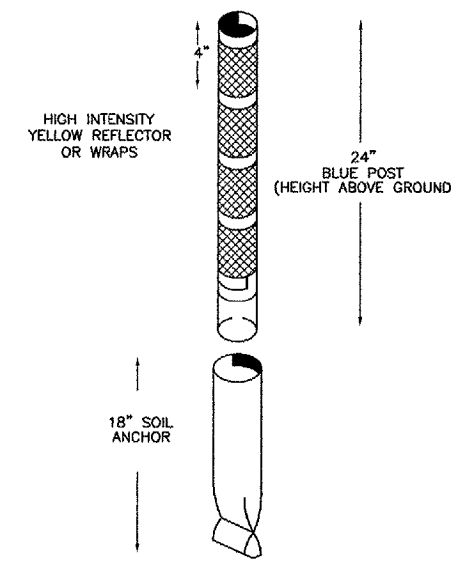
- DISTANCE FROM TXY. EDGE MAY BE INCREASED UP TO A MAXIMUM OF 17' AND A MINIMUM OF 12'. KEEP BOTH BOXES AT SAME DISTANCE FROM TAXIWAY PAVEMENT.

GENERAL NOTES

- TRANSFORMER HOLDER MAY BE ANY COMMERCIALY AVAILABLE BRICK.
- BREAKING GROOVE COUPLINGS SHALL NOT BE OVER 1" ABOVE GROUND LINE.
- ISOLATION TRANSFORMERS COME WITH A FACTORY INSTALLED PLUG (TYPE 1, CLASS A, STYLE 2) AND RECEPTACLE (TYPE 1, CLASS A, STYLE 9). A TYPE 1, CLASS B, STYLE 3 PLUG AND TYPE 1, CLASS B, STYLE 10 RECEPTACLE SHALL BE INSTALLED ON THE 1/C, No. 8, 5000 V., L-824 TYPE C CABLES FOR CONNECTION TO EACH TRANSFORMER.
- TO FURTHER REDUCE THE POSSIBILITY OF WATER/MOISTURE ENTRANCE INTO THE CONNECTOR BETWEEN THE CABLE AND THE FIELD ATTACHED CONNECTOR, IT IS REQUIRED THAT A HEAT SHRINKABLE TUBING WITH INTERNAL ADHESIVE BE APPLIED OVER THE ENTIRE CABLE CONNECTOR.
- ALL LIGHTS, CABLES AND TRANSFORMERS TO BE REMOVED SHALL REMAIN THE PROPERTY OF THE AIRPORT. AT THE DISCRETION OF THE AIRPORT MANAGER THE CONTRACTOR MAY BE REQUIRED TO DISPOSE OF THESE MATERIALS OFFSITE.
- DUCT MARKERS SHALL BE INSTALLED AT EVERY NEW DUCT AND AT EVERY EXISTING DUCT USED FOR THIS PROJECT.

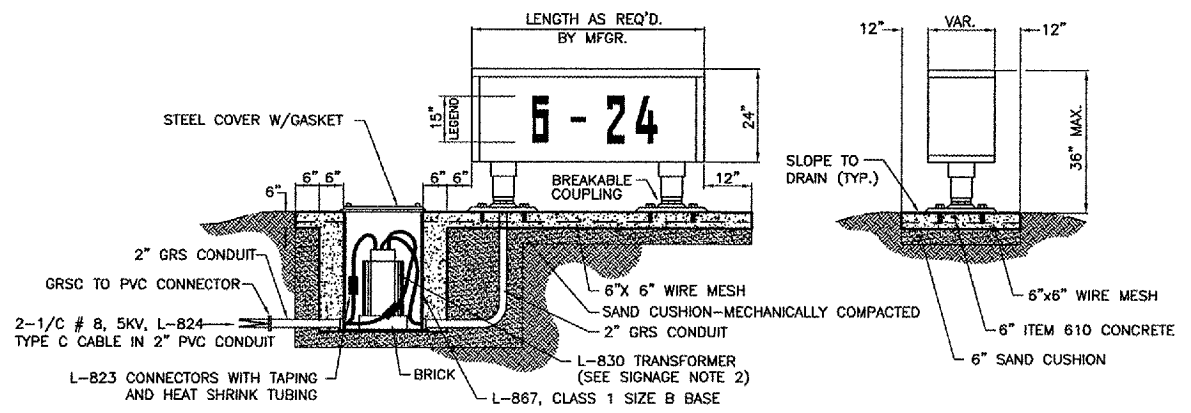


CONC ENCASED (4-WAY) ELECTRICAL DUCT BACKFILL
 NO SCALE



TAXIWAY RETROREFLECTIVE MARKER DETAIL
 NOT TO SCALE

NOTE: RETROREFLECTIVE MARKER SHALL BE UNIPAR, INC. EVAFLX OR APPROVED EQUAL.

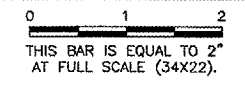


PROPOSED AIRFIELD SIGN L-858
 NOT TO SCALE

SIGNAGE NOTES

- ALL SIGNS ARE 2-SIDED SIGNS. STYLE 2 AND CLASS 2 AS MANUFACTURED BY SIEMENS OR APPROVED EQUAL.
- TRANSFORMER WATTAGE AS RECOMMENDED BY MANUFACTURER.
- LIGHTED SIGNS SHALL BE BASE MOUNTED ONLY.
- THE NUMBER OF MODULES PER SIGN SHALL BE AS RECOMMENDED BY THE MANUFACTURER.
- CONTRACTOR SHALL SUBMIT DETAILED SHOP DRAWING INCLUDING SIGN, COLOR, SIZE AND PROPOSED LEGEND, IN ENOUGH DETAIL AND DETERMINE PROPOSED SPACING AND OTHER INFORMATION REQUIRED BY SPECIAL PROVISIONS. CONTRACTOR TO VERIFY PROPOSED SIGN LOCATIONS AND ORIENTATIONS WITH RESIDENT ENGINEER PRIOR TO INSTALLATION.

REVISIONS		
NUMBER	BY	DATE



PALWAUKEE MUNICIPAL AIRPORT
 WHEELING/PROSPECT HEIGHTS, ILLINOIS

ELECTRICAL DETAILS - SHEET 2

© Copyright GMT, Inc.
GMT
 CRAWFORD MURPHY & TILLY, INC.
 CONSULTING ENGINEERS
 License No. 184-000693

DESIGN BY:	ARM
DRAWN BY:	JRO
CHECKED BY:	AB
APPROVED BY:	
DATE:	06/29/06
JOB No:	06290-07
ILLINOIS PROJECT: PWK-3613 A.I.P. PROJECT: 3-17-0018-B39	
SHEET 30 OF 40 SHEETS	