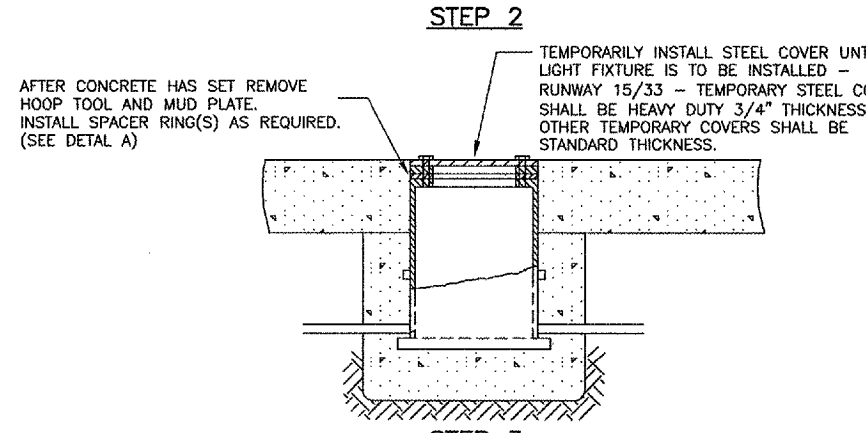
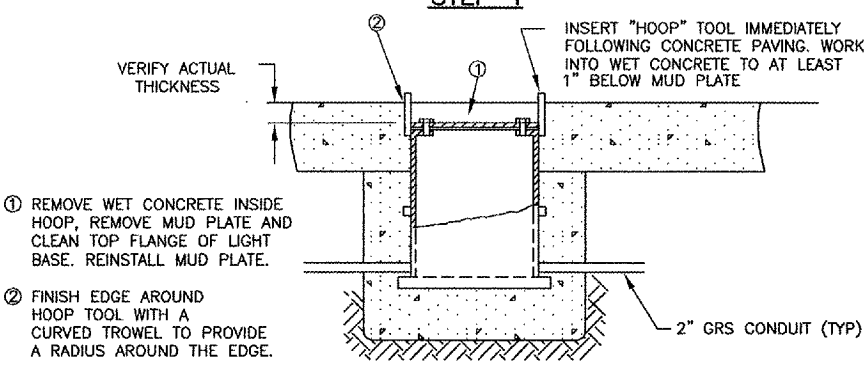
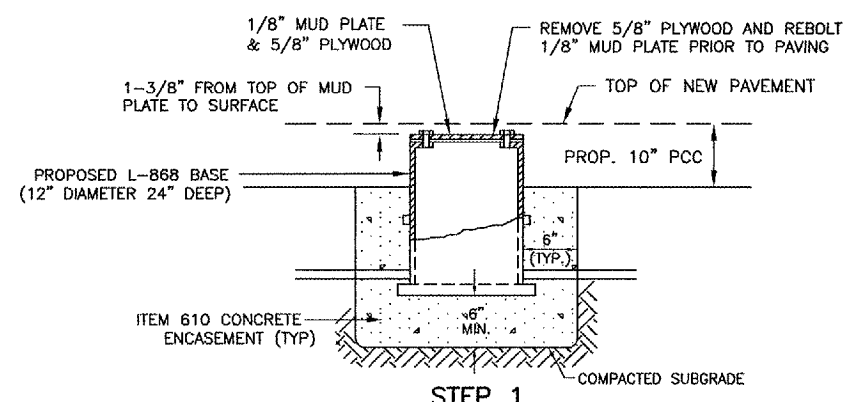
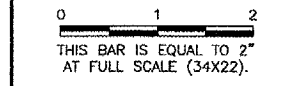


REVISIONS		
NUMBER	BY	DATE

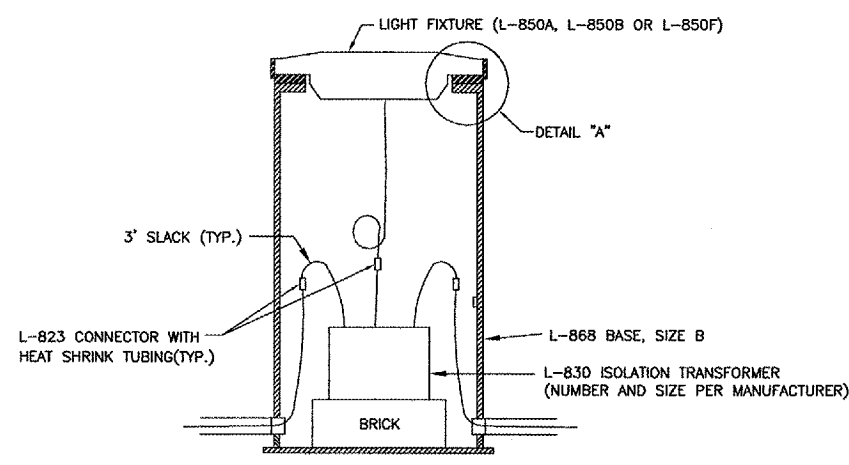
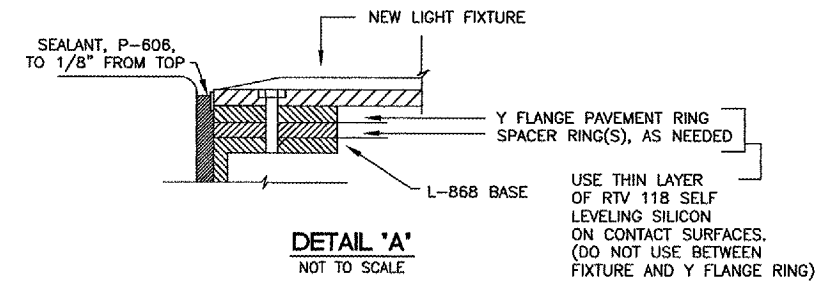


**IN-PAVEMENT RUNWAY EDGE LIGHT INSTALLATION IN PROPOSED PCC PAVEMENT**

NOT TO SCALE

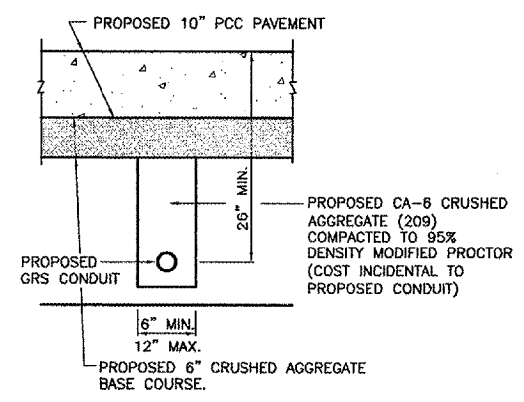
**PCC PAVEMENT NOTES**

- EXCAVATE TO PROPER DEPTH TO ALLOW 6" CONCRETE ENCASEMENT UNDER NEW BASES AND 6" UNDER NEW CONDUIT. CLEAN CUT EDGES AND COMPACT BOTTOM OF EXCAVATION.
- USE MANUFACTURERS SETTING JIG (OR OTHER DEVICE APPROVED BY THE ENGINEER FOR PROPERLY ALIGNING NEW L-868 BASES. SECURE SETTING JIG TO PREVENT MOVEMENT DURING CONCRETE ENCASEMENT. ALL CONDUITS TO BE SUPPORTED DURING CONSTRUCTION AS REQUIRED.
- ALL LIGHT BASES SHALL BE PROPERLY POSITIONED AND ALIGNED AND CONDUIT CONNECTING THE BASES PROPERLY SECURED IN PLACE BEFORE POURING CONCRETE. ENSURE PROPER ALIGNMENT AFTER CONCRETE ENCASEMENT OF NEW BASE BEFORE CONCRETE SETS UP. TIGHT CONNECTIONS MUST BE ASSURED TO PREVENT CONCRETE FROM ENTERING BASE OR CONDUIT.
- AFTER INSTALLATION OF THE L-868 BASE AND WHILE PCC PAVING AT THE FIXTURE LOCATION IS WET, INSERT "HOOP" TOOL TO AT LEAST 1" BELOW MUD PLATE. REMOVE WET CONCRETE FROM INSIDE HOOP AND CLEAN TOP FLANGE SURFACE. FINISH THE CONCRETE AROUND THE HOOP TOOL WITH A CURVED RADIUS TROWEL. USE CAUTION TO AVOID AGGREGATE SEGREGATION DURING THIS PROCEDURE.
- AFTER CONCRETE HAS SET, REMOVE HOOP TOOL AND MUD PLATE. INSTALL FLANGE AND SPACER RINGS AS REQUIRED AND LIGHT ASSEMBLY. A TEMPORARY STEEL COVER MAY BE INSTALLED IF LIGHT FIXTURE IS TO BE INSTALLED LATER.
- AFTER FIXTURE INSTALLATION, FILL THE ANNULAR SPACE BETWEEN THE FIXTURE BASE AND SURROUNDING PAVEMENT WITH P-606 SEALANT. ANNULAR SPACE SHALL BE NO MORE THAN 3/4" WIDE.
- INSTALL BASE AND RINGS SO THAT OUTER EDGE OF LIGHT FIXTURE WILL BE AT SAME ELEVATION AS THE FINISHED PAVEMENT SURFACE TO (+) 0" (-) 1/16" TOLERANCE. THE TOTAL THICKNESS OF THE SPACER/FLANGE RINGS SHALL BE NO LARGER THAN 3/4" MAX. NO MORE THAN 3 RINGS SHALL BE USED.



**LIGHT FIXTURE INSTALLATION DETAIL**

NOT TO SCALE

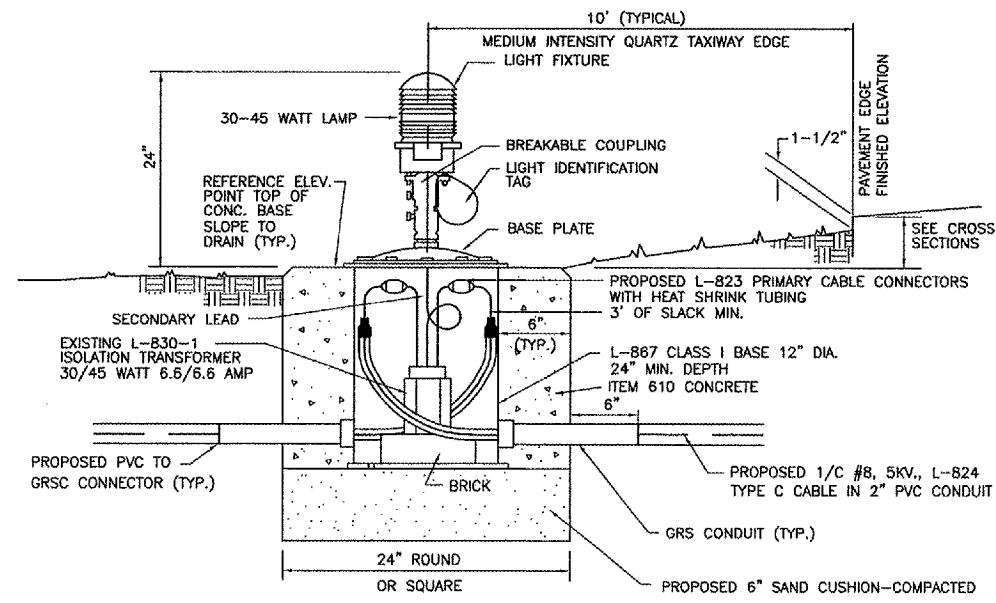


**GRS CONDUIT UNDER P.C.C. PAVEMENT DETAIL**

NOT TO SCALE

**NOTES**

- PROPOSED CONDUIT SHALL BE INSTALLED AT AN ELEVATION THAT WILL NOT CONFLICT WITH EXISTING OR PROPOSED UTILITIES INCLUDING STORM SEWER, UNDERDRAIN, CONDUIT, DUCT, GAS, WATERMAIN, PHONE, ELECTRICAL AT NO ADDITIONAL COST TO THE CONTRACT.



**PROPOSED BASE MOUNTED MEDIUM INTENSITY TAXIWAY LIGHT**

NOT TO SCALE

**PALWAUKEE MUNICIPAL AIRPORT**  
**WHEELING/PROSPECT HEIGHTS, ILLINOIS**  
**ELECTRICAL DETAILS - SHEET 3**

© Copyright CMT, Inc.  
**CMT**  
 CRAWFORD, MURPHY & TILLY, INC.  
 CONSULTING ENGINEERS  
 License No. 184-000693

DESIGN BY:	ARM
DRAWN BY:	JRO
CHECKED BY:	AB
APPROVED BY:	
DATE:	06/29/06
JOB No:	06290-07
ILLINOIS PROJECT: PWK-3613	
A.I.P. PROJECT: 3-17-0018-B39	
SHEET 31 OF 40 SHEETS	