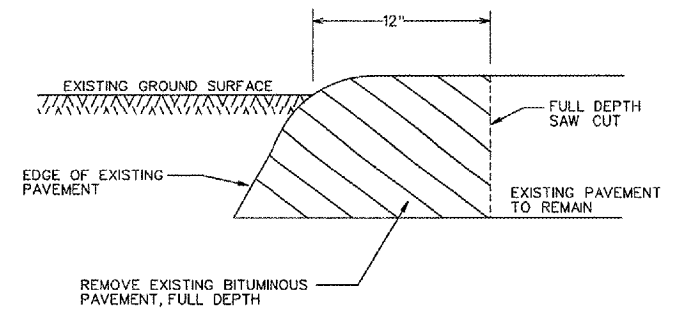
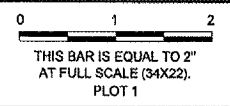
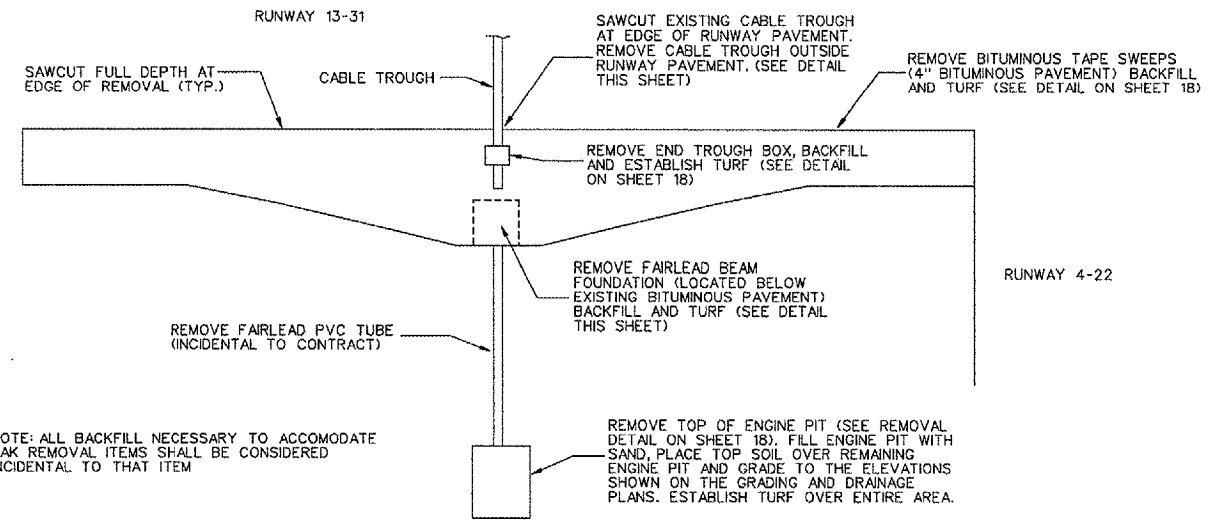


NUMBER	BY	DATE

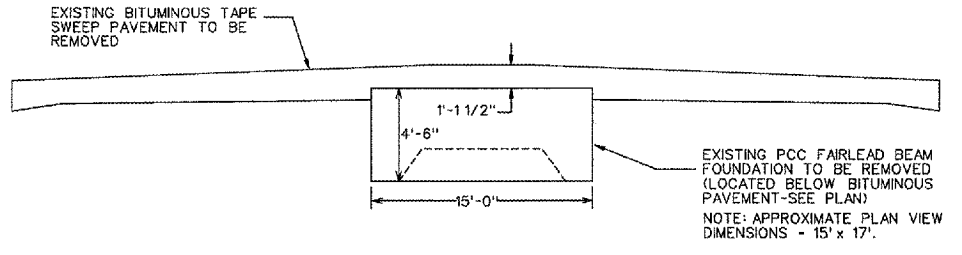


BITUMINOUS EDGE REMOVAL DETAIL
N.T.S.

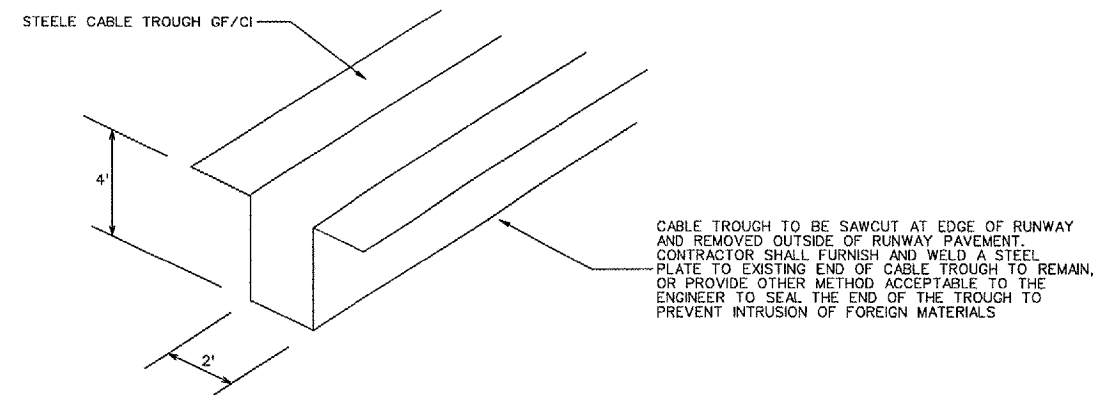


NOTE: ALL BACKFILL NECESSARY TO ACCOMMODATE BAK REMOVAL ITEMS SHALL BE CONSIDERED INCIDENTAL TO THAT ITEM

BAK REMOVALS - PLAN VIEW (TYP. BOTH SIDES)
N.T.S.



TYPICAL FAIRLEAD BEAM FOUNDATION REMOVALS
N.T.S.



CABLE TROUGH - REMOVAL DETAIL
N.T.S.

GREATER Peoria REGIONAL Airport
 RELOCATE TAXIWAYS A AND D FROM MID-FIELD INTERSECTION PHASE 2

CMT
 CRAWFORD, MURPHY & TILLY, INC.
 CONSULTING ENGINEERS
© copyright cmt, inc.

IL PROJECT: PIA-3616
AIP PROJ: 3-17-0080-XX

FILE: ...1012_demo_plan_details.dgn

DESIGN BY:	TCS
DRAWN BY:	CAG
CHECKED BY:	TCS
APPROVED BY:	CET
DATE:	MAY 12, 2006
JOB No:	04061-03-03

1/13/2006
\\peoria\0406103_03\draw\sheets\012_demo_plan_details.dgn