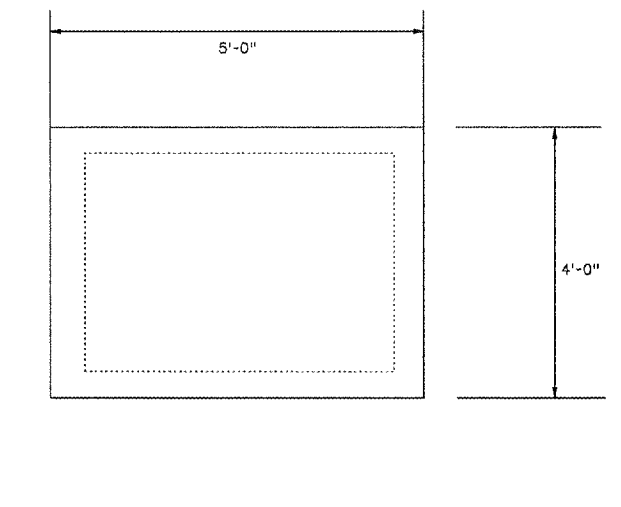
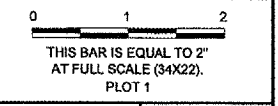
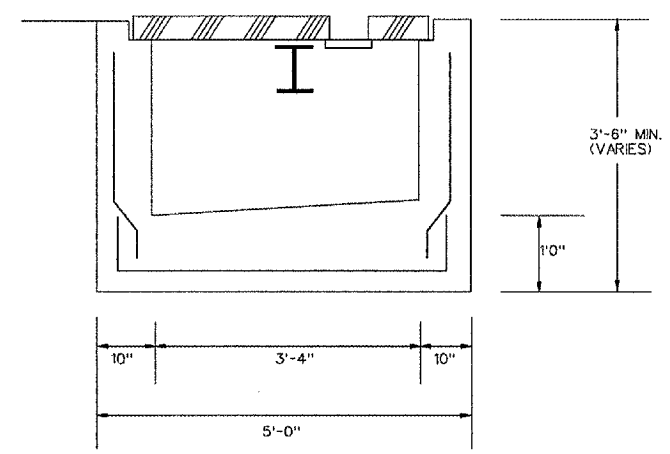


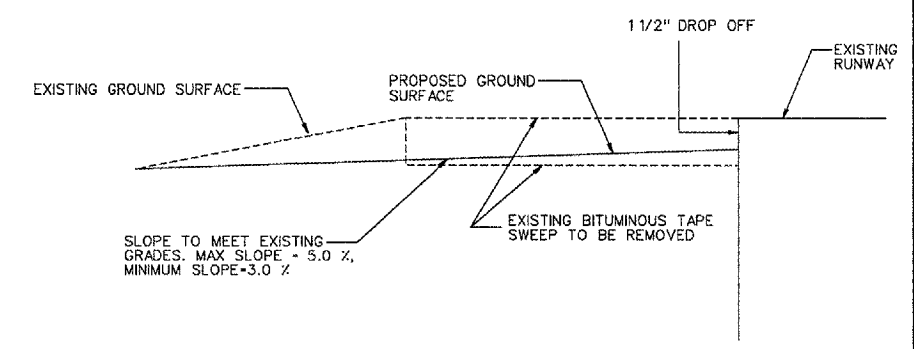
REVISIONS		
NUMBER	BY	DATE



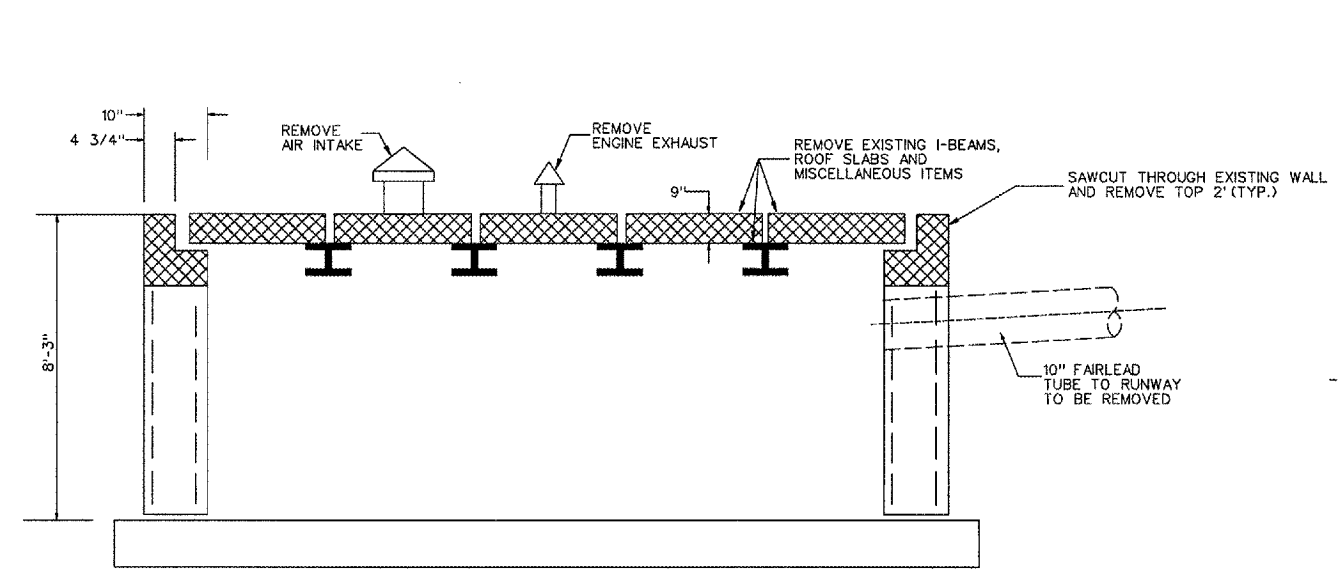
END TROUGH BOX REMOVAL - PLAN
N.T.S.



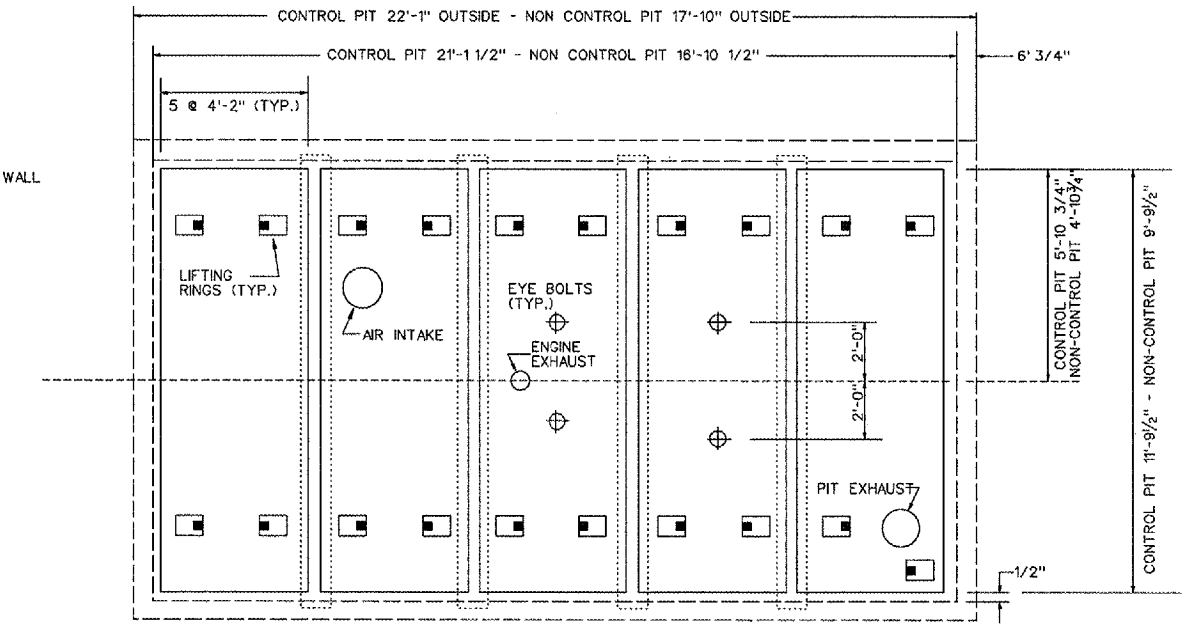
END TROUGH BOX REMOVAL - SECTION
N.T.S.



BITUMINOUS TAPE SWEEP REMOVAL DETAIL
N.T.S.



ENGINE PIT REMOVAL - SECTION DETAIL
N.T.S.



CONTROL PIT - SOUTH SIDE OF RUNWAY 13-31
NON CONTROL PIT - NORTH SIDE OF RUNWAY 13-31

ENGINE PIT REMOVAL (PLAN VIEW)
N.T.S.

GREATER Peoria REGIONAL Airport

RELOCATE TAXIWAYS A AND D FROM MID-FIELD INTERSECTION PHASE 2

CMT
CRAWFORD, MURPHY & TILLY, INC.
CONSULTING ENGINEERS

IL PROJECT: PIA-3616
AIP PROJ: 3-17-0080-XX

FILE: ...013_demo_plan_details_2.dgn

DESIGN BY: TCS
DRAWN BY: CAG
CHECKED BY: TCS
APPROVED BY: CET

DATE: MAY 12, 2006

JOB No: 04061-03-03

7/13/2006 k:\peoria\0406103_03\draw\sheet\013_demo_plan_details_2.dgn