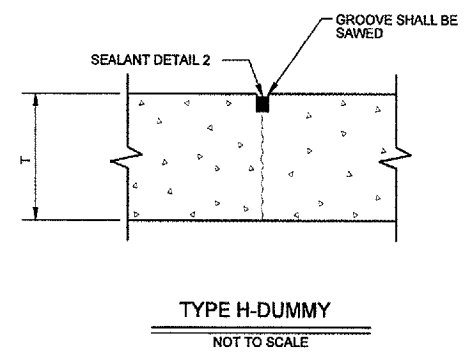
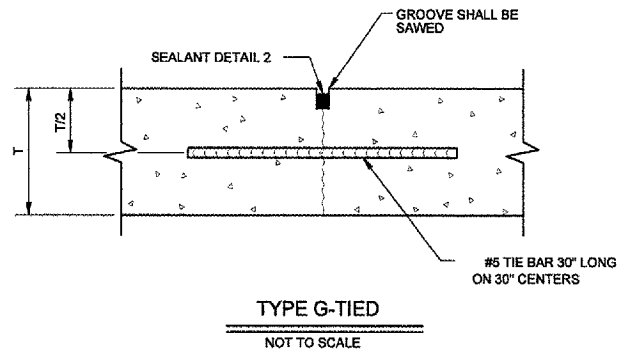
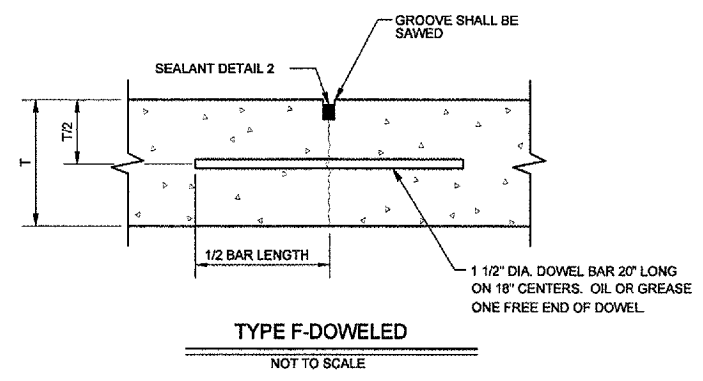


NUMBER	BY	DATE

0 1 2  
THIS BAR IS EQUAL TO 2" AT FULL SCALE (34X22). PLOT 1

CONTRACTION JOINTS

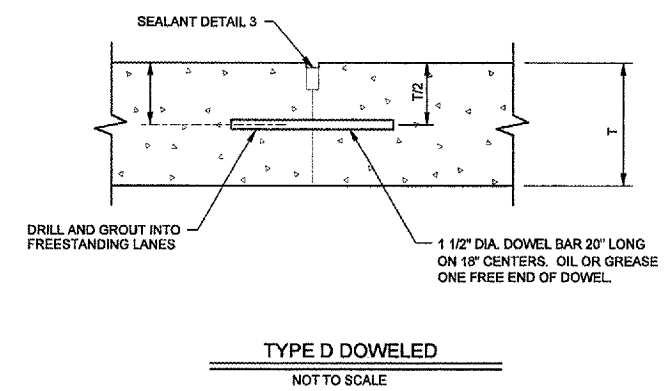


T=18"

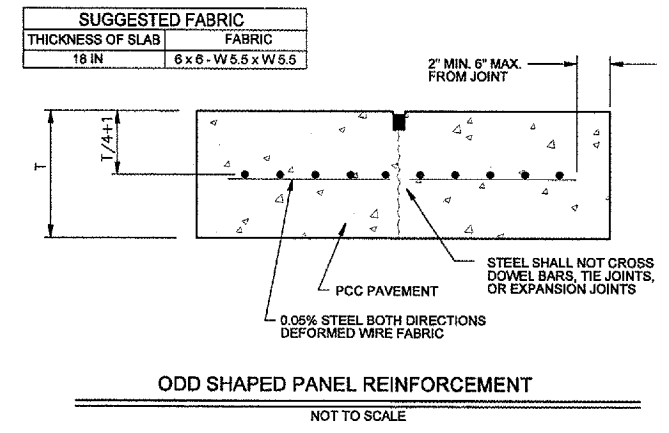
THICKNESS OF SLAB	DIAMETER	LENGTH	SPACING
6-7 IN	3/4 IN	18 IN	12 IN
8-12 IN	1 IN	19 IN	12 IN
13-16 IN	1-1/4 IN	20 IN	15 IN
17-20 IN	1-1/2 IN (1)	20 IN	18 IN
21-24 IN	2 IN (1)	24 IN	18 IN

(1) DOWELS NOTED MAY BE A SOLID BAR OR HIGH-STRENGTH PIPE. HIGH STRENGTH PIPE DOWELS MUST BE PLUGGED ON EACH END WITH A TIGHT-FITTING PLASTIC CAP OR WITH BITUMINOUS OR MORTAR MIX.

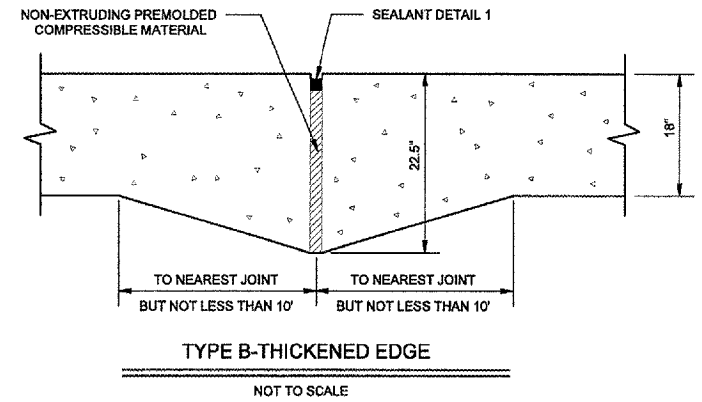
CONSTRUCTION JOINT



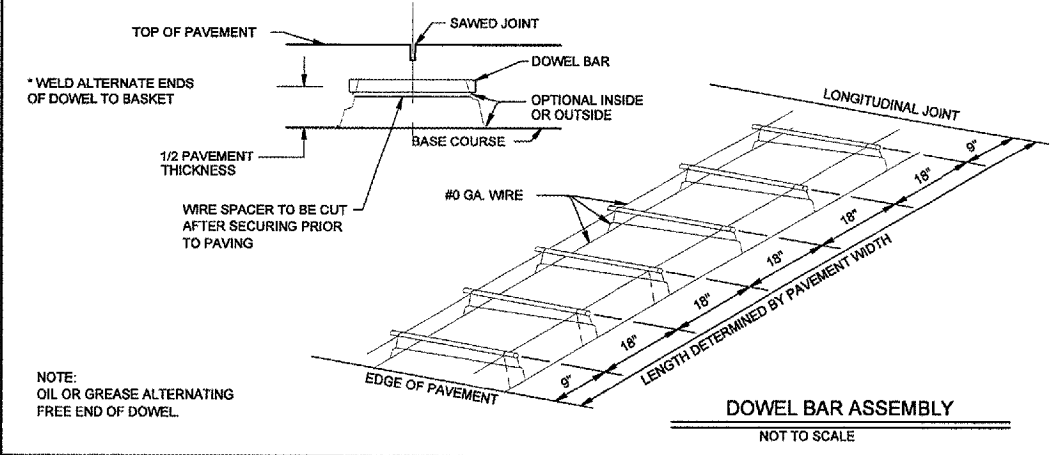
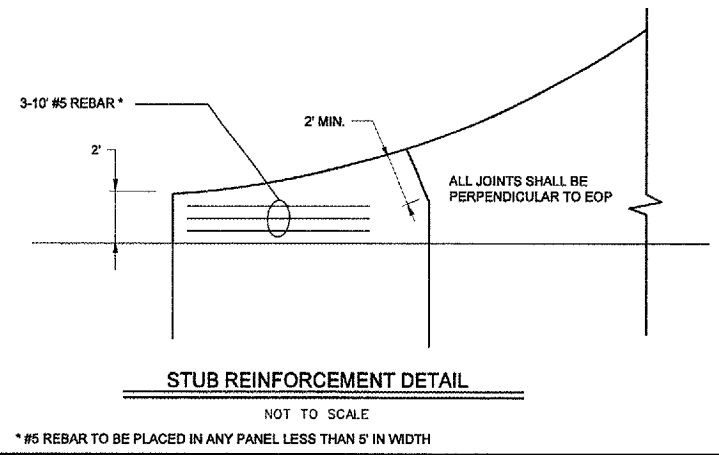
REINFORCED PANELS



EXPANSION JOINT

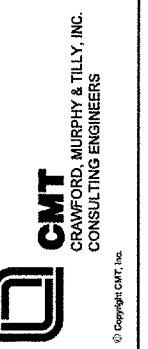
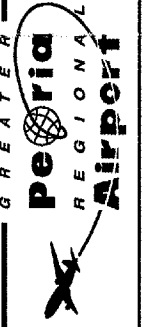
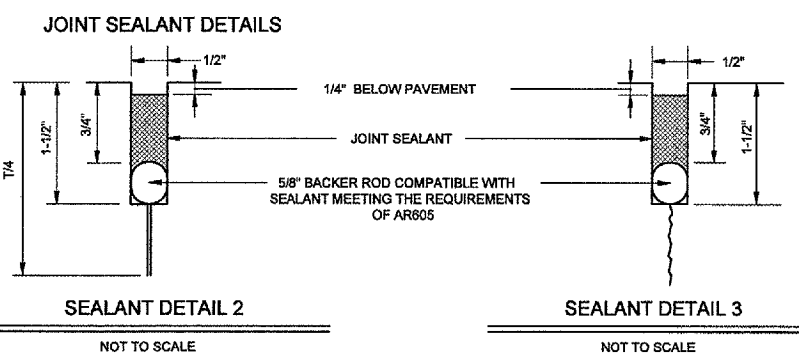
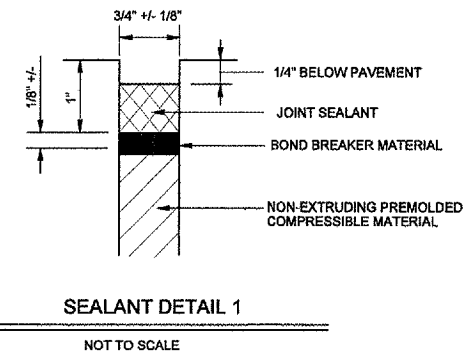


STUB REINFORCEMENT DETAIL



JOINTING NOTES

- ALL EDGES OF NEW SLABS, FREE STANDING OR CLOSURE, SHALL BE EDGED WITH AN APPROVED TOOL HAVING A RADIUS OF 1/4". TO FACILITATE SAWING OF THE SEALANT RESERVOIR.
- THE INITIAL SAW CUT FOR ALL TRANSVERSE CONTRACTION JOINTS SHALL BE SAWS AS SOON AS POSSIBLE AFTER PLACEMENT OF THE PAVEMENT.
- ALL DOWEL BARS IN TRANSVERSE JOINTS SHALL BE SECURELY HELD IN PLACE BY MEANS OF A DOWEL BAR ASSEMBLY WHICH WILL INSURE THAT THEY REMAIN PARALLEL TO THE PAVEMENT LANES. SHOP DRAWING SUBMITTAL OF THE DOWEL BAR ASSEMBLIES SHALL BE MADE PRIOR TO INSTALLATION.
- ALL REINFORCEMENT AND/OR FABRIC SHALL BE SECURELY HELD IN PLACE BY SUPPORT PINS OR OTHER APPROVED METHODS TO PREVENT SHIFTING DURING & AFTER CONCRETE PLACEMENT.
- THE INITIAL SAW CUT SHALL BE MADE TO THE 1/8" WIDTH INDICATED. INITIAL SAWING TO THE DIMENSIONS OF THE SECOND SAW CUT WILL NOT BE ALLOWED.
- TYPE D DOWELED CONSTRUCTION JOINT SHALL BE INSTALLED FOR ALL LONGITUDINAL JOINTS AND WHERE PAVING OPERATIONS ARE DELAYED OR STOPPED.



IL PROJECT: PIA-3616  
AIP PROJ: 3-17-0080-XX

FILE: ...027\_joint\_detail\_1.dgn  
DESIGN BY: TCS  
DRAWN BY: CAG  
CHECKED BY: TCS  
APPROVED BY: CET  
DATE: JUNE 30, 2006  
JOB No: 04081-03-02

JOINTING DETAILS

RELOCATE TAXIWAY A AND D FROM MID-FIELD INTERSECTION PHASE 2

7/13/2006 k:\peoria\040610302\draw\sheets\027\_joint\_detail\_1.dgn