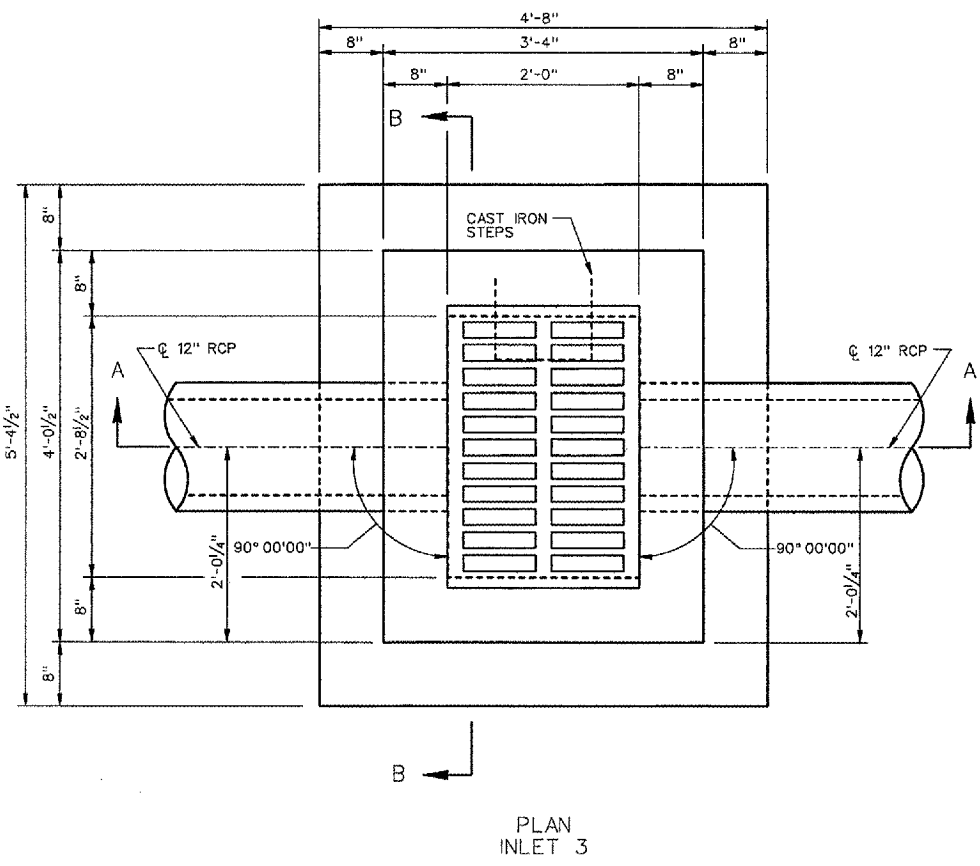
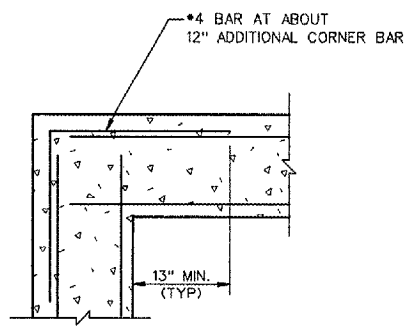


NUMBER	BY	DATE

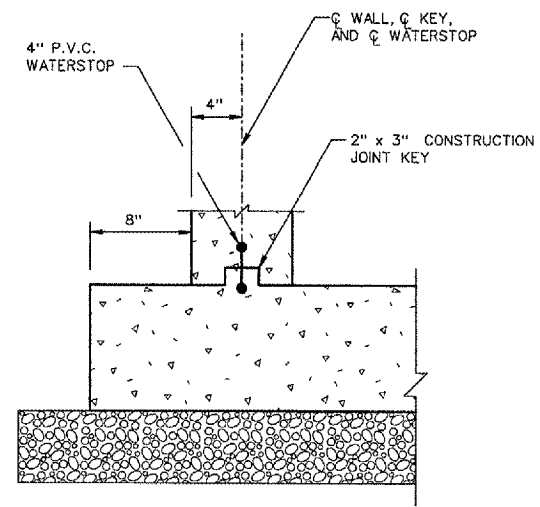
0 1 2  
THIS BAR IS EQUAL TO 2" AT FULL SCALE (34X22). PLOT 1



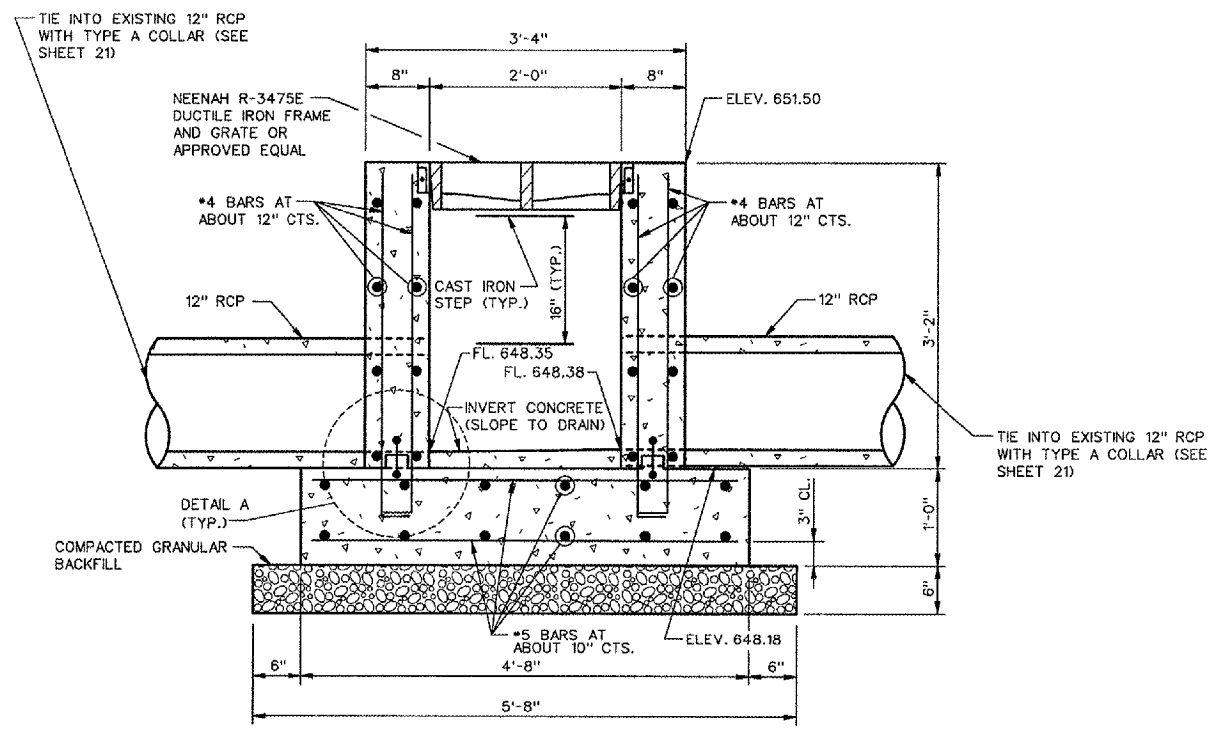
PLAN INLET 3



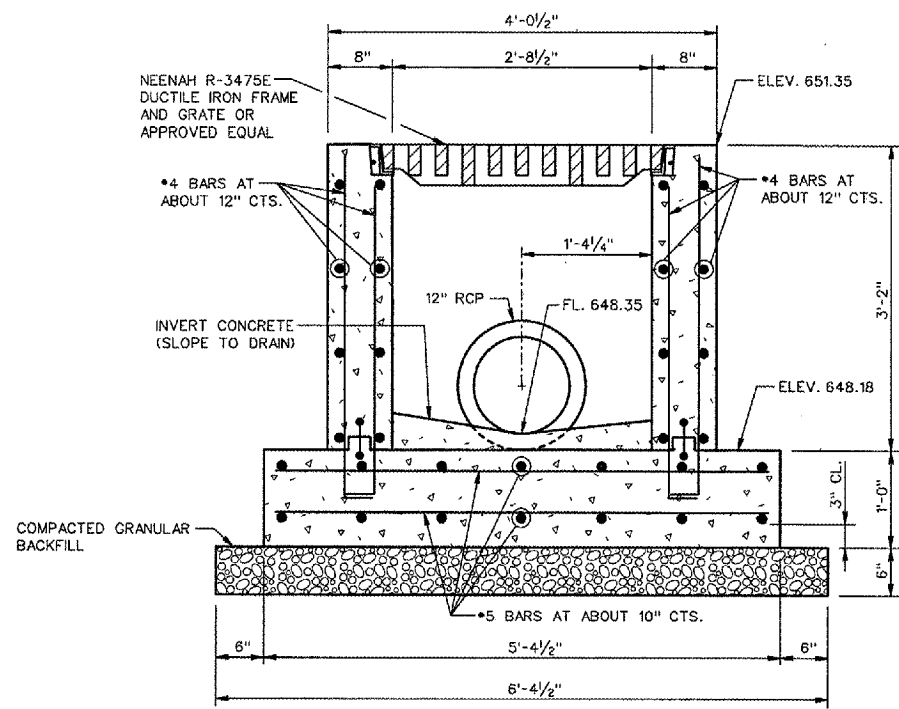
PLAN TYPICAL WALL CORNER DETAIL



DETAIL A  
NOTE: REINFORCEMENT NOT SHOWN FOR CLARITY



SECTION A-A



SECTION B-B

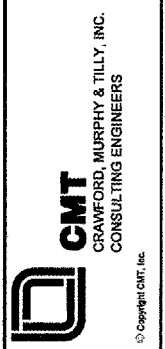
- NOTES:
1. CAST IN PLACE CONCRETE SHALL HAVE A MINIMUM 28 DAY COMPRESSIVE STRENGTH OF 3000 PSI.
  2. ALL REINFORCEMENT SHALL BE ASTM A615 GRADE 60.
  3. REINFORCING BARS SHALL BE CUT AND/OR BENT AT ALL OPENINGS TO MAINTAIN 1" CLEARANCE FROM PIPES.
  4. MINIMUM CLEARANCE TO REINFORCING STEEL SHALL BE 1/2" UNLESS OTHERWISE SHOWN.
  5. THE CONTRACTOR SHALL FIELD VERIFY ALL EXISTING PIPE SIZES AND ELEVATIONS PRIOR TO CONSTRUCTION/INSTALLATION OF DRAINAGE STRUCTURES.
  6. PIPE SECTIONS TO TIE EXISTING RCP TO PROPOSED INLET SHALL NOT BE MEASURED FOR PAYMENT AND SHALL BE CONSIDERED INCIDENTAL TO THE COST OF THE INLET.
  7. ALL CONCRETE WORK SHALL CONFORM TO ACI-318-02.

NOTE: THIS DRAWING IS NOT TO SCALE. FOLLOW DIMENSIONS.

7/13/2006 k:\p\peoria\040610302\draw\sheets\026\_drainage\_details\_5.dgn



RELOCATE TAXIWAY A AND D FROM MID-FIELD INTERSECTION PHASE 2



IL PROJECT: PIA-3616  
AIP PROJ: 3-17-0080-XX

FILE: ...026\_drainage\_details\_5.dgn  
DESIGN BY: JDJ  
DRAWN BY: JSP  
CHECKED BY: JDJ  
APPROVED BY: CET  
DATE: JUNE 30, 2006  
JOB No: 04081-03-02

DRAINAGE DETAILS  
SHEET 3 OF 8

SHEET 44 OF 107 SHEETS