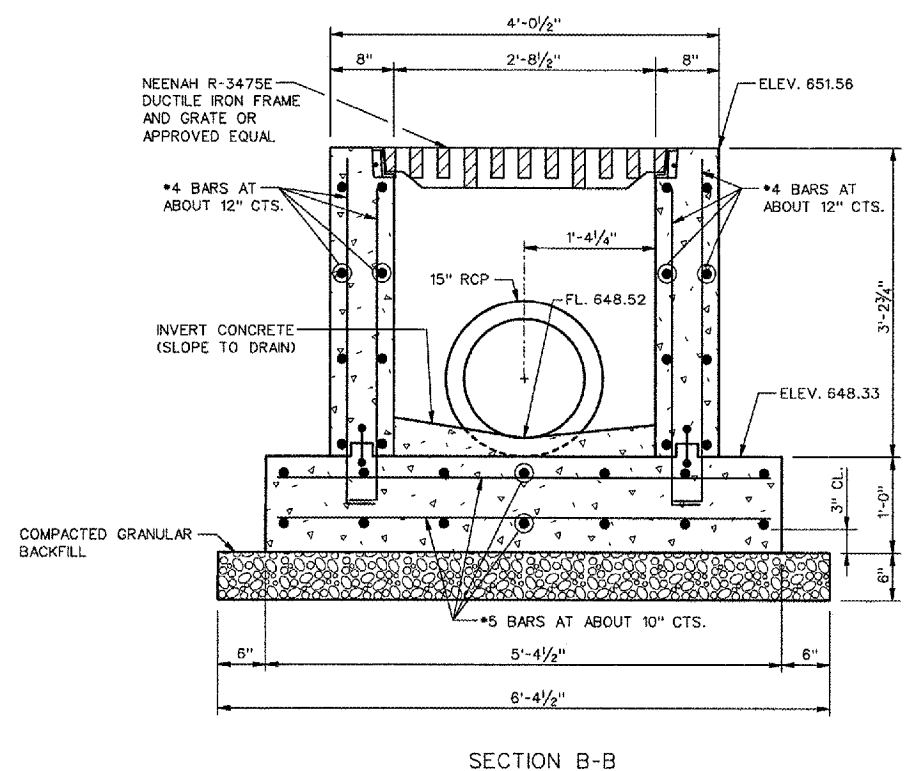
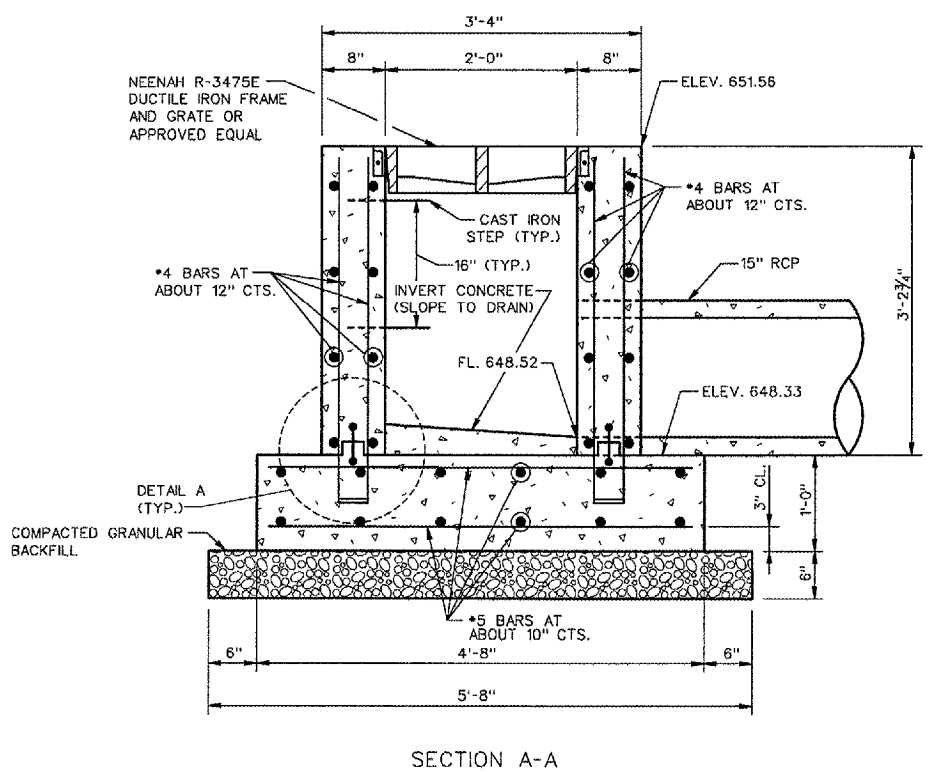
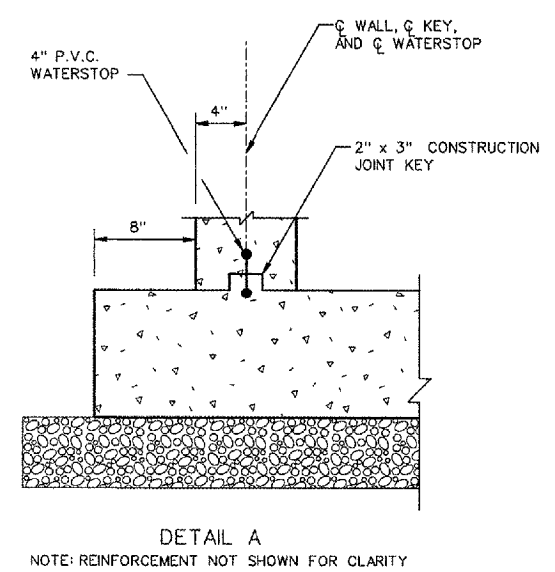
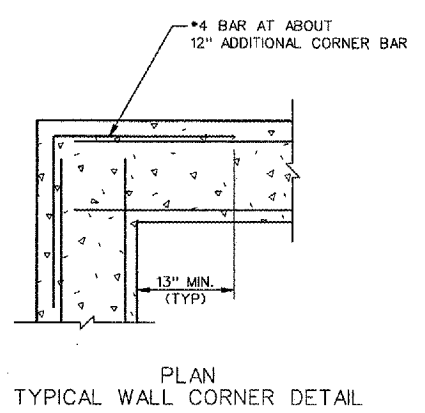
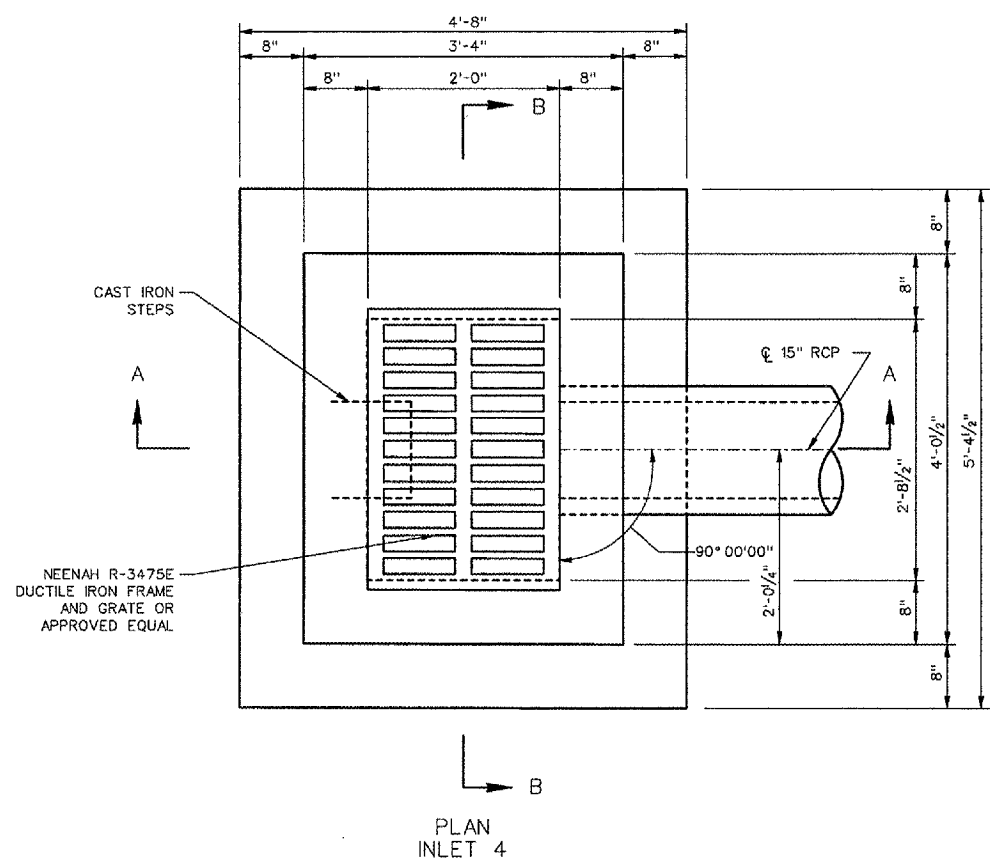
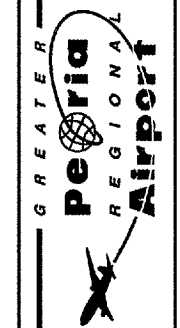


NUMBER	BY	DATE

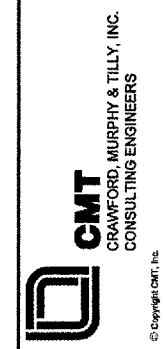
0 1 2
THIS BAR IS EQUAL TO 2" AT FULL SCALE (34X22).
PLOT 1



- NOTES:
1. CAST IN PLACE CONCRETE SHALL HAVE A MINIMUM 28 DAY COMPRESSIVE STRENGTH OF 3000 PSI.
 2. ALL REINFORCEMENT SHALL BE ASTM A615 GRADE 60.
 3. REINFORCING BARS SHALL BE CUT AND/OR BENT AT ALL OPENINGS TO MAINTAIN 1" CLEARANCE FROM PIPES.
 4. MINIMUM CLEARANCE TO REINFORCING STEEL SHALL BE 1/2" UNLESS OTHERWISE SHOWN.
 5. ALL CONCRETE WORK SHALL CONFORM TO ACI-318-02.



RELOCATE TAXIWAY A AND D FROM MID-FIELD INTERSECTION PHASE 2



IL PROJECT: PIA-3616
AIP PROJ: 3-17-0080-XX

FILE: ...1045_drainage_details_6.dgn
DESIGN BY: TCS
DRAWN BY: CAG
CHECKED BY: TCS
APPROVED BY: CET
DATE: JUNE 30, 2006
JOB No: 04081-03-02

DRAINAGE DETAILS
SHEET 4 OF 8

SHEET 45 OF 107 SHEETS

7/13/2006 k:\peoria\040610302\draw\sheet\045_drainage_details_6.dgn

NOTE: THIS DRAWING IS NOT TO SCALE. FOLLOW DIMENSIONS.