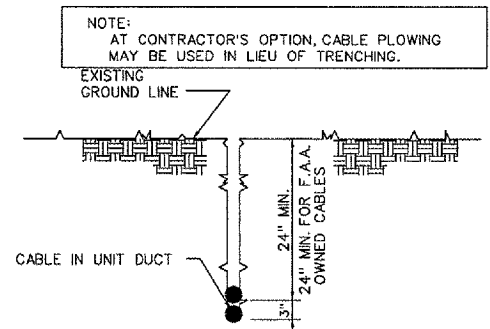
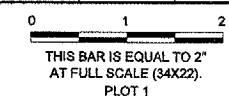
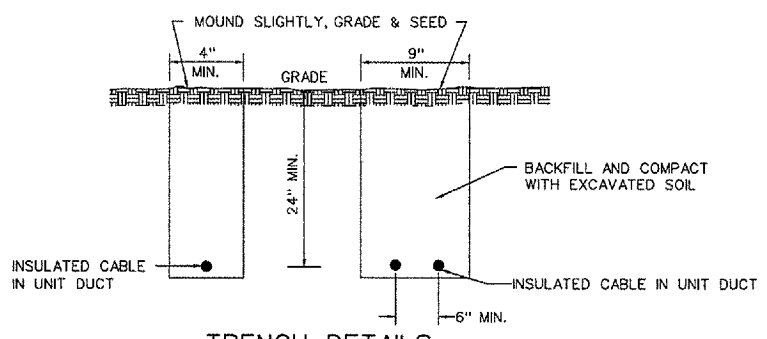


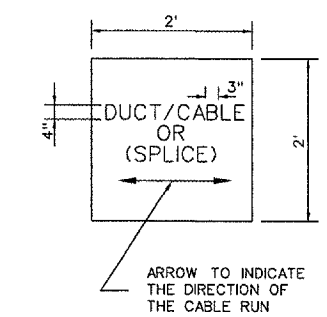
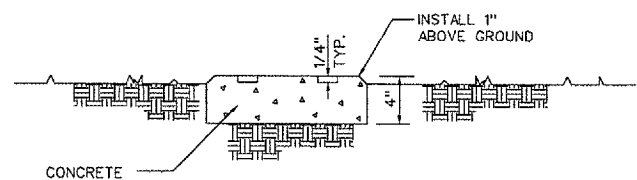
NUMBER	BY	DATE



CABLED IN UNIT-DUCT - PLOWED
N.T.S.

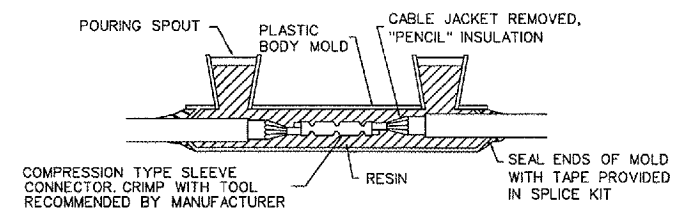


TRENCH DETAILS
NOT TO SCALE

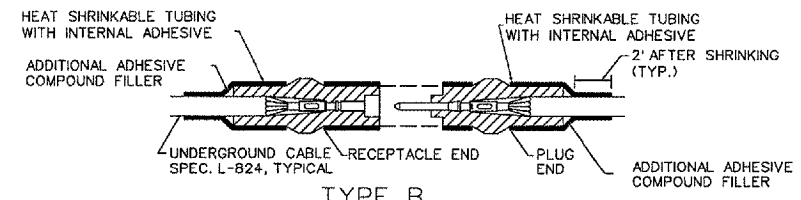


- NOTES:
- 1.) CABLE MARKERS SHALL BE INSTALLED AT ALL BENDS AND EVERY 200' ALONG THE CABLE RUN. SPLICE MARKERS SHALL BE INSTALLED WHEREVER EXISTING CABLES ARE SPLICED.
 - 2.) ITEM 610 CONCRETE SHALL BE USED.
 - 3.) ALL EXPOSED EDGES SHALL BE EDGED WITH A 1/4" RADIUS TOOL.
 - 4.) THE COST OF FURNISHING AND INSTALLING NEW MARKERS SHALL BE INCIDENTAL TO THE ASSOCIATED CABLE ITEMS.
 - 5.) 0.049 CU. YD. CONCRETE PER MARKER.

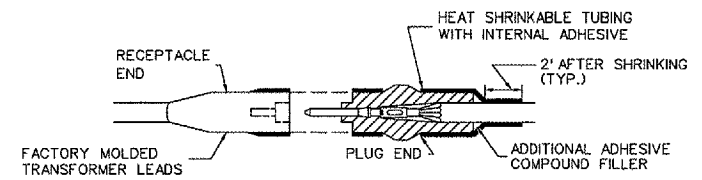
DETAIL - TURF CABLE/DUCT/SPLICE MARKER
NOT TO SCALE



TYPE A
FOR SPLICES IN HOMERUNS AND FOR EXTENSIONS TO EXISTING CABLES ONLY



TYPE B
FOR SPLICES FOR USE AT JUNCTION OF HOMERUN WITH LOOP CIRCUIT

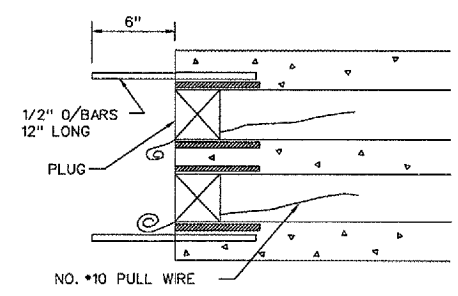


TYPE C
FOR SPLICES AT RUNWAY LIGHTS, TAXIWAY LIGHTS AND SIGNS

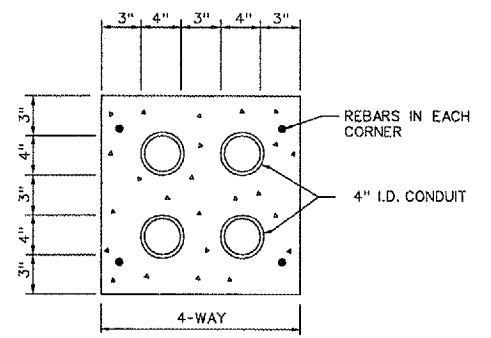
CABLE SPLICES
NOT TO SCALE

NOTES

1. INSIDE DIAMETER OF CONNECTOR SHALL PROPERLY MATCH THE OUTSIDE DIAMETER OF CABLE
2. WRAP WITH AT LEAST ONE LAYER OF RUBBER OR SYNTHETIC RUBBER TAPE AND ONE LAYER OF PLASTIC TAPE, ONE-HALF LAPPED, EXTENDING AT LEAST 1-1/2 INCHES ON EACH SIDE OF JOINT.



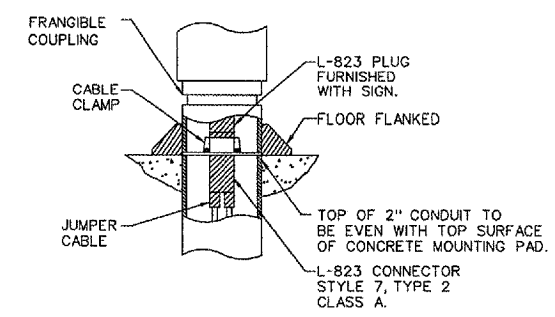
TYPICAL SECTION



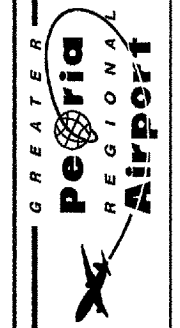
4-WAY CONCRETE ENCASED DUCT

NOTES

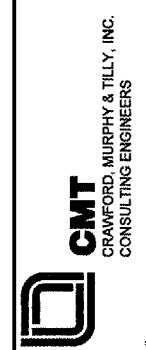
- A. DIMENSIONS SHOWN ARE MINIMUM
- B. TOP OF CONCRETE ENCASEMENT TO BE NOT LESS THAN 24" BELOW FINISHED SUBGRADE
- C. DUCT CONCRETE SHALL BE 610 STRUCTURAL P.C. CONCRETE



ELECTRICAL CONNECTION DETAIL
FIGURE 1



RELOCATE TAXIWAY A AND D FROM MID-FIELD INTERSECTION PHASE 2



IL PROJECT: PIA-3616
AIP PROJ: 3-17-0080-XX

FILE: ...062_Elect_Details_1.dgn

DESIGN BY: TCS

DRAWN BY: CAG

CHECKED BY: TCS

APPROVED BY: CET

DATE: JUNE 30, 2006

JOB No: 04061-03-02

**ELECTRICAL
DETAILS
SHEET 1 OF 4**

SHEET 63 OF 107 SHEETS

7/13/2006 K:\Peoria\040610302\Draw\Sheets\062_Elect_Details_1.dgn