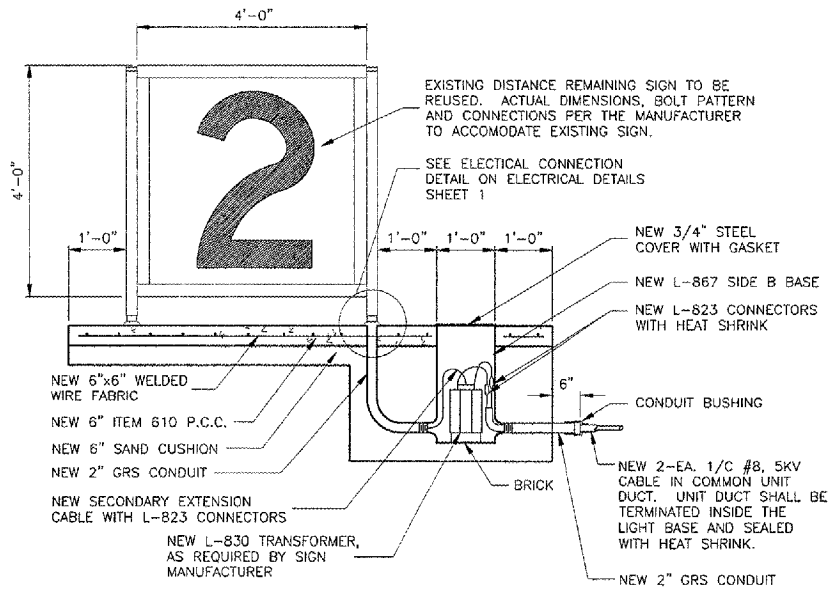
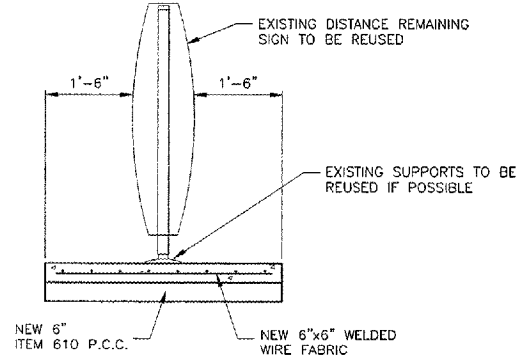


REVISIONS		
NUMBER	BY	DATE

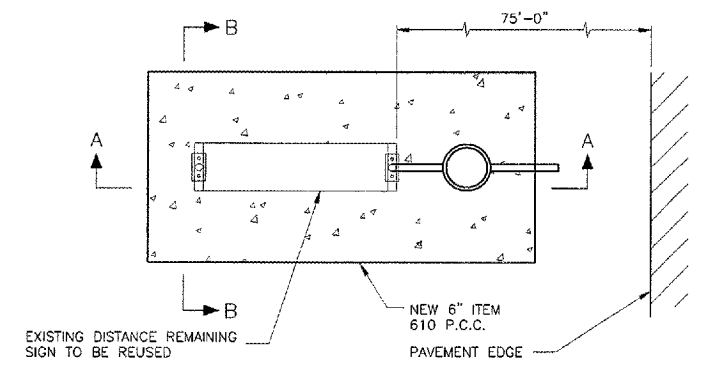
0 1 2  
THIS BAR IS EQUAL TO 2" AT FULL SCALE (34X22) PLOT 1



SECTION A-A

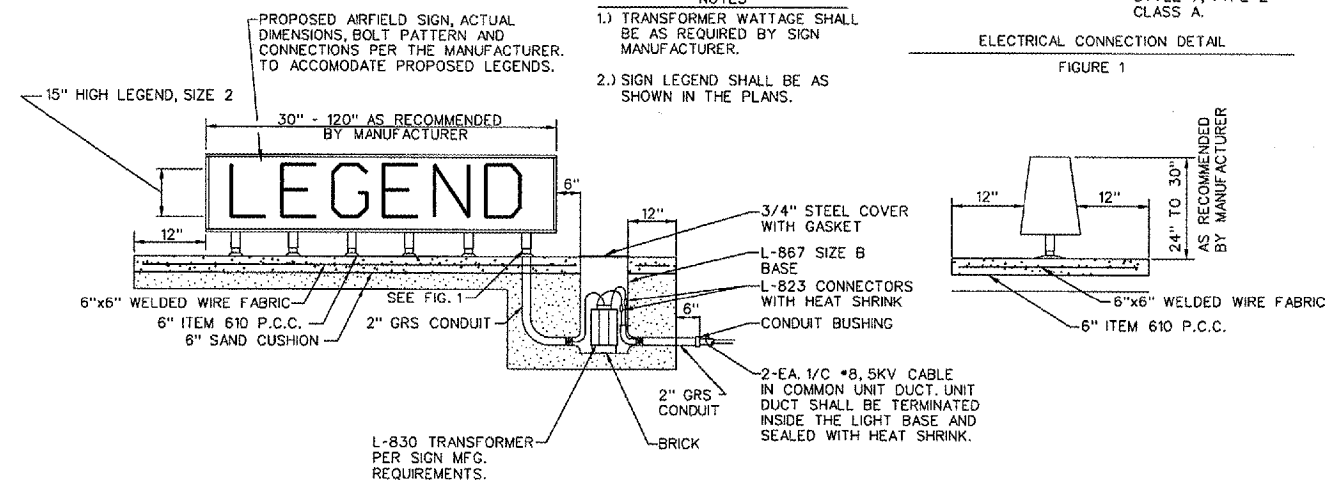
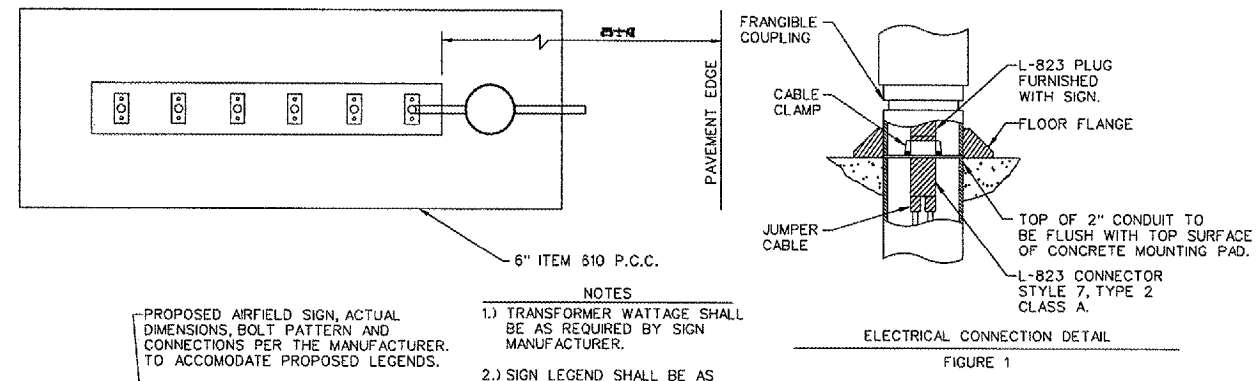


SECTION B-B



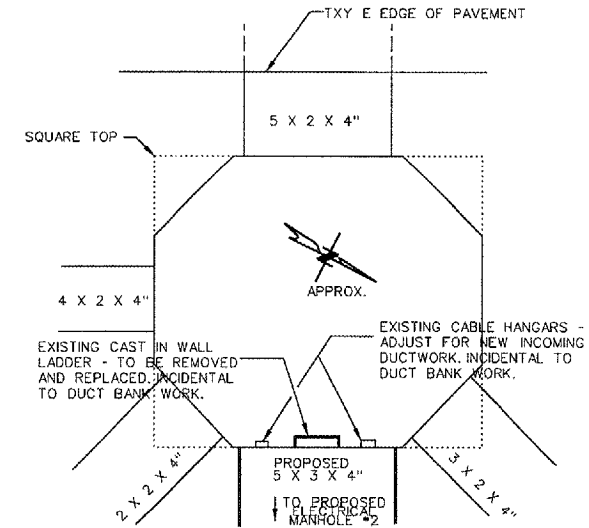
PLAN

RELOCATED DISTANCE REMAINING SIGN DETAILS  
N.T.S.

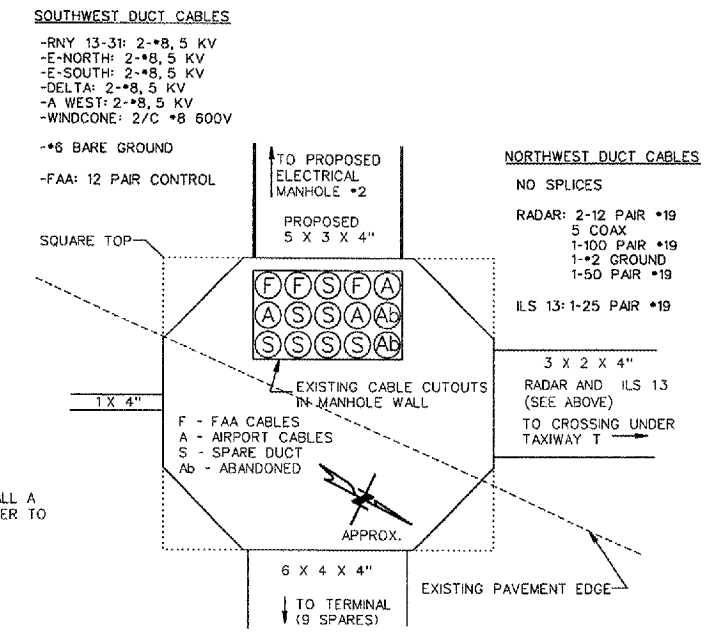


L-858Y, L, R AIRFIELD SIGN DETAIL  
NOT TO SCALE

L-858Y GUIDANCE - BLACK LEGEND ON YELLOW BACKGROUND  
L-858L LOCATION - YELLOW LEGEND AND BORDER ON A BLACK BACKGROUND  
L-858R MANDATORY - WHITE LEGEND ON A RED BACKGROUND

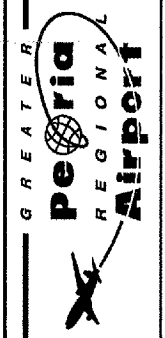


EXISTING ELECTRICAL MANHOLE #3  
NOT TO SCALE



EXISTING ELECTRICAL MANHOLE #1  
NOT TO SCALE

NOTE: CONTRACTOR SHALL INSTALL A DETACHABLE "HOOK" TYPE LADDER TO BE INCIDENTAL TO DUCT BANK CONSTRUCTION.



RELOCATE TAXIWAYS A AND D FROM MID-FIELD INTERSECTION PHASE 2



IL PROJECT: PIA-3616  
AIP PROJ: 3-17-0080-XX

FILE: ...\\Sheets\035\_Elect\_Details\_2.dgn  
DESIGN BY: TCS  
DRAWN BY: CAG  
CHECKED BY: TCS  
APPROVED BY: CET  
DATE: JUNE 30, 2006  
JOB No: 04061-03-03

ELECTRICAL DETAILS  
SHEET 3 OF 4

SHEET 65 OF 116 SHEETS

7/13/2006 K:\Peoria\0406103\_03\Draw\Sheets\035\_Elect\_Details\_2.dgn