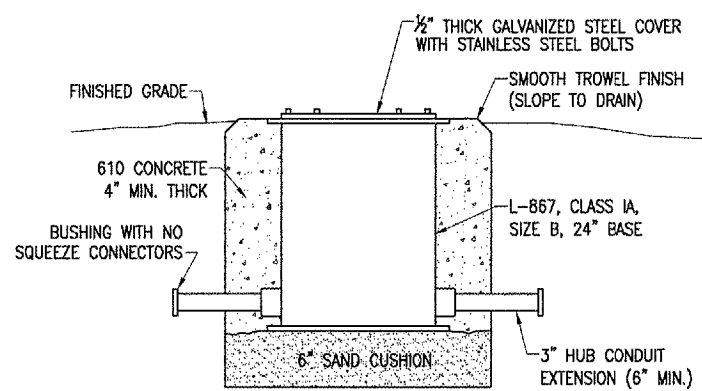
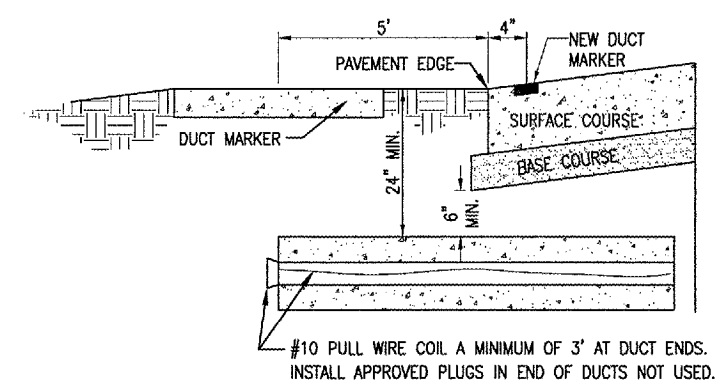


JUL 11, 2006 11:17 PM RAW  
 I:\AIRPORTS\QUINCY\82406TYCD\AIRPORT\SHEETS\R-54\ELEC.DWG - ELEC. DETAILS

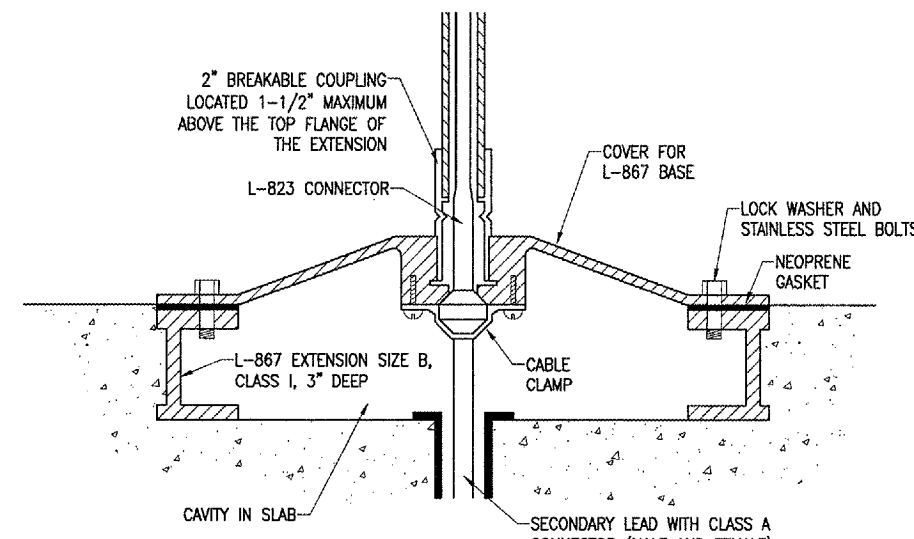


**SPLICE CAN DETAIL**  
(NOT TO SCALE)

INCLUDE INTERNAL AND EXTERNAL GROUND LUGS



**UNDERGROUND ELECTRICAL DUCT**  
(NOT TO SCALE)



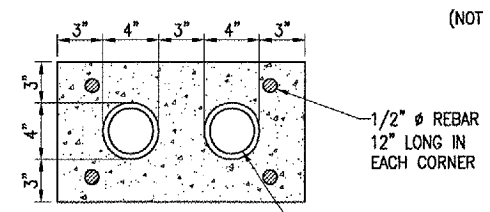
**DETAIL "A"**  
(NOT TO SCALE)

**NOTE:**  
 THE COST OF ALL TURF AND PAVEMENT DUCT MARKERS SHALL BE INCIDENTAL TO THE DUCT. THE COST OF ALL CABLE MARKERS SHALL BE INCIDENTAL TO THE CABLE.

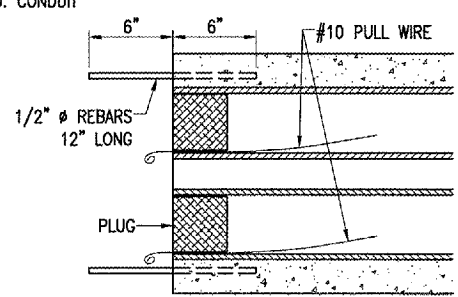
BITUMINOUS PAVEMENT DUCT MARKER AND CONCRETE DUCT MARKER TO BE PROVIDED AT EACH END OF EACH DUCT AS SHOWN ON THE LOCATION PLAN. FOR CONCRETE PAVEMENT, THE LETTER "D" SHALL BE IMPRESSED IN THE PAVEMENT INSTEAD OF THE MARKER. THE LETTER SHALL BE INFORMED AS DESCRIBED IN NOTE 4.

CABLE MARKERS SHALL BE PLACED AT CHANGES OF DIRECTION AND APPROXIMATELY EVERY 200' ALONG CABLE RUNS.

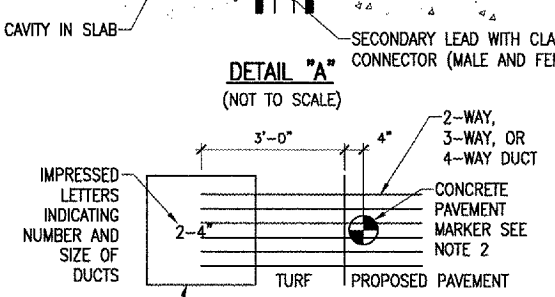
LETTERS 4" HIGH, 3" WIDE WITH WIDTH OF STROKE 1/2" AND 1/4" DEEP. ALL LETTERS, NUMBERS AND ARROWS TO BE IMPRESSED.



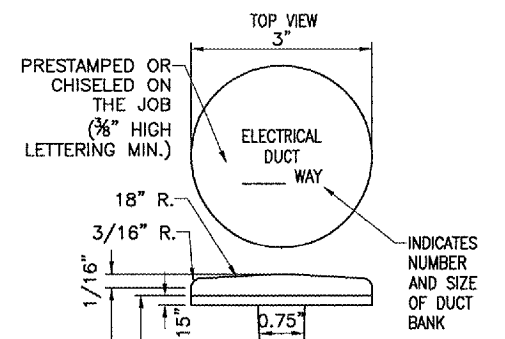
**2-DUCT BANK**  
(NOT TO SCALE)



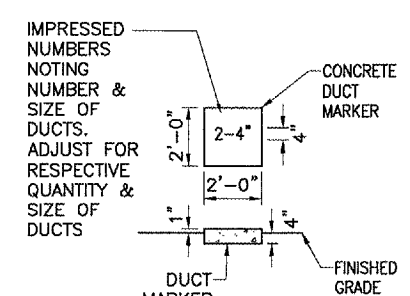
**TYPICAL SECTION**  
(NOT TO SCALE)



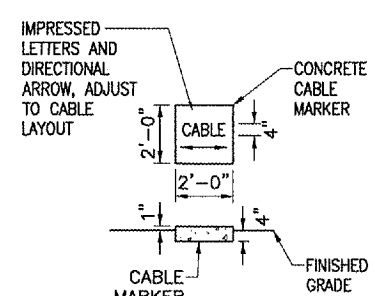
**DUCT MARKER DETAIL**  
"NOT TO SCALE"



**BITUMINOUS PAVEMENT DUCT MARKERS**  
"NOT TO SCALE"



**TURF DUCT MARKERS**  
"NOT TO SCALE"



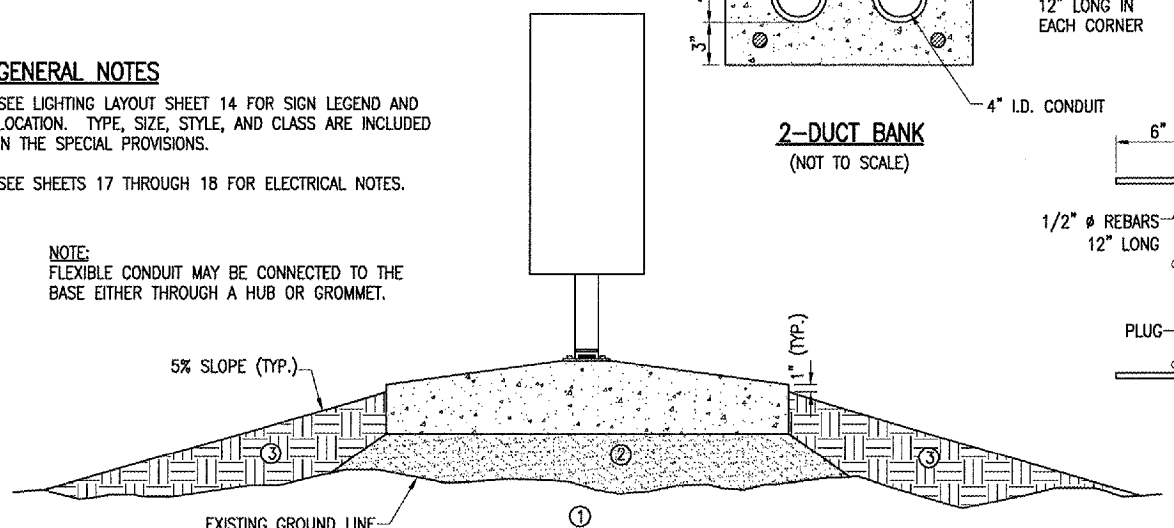
**TURF CABLE MARKERS**  
"NOT TO SCALE"

**NOTE:**  
 TOP OF MARKER SHALL BE FLUSH WITH FINISHED PAVEMENT SURFACE. MARKER WILL BE INSTALLED IN A DRILLED HOLE AND SECURED WITH EPOXY GLUE.

**GENERAL NOTES**  
 SEE LIGHTING LAYOUT SHEET 14 FOR SIGN LEGEND AND LOCATION. TYPE, SIZE, STYLE, AND CLASS ARE INCLUDED IN THE SPECIAL PROVISIONS.

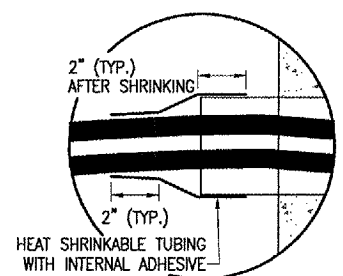
SEE SHEETS 17 THROUGH 18 FOR ELECTRICAL NOTES.

**NOTE:**  
 FLEXIBLE CONDUIT MAY BE CONNECTED TO THE BASE EITHER THROUGH A HUB OR GROMMET.



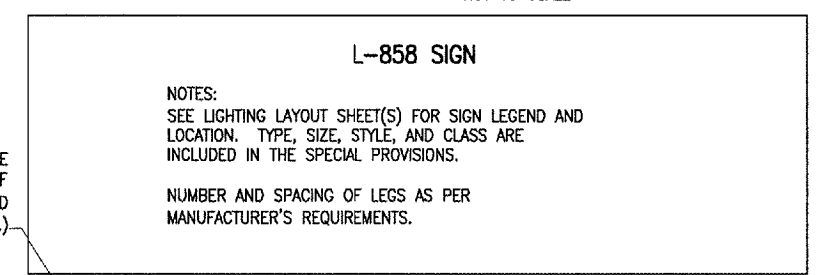
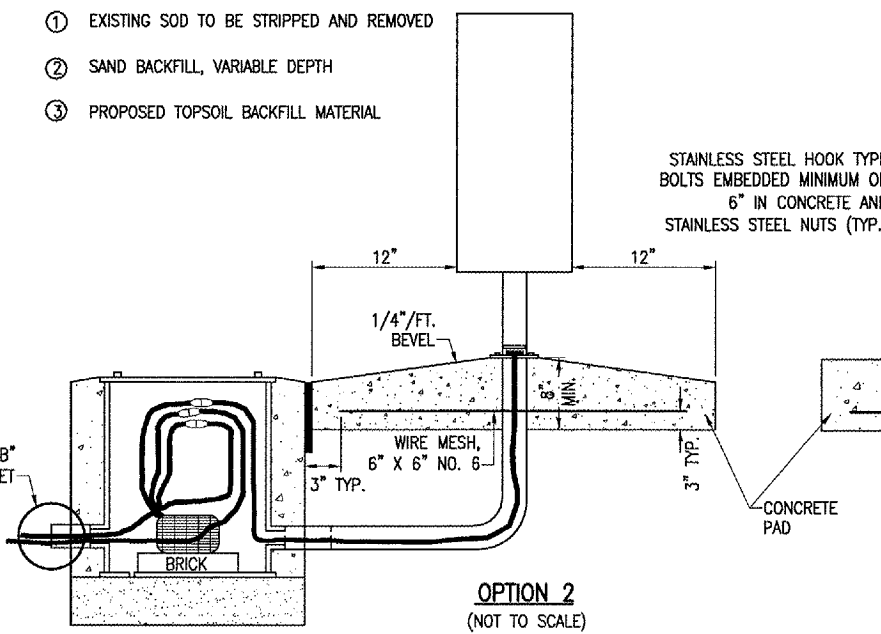
**SIGN DETAIL**  
(NOT TO SCALE)

- ① EXISTING SOD TO BE STRIPPED AND REMOVED
- ② SAND BACKFILL, VARIABLE DEPTH
- ③ PROPOSED TOPSOIL BACKFILL MATERIAL



**DETAIL "B"**  
(NOT TO SCALE)

SEE DETAIL "B" ON THIS SHEET

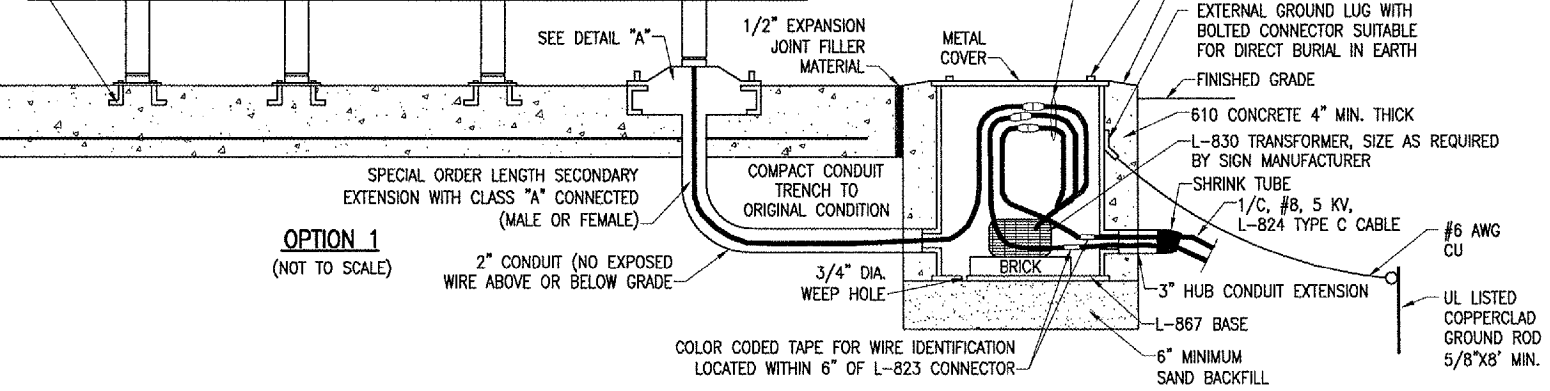


**NOTES:**  
 SEE LIGHTING LAYOUT SHEET(S) FOR SIGN LEGEND AND LOCATION. TYPE, SIZE, STYLE, AND CLASS ARE INCLUDED IN THE SPECIAL PROVISIONS.

NUMBER AND SPACING OF LEGS AS PER MANUFACTURER'S REQUIREMENTS.

**OPTION 1**  
(NOT TO SCALE)

**OPTION 2**  
(NOT TO SCALE)



BY	
REVISION	
DATE	

QUINCY REGIONAL AIRPORT  
 BALDWIN FIELD  
 ADAMS COUNTY, ILLINOIS

Project No.	82406TYCD 0240
Revision	R-54/ELEC.DWG.
Scale	N/A
Date	06/19/06
LAYOUT	RAW 06/19/06
DRAWN	BAK 06/19/06
REVIEWED	RAW 07/12/06

**HANSON**  
 Hanson Professional Services Inc.  
 1626 South Sixth Street  
 Springfield, IL 62768  
 Offices Nationwide

REALIGN AND WIDEN TAXIWAY "C"  
 PROPOSED ELECTRICAL DETAILS