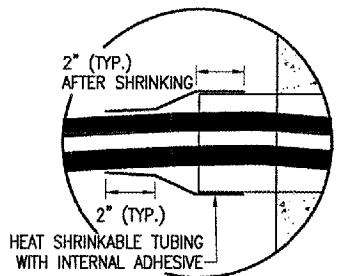


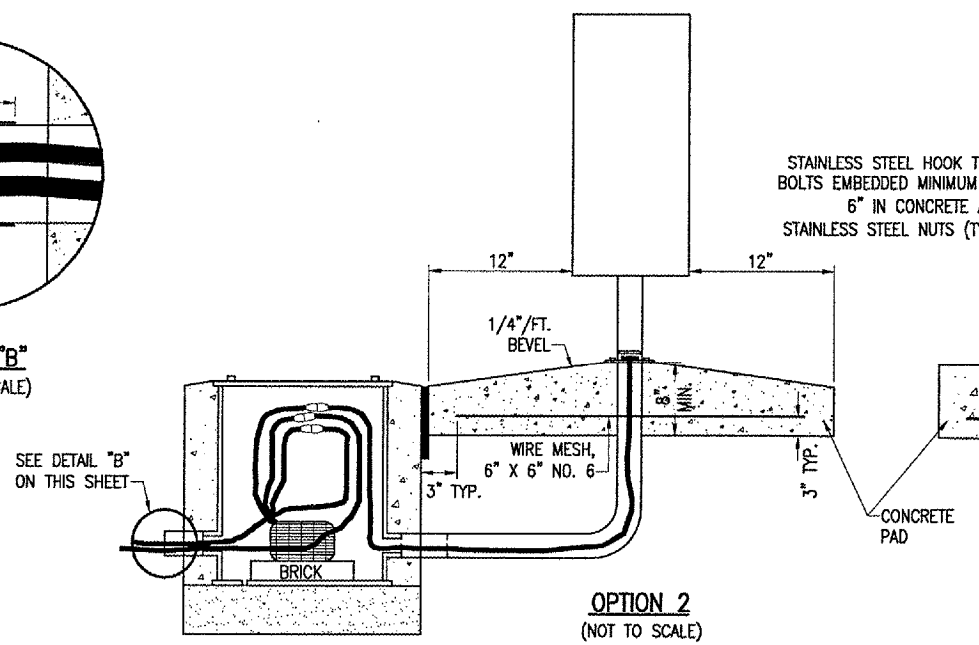
THE LOCATION OF UNDERGROUND UTILITIES AS INDICATED ON THE PLANS HAS BEEN OBTAINED FROM EXISTING RECORDS. NEITHER THE OWNER NOR THE ENGINEER ASSUMES ANY RESPONSIBILITY WHATSOEVER, IN RESPECT TO THE ACCURACY OR SUFFICIENCY OF THE INFORMATION AND THERE IS NO GUARANTEE, EITHER EXPRESSED OR IMPLIED, THAT THE CONDITIONS ARE REPRESENTATIVE OF THOSE TO BE ENCOUNTERED IN THE CONSTRUCTION.

**L-858 SIGN**

NOTES:  
SEE LIGHTING LAYOUT SHEET(S) FOR SIGN LEGEND, LOCATION, TYPE, SIZE, STYLE, AND CLASS.  
NUMBER AND SPACING OF LEGS AS PER MANUFACTURER'S REQUIREMENTS.

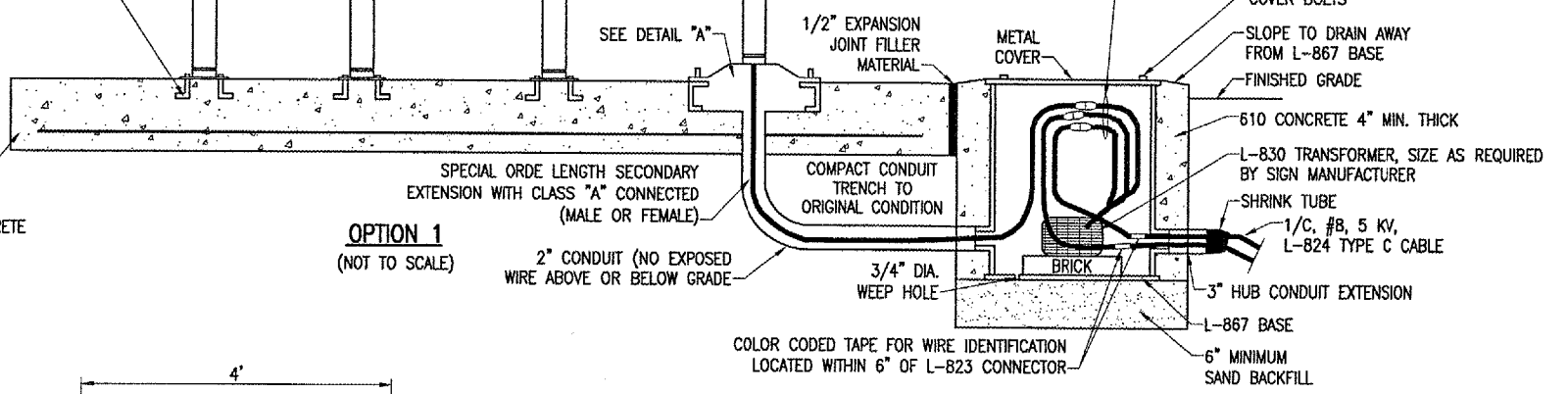


**DETAIL "B"**  
(NOT TO SCALE)

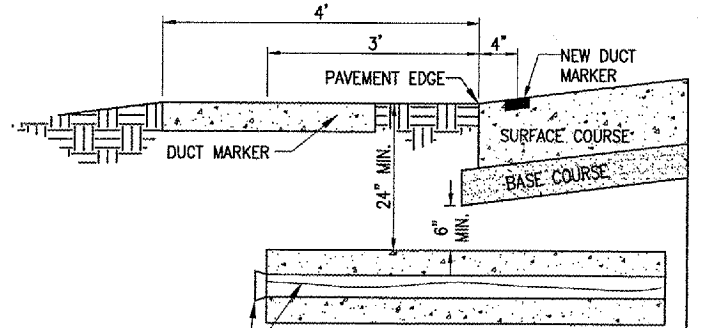


**OPTION 1**  
(NOT TO SCALE)

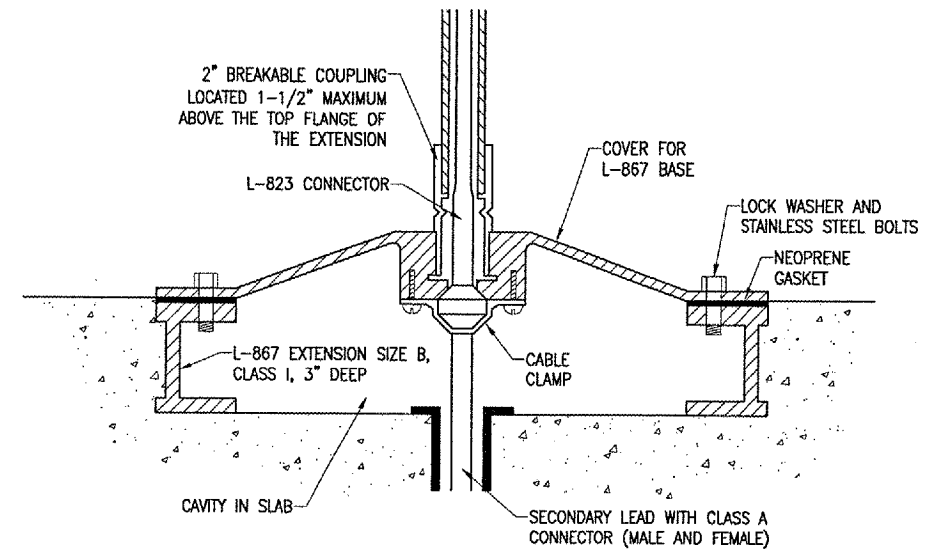
**OPTION 2**  
(NOT TO SCALE)



**DETAIL "A"**  
(NOT TO SCALE)

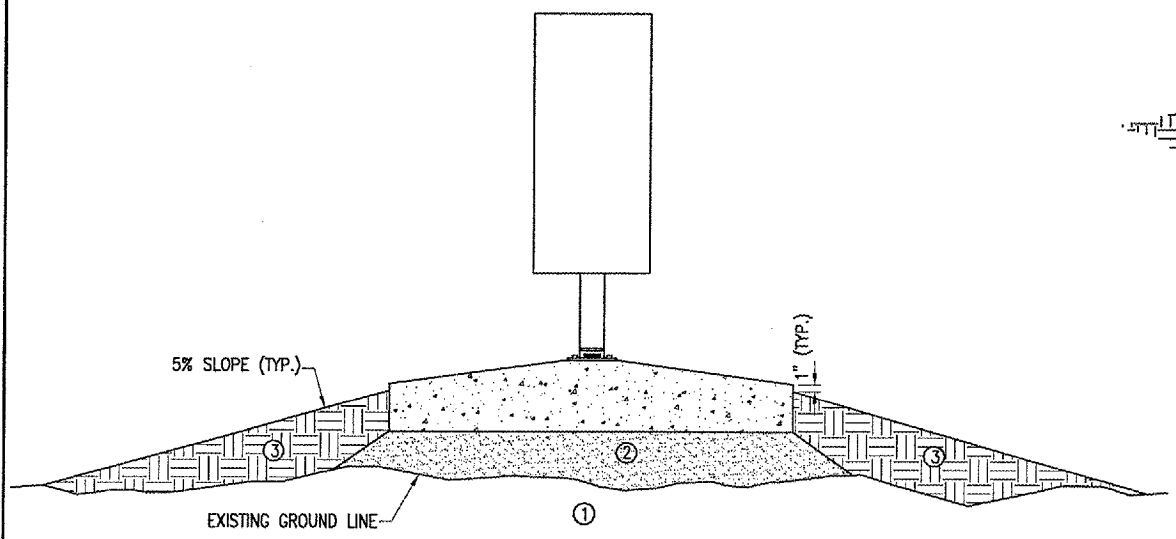


**UNDERGROUND ELECTRICAL DUCT**  
(NOT TO SCALE)



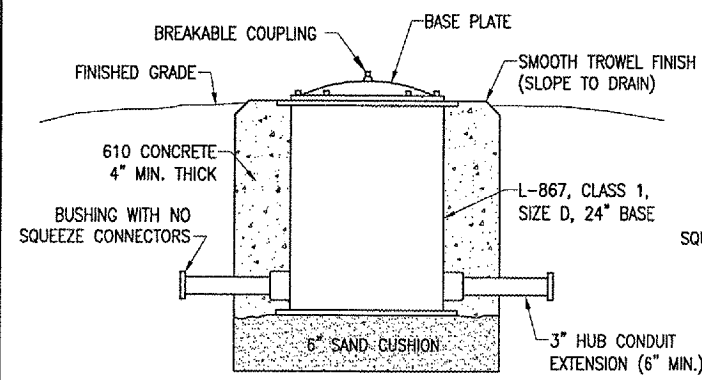
**GENERAL NOTES**

SEE LIGHTING LAYOUT SHEET FOR SIGN LEGEND, LOCATION, TYPE, SIZE, STYLE, AND CLASS.  
SEE SHEETS 10 THROUGH 11 FOR ELECTRICAL NOTES.

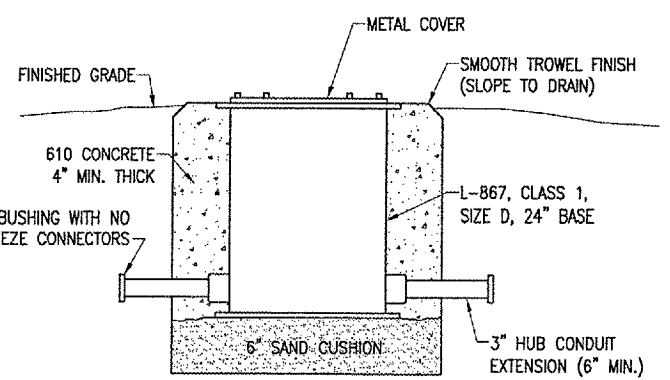


**SIGN DETAIL**  
(NOT TO SCALE)

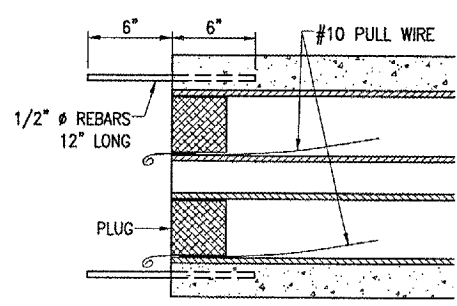
- ① EXISTING SOD TO BE STRIPPED AND REMOVED
- ② SAND BACKFILL, VARIABLE DEPTH
- ③ PROPOSED TOPSOIL BACKFILL MATERIAL



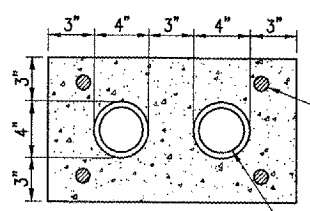
**REIL BASE DETAIL**  
(NOT TO SCALE)



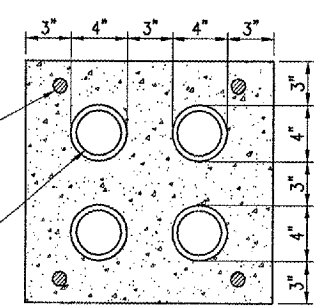
**SPLICE CAN DETAIL**  
(NOT TO SCALE)



**TYPICAL SECTION**  
(NOT TO SCALE)



**2-DUCT BANK**  
(NOT TO SCALE)



**4-DUCT BANK**  
(NOT TO SCALE)

JUN 29, 2006 3:46 PM BAK  
I:\AIRPORTS\QUINCY\B2406RWY\AIRPORT SHEETS\R-541ELE.DWG - Layout1

BY	
REVISION	
DATE	
<p>QUINCY REGIONAL AIRPORT BALDWIN FIELD ADAMS COUNTY, ILLINOIS</p> <p>QUINCY Regional Airport BALDWIN FIELD</p>	
PROJECT	QUIN-3619
PROJ. NO.	3-17-0085-XX
REL. PROJECT NO.	B24-06RWYD-0240
DATE	09/06/06
SCALE	NOT TO SCALE
LAYOUT	BAK 06/06/06
DRAWN	BAK 06/06/06
REVIEWED	CAH 06/15/06
<p><b>HANSON</b></p> <p>Hanson Professional Services Inc. 1625 South Sixth Street Springfield, Illinois 62703-2886 Chicago Nationwide</p>	
<p><b>RUNWAY 13-31 SAFETY AREA IMPROVEMENTS</b></p> <p>PROPOSED ELECTRICAL DETAILS</p>	
<p><b>8</b></p> <p>8 of 11 sheets</p>	