

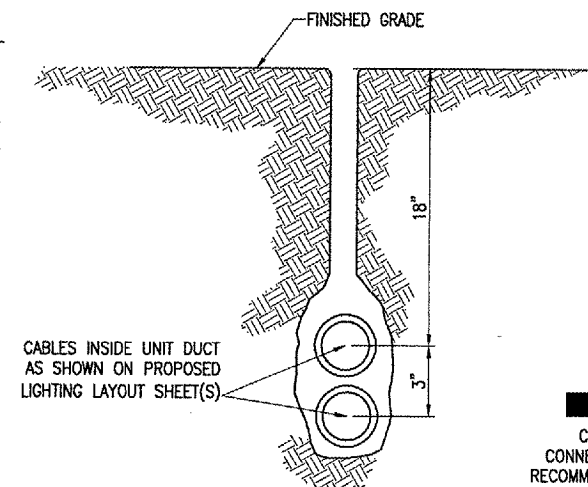
NOTES:
DETAIL NUMBERS INDICATE NO. OF CABLES.

TRENCHES WITH MORE THAN SEVEN CABLES SHALL BE INCREASED 3" IN WIDTH FOR EACH ADDITIONAL CABLE; IF SPECIFIED ON PLANS TWO PARALLEL TRENCHES MAY BE CONSTRUCTED.

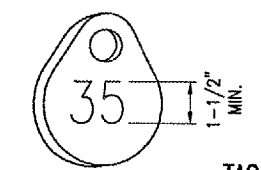
DEPTH OF TRENCHES SHALL BE AS SHOWN ABOVE UNLESS OTHERWISE SPECIFIED ON THE PLANS.

ALL DISTURBED SURFACES SHALL BE RESTORED TO THEIR ORIGINAL CONDITION. COST IS INCIDENTAL TO TRENCH.

EARTH BACKFILL WILL HAVE MAXIMUM 1" SIZE PARTICLES AND WILL BE PLACED IN TWO LIFTS AS APPROXIMATELY SHOWN (TYPICAL FOR ALL TRENCHES)

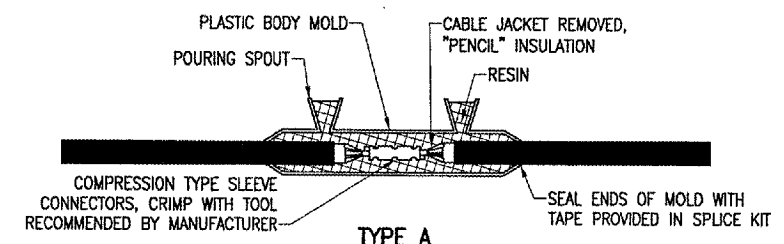


PLOWED CABLE
(NOT TO SCALE)



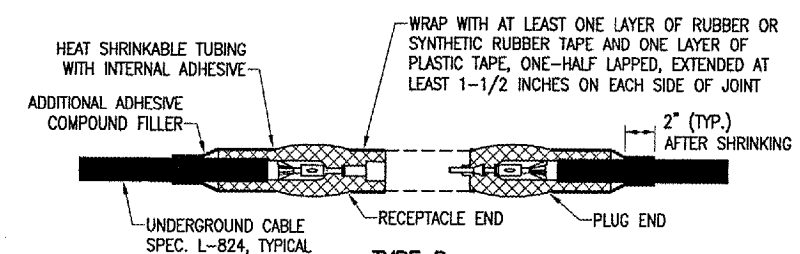
TAG DETAIL
(NOT TO SCALE)

NOTE:
AFFIX NON-CORROSIVE TAG TO FIXTURE FACING RUNWAY WITH SET SCREW, WIRE TIE, OR METAL BAND. NUMERALS SHALL BE ENGRAVED FOR PERMANENT READABILITY.



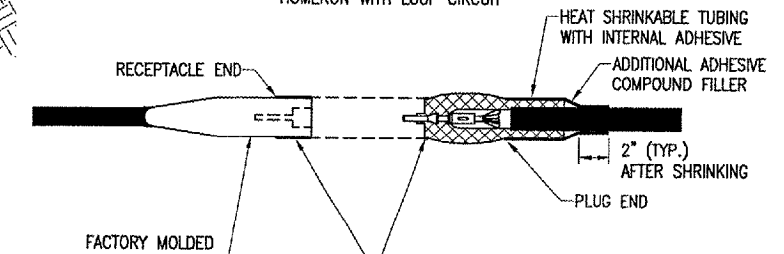
TYPE A

FOR SPLICES IN HOMERUNS FOR EXTENSIONS TO EXISTING CABLES ONLY



TYPE B

FOR SPLICES AT JUNCTION OF HOMERUN WITH LOOP CIRCUIT



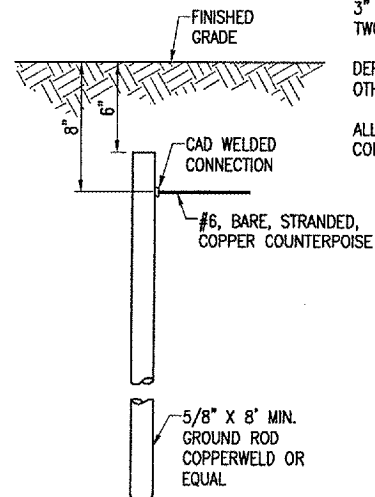
TYPE C

FOR SPLICES AT RUNWAY LIGHTS

NOTES:
SEE PROPOSED LIGHTING LAYOUT SHEET(S) FOR SPLICE TYPE.

INSIDE DIAMETER OF CONNECTOR SHALL PROPERLY MATCH THE OUTSIDE DIAMETER OF CABLE.

CABLE SPLICES
(NOT TO SCALE)



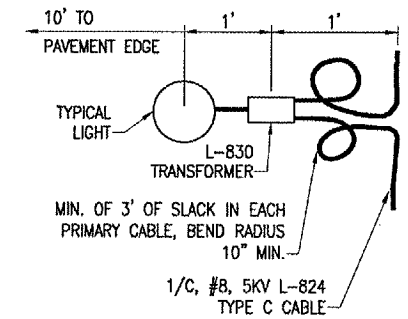
NOTES:
TYPE AND MINIMUM NUMBER OF GROUND RODS SHALL BE AS SPECIFIED ON THE PLAN.

THE RESISTANCE TO GROUND OF THE COUNTERPOISE GROUNDING SYSTEM SHALL NOT EXCEED 25 OHMS.

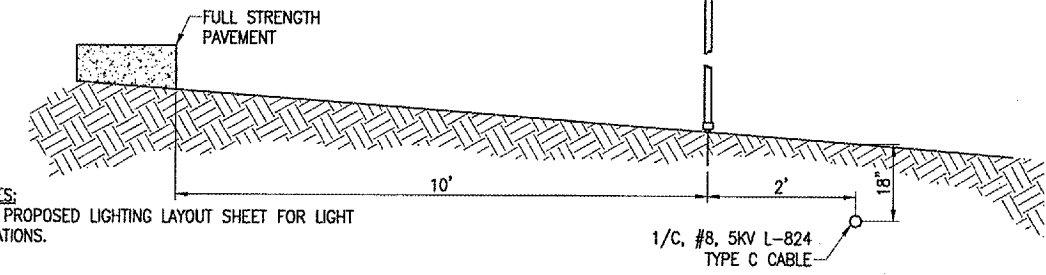
COST OF GROUND RODS IS INCIDENTAL TO THE ASSOCIATED ITEMS REQUIRING GROUNDING UNLESS OTHERWISE SPECIFIED.

GROUND ROD
(NOT TO SCALE)

CABLE TRENCHES
(NOT TO SCALE)

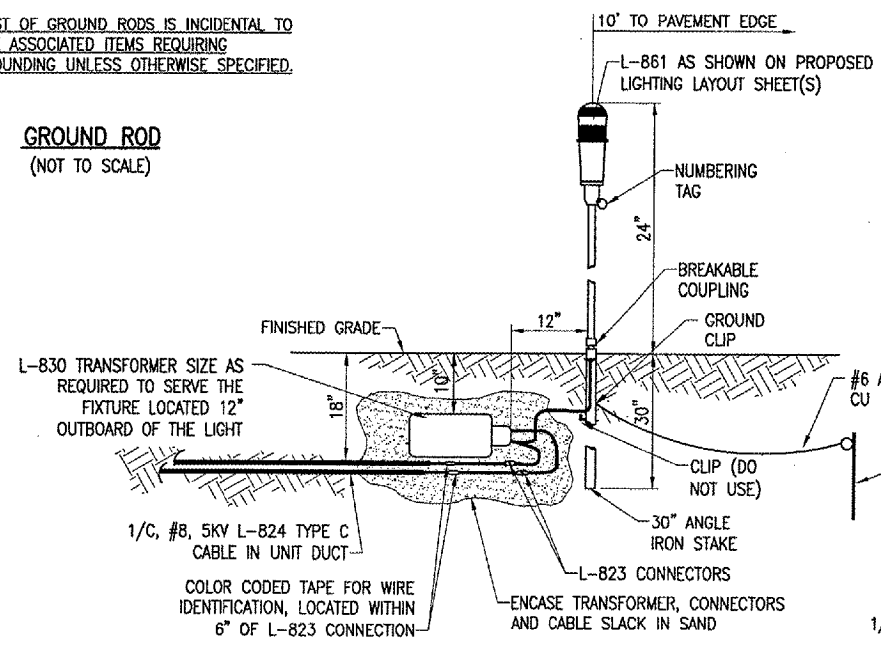


PLAN VIEW

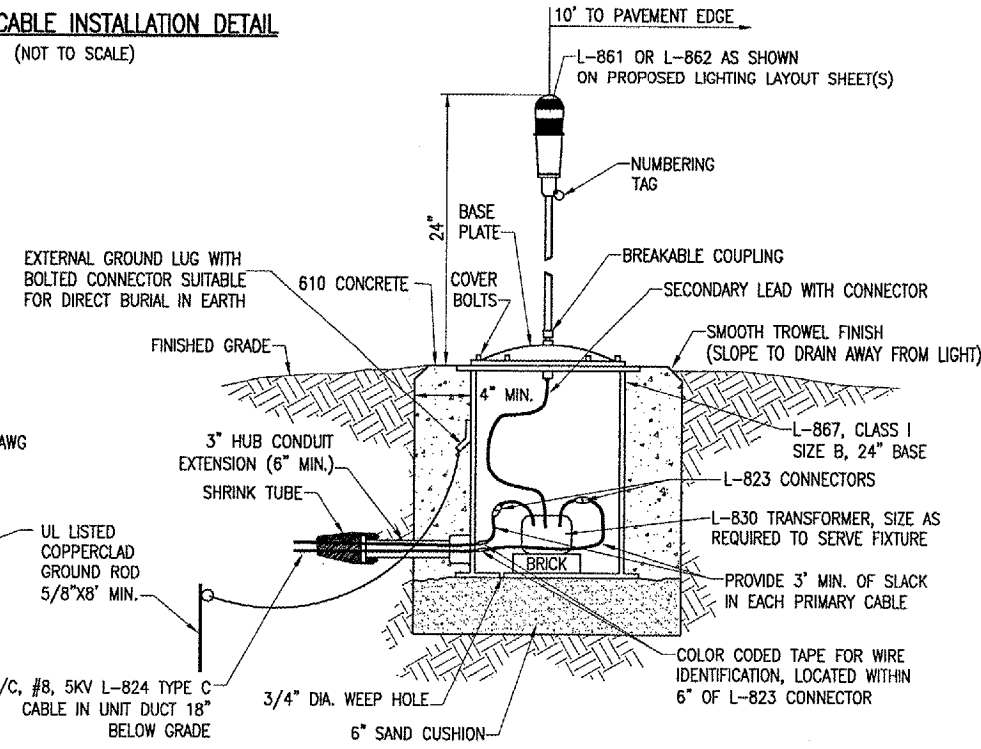


LIGHT AND CABLE INSTALLATION DETAIL
(NOT TO SCALE)

PROFILE VIEW



MEDIUM INTENSITY LIGHT - STAKE MOUNTED
(NOT TO SCALE)



MEDIUM/HIGH INTENSITY LIGHT - BASE MOUNTED
(NOT TO SCALE)

BY	
REVISION	
DATE	
QUINCY REGIONAL AIRPORT BALDWIN FIELD ADAMS COUNTY, ILLINOIS	
A.I.P. PROJ.: 3-17-0085-XX	
IL PROJ.: UN-3619	
HEI Project No.	824-06RWTD 0240
Figure	R-542ELE.DWG
Scale	NOT TO SCALE
Date	06/06/06
LAYOUT	BAK 06/06/06
DRAWN	BAK 06/06/06
REVIEWED	CAH 06/15/06

HANSON
Hanson Professional Services Inc.
1525 South Sixth Street
Springfield, Illinois 62703-2886
Chicago, Illinois

RUNWAY 13-31 SAFETY AREA IMPROVEMENTS
PROPOSED ELECTRICAL DETAILS