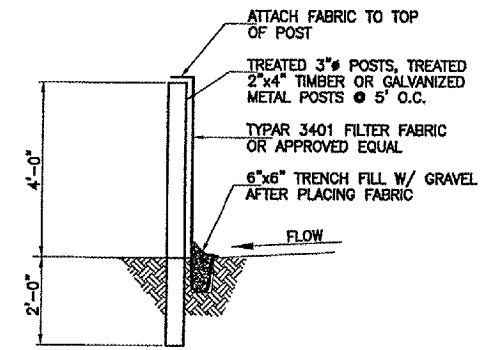
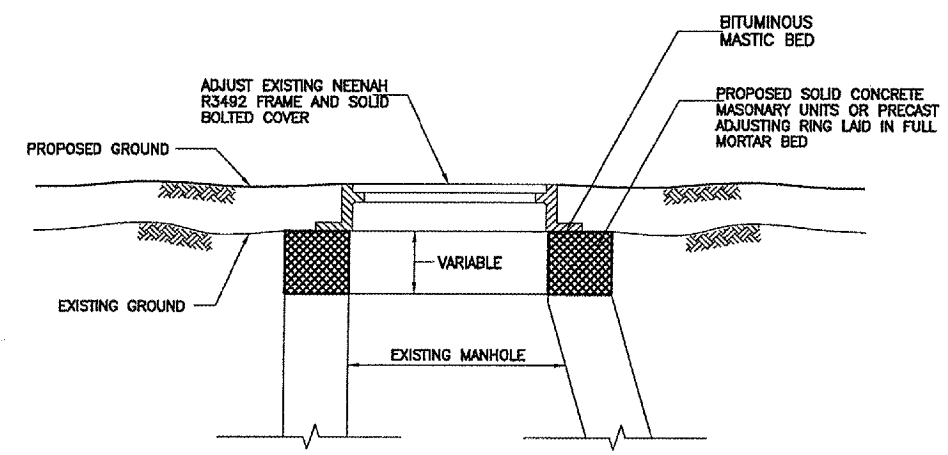


INLET SPECIAL, ITEM 751415

- NOTES :
1. INLET SPECIAL SHALL INCLUDE FRAME WITH SINGLE GRATE OF TYPE SIMILAR AND EQUAL TO NO. R 3475 AS SHOWN BY CATALOG "R" ELEVENTH EDITION OF NEENAH FOUNDRY CO.
 2. REMOVE BOLTS THAT HOLD THE GRATE TO THE FRAME AND DO NOT REINSTALL.

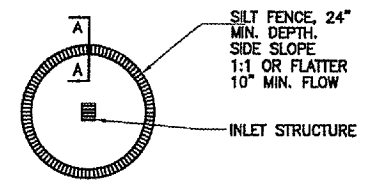


SECTION A-A
SILT FENCE DETAIL
NOT TO SCALE



TYPICAL DETAIL -- MANHOLE
ADJUST -- IN TURF

ELECTRICAL MANHOLE AT STA. 32+32, LT. 75':
 EXISTING LID = 582.74'
 PROPOSED LID = 582.85'



TEMPORARY SEDIMENT TRAP
AT ALL INLET STRUCTURES

G:\airport\A05T034CHARLIE\MISC.dwg, 6/27/2006 10:49:42 AM, jeffm