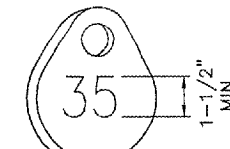
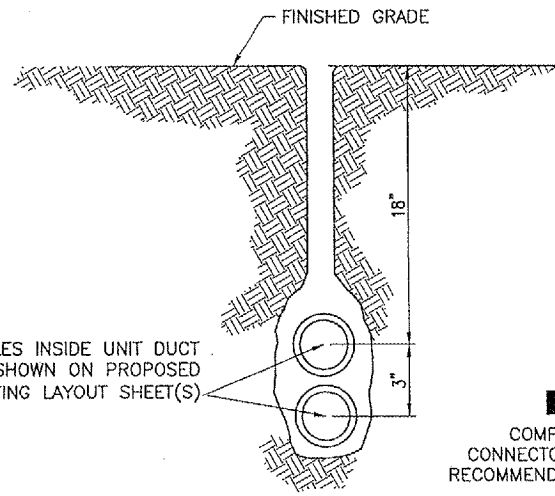


NOTES:
DETAIL NUMBERS INDICATE NO. OF CABLES.

TRENCHES WITH MORE THAN SEVEN CABLES SHALL BE INCREASED 3" IN WIDTH FOR EACH ADDITIONAL CABLE; IF SPECIFIED ON PLANS TWO PARALLEL TRENCHES MAY BE CONSTRUCTED.

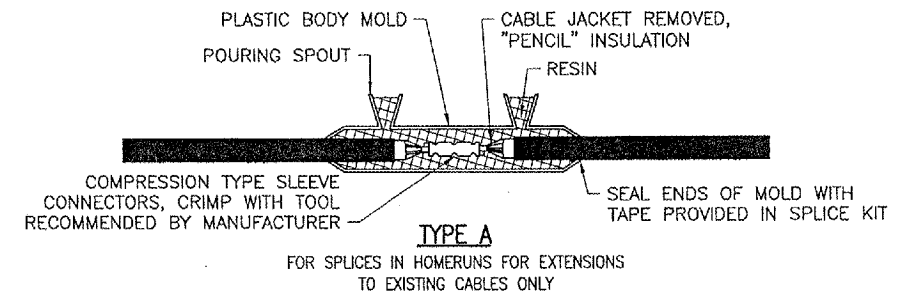
DEPTH OF TRENCHES SHALL BE AS SHOWN ABOVE UNLESS OTHERWISE SPECIFIED ON THE PLANS.

ALL DISTURBED SURFACES SHALL BE RESTORED TO THEIR ORIGINAL CONDITION. COST IS INCIDENTAL TO TRENCH.



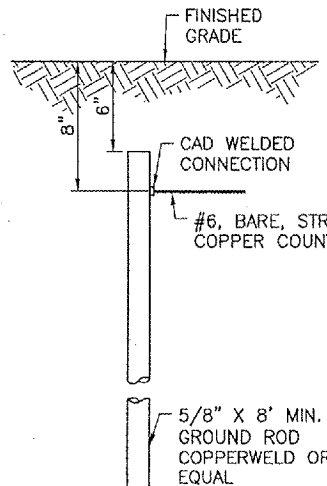
NOTE:
AFFIX NON-CORROSIVE TAG TO FIXTURE FACING RUNWAY WITH SET SCREW, WIRE TIE, OR METAL BAND. NUMERALS SHALL BE ENGRAVED FOR PERMANENT READABILITY.

TAG DETAIL
(NOT TO SCALE)



TYPE A

FOR SPLICES IN HOMERUNS FOR EXTENSIONS TO EXISTING CABLES ONLY

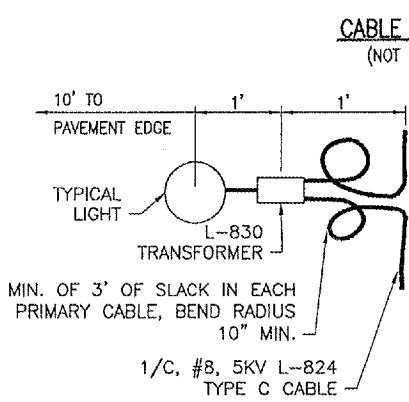


NOTES:
TYPE AND MINIMUM NUMBER OF GROUND RODS SHALL BE AS SPECIFIED ON THE PLAN.

THE RESISTANCE TO GROUND OF THE COUNTERPOISE GROUNDING SYSTEM SHALL NOT EXCEED 25 OHMS.

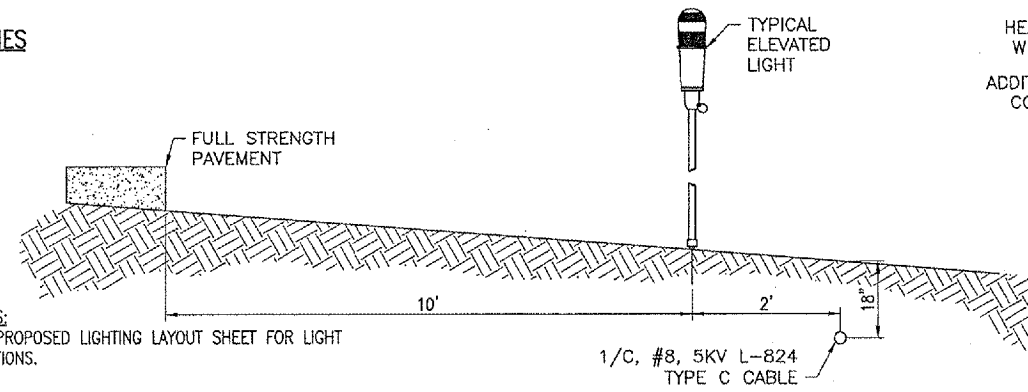
COST OF GROUND RODS IS INCIDENTAL TO THE ASSOCIATED ITEMS REQUIRING GROUNDING UNLESS OTHERWISE SPECIFIED.

GROUND ROD
(NOT TO SCALE)



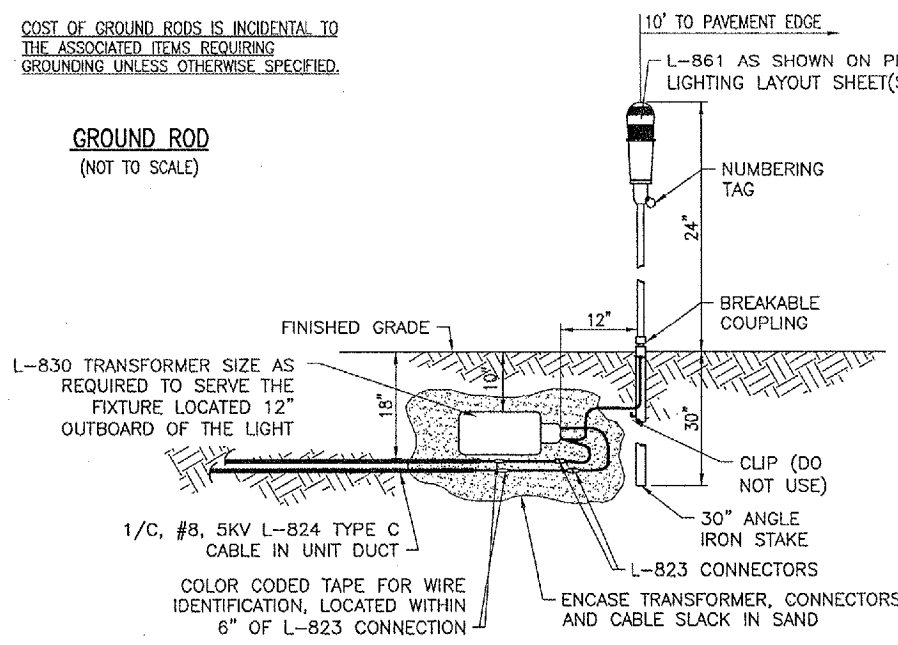
PLAN VIEW

CABLE TRENCHES
(NOT TO SCALE)

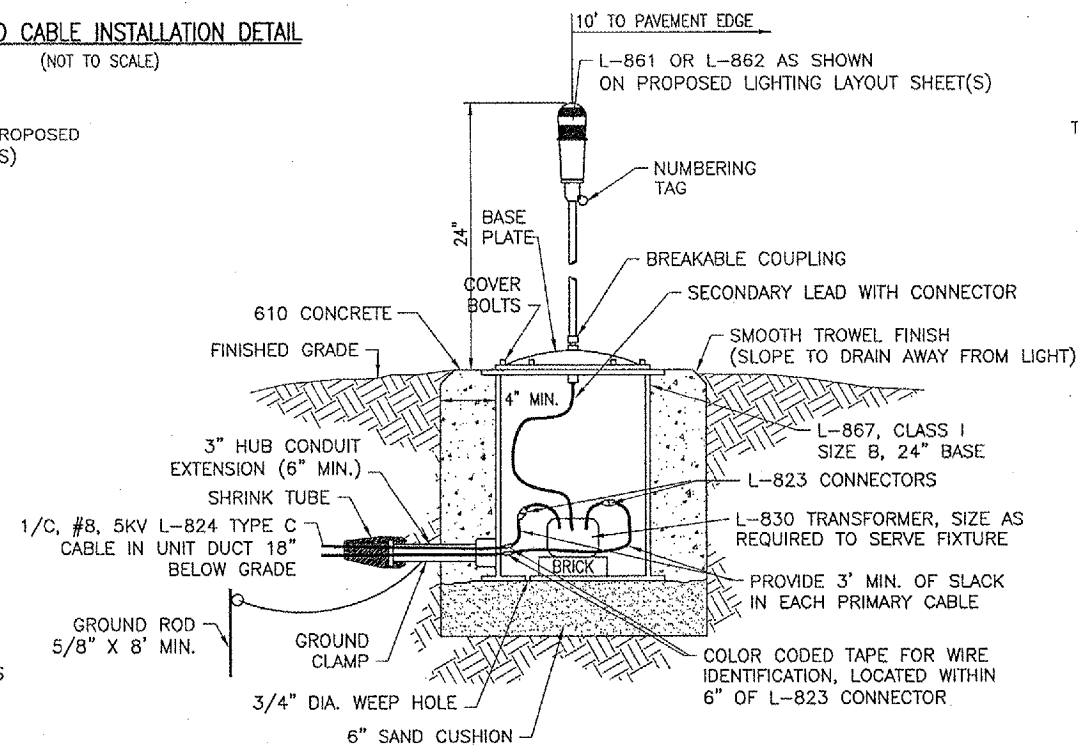


PROFILE VIEW

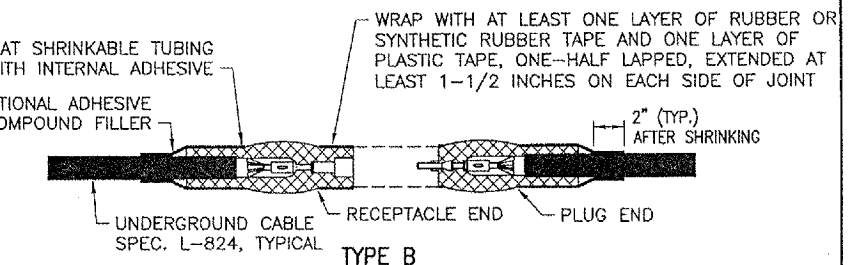
LIGHT AND CABLE INSTALLATION DETAIL
(NOT TO SCALE)



MEDIUM INTENSITY LIGHT -- STAKE MOUNTED
(NOT TO SCALE)

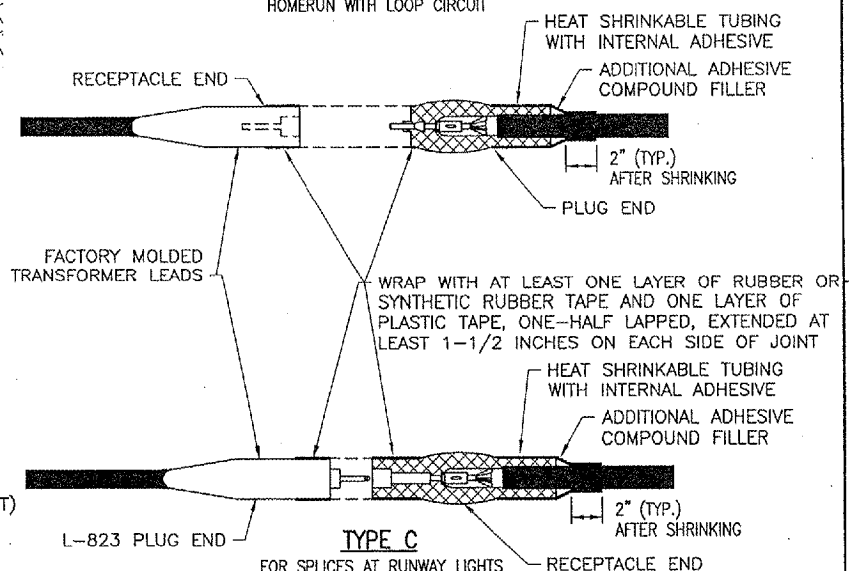


MEDIUM/HIGH INTENSITY LIGHT -- BASE MOUNTED
(NOT TO SCALE)



TYPE B

FOR SPLICES AT JUNCTION OF HOMERUN WITH LOOP CIRCUIT



TYPE C

FOR SPLICES AT RUNWAY LIGHTS

NOTES:
SEE PROPOSED LIGHTING LAYOUT SHEET(S) FOR SPLICE TYPE.

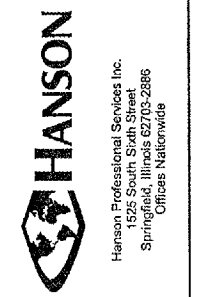
INSIDE DIAMETER OF CONNECTOR SHALL PROPERLY MATCH THE OUTSIDE DIAMETER OF CABLE.

CABLE SPLICES
(NOT TO SCALE)

REVISION	DATE	BY

ROBINSON MUNICIPAL AIRPORT
ROBINSON
CRAWFORD COUNTY, ILLINOIS

Project No.	838-04RWY	
File Name	R-541ELE.DWG	
Scale	NONE	
Date	01/13/04	
LAYOUT	CCC	01/13/04
DRAWN	CCC	01/13/04
REVIEWED	CAH	03/05/04



RUNWAY 9-27
WIDENING

ELECTRICAL DETAILS