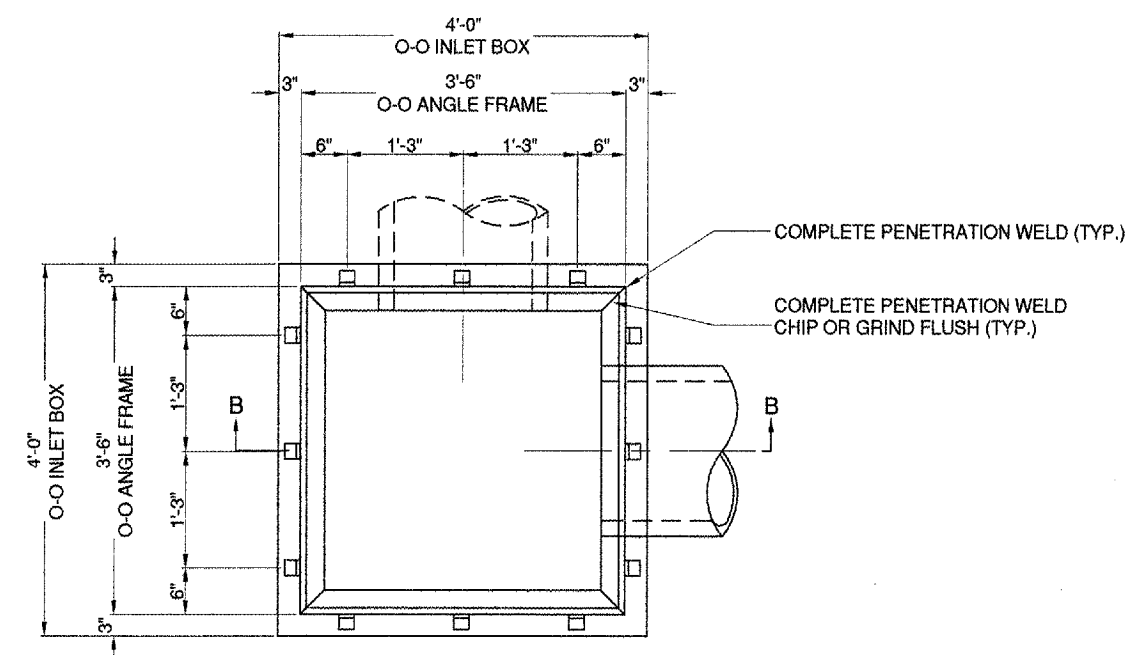
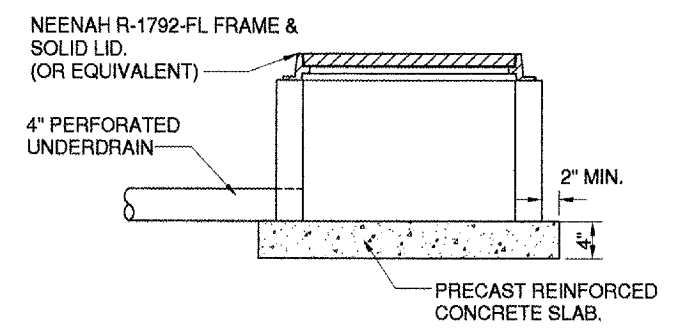


DETAILS OF INLET TO BE ADJUSTED

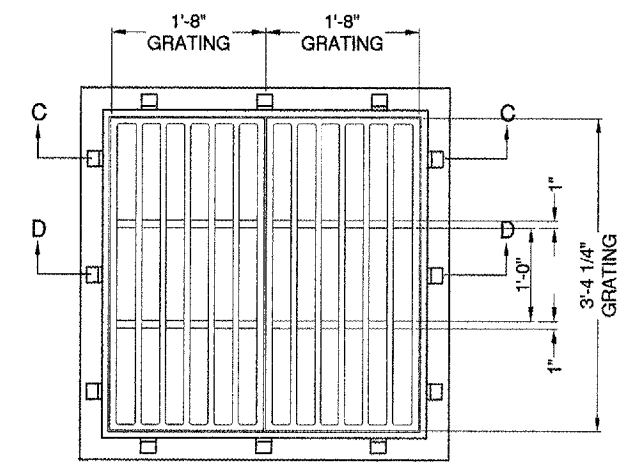


INLET BOX STANDARD 542546

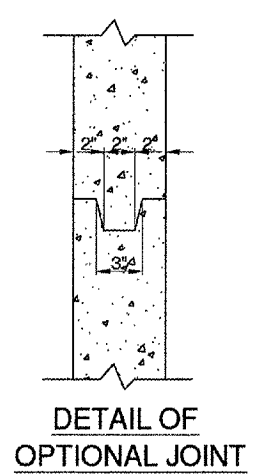
PLAN
(GRATING OMITTED FOR CLARITY)



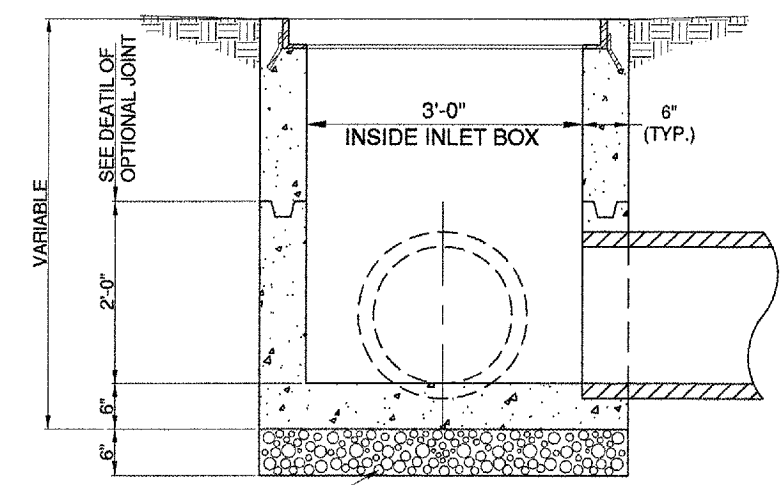
UNDERDRAIN INSPECTION HOLE
NOT TO SCALE



CAST FRAME & GRATE
(NEENAH R-3807, OR APPROVED EQUAL)

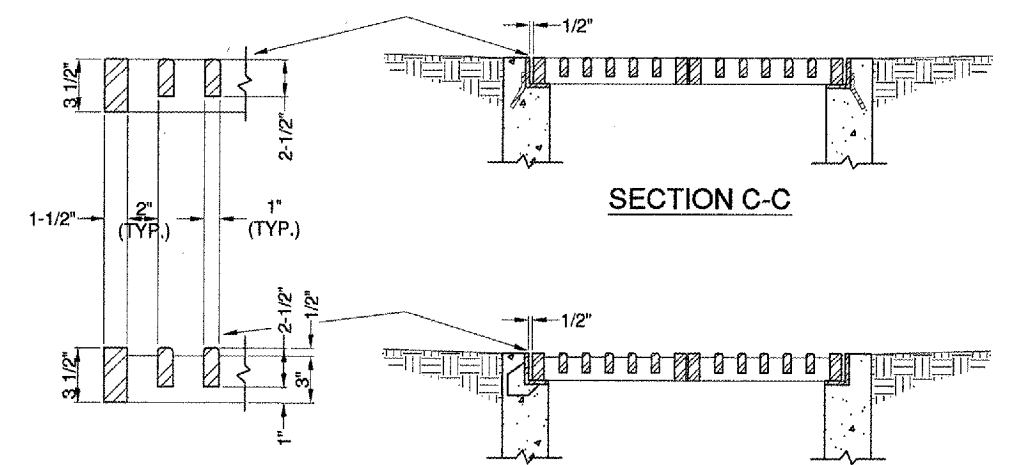


DETAIL OF OPTIONAL JOINT



SECTION B-B

6" CRUSHED AGGREGATE BASE COURSE (ITEM 209-GRADATION "B") COMPACTED TO 100% STD. PROCTOR. COST OF BASE COURSE SHALL BE INCIDENTAL TO CONSTRUCTION OF INLET SPECIAL.



INLET DETAILS
NOT TO SCALE