

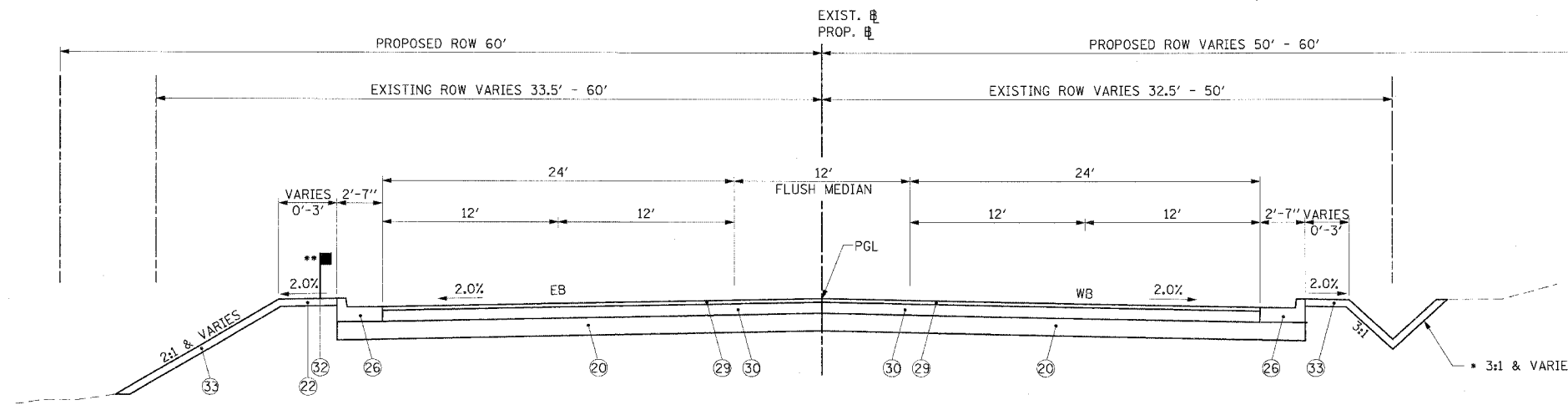
F.A.P. RTE.	SECTION	COUNTY	TOTAL SHEETS	SHEET NO.
575	(B&I) R-3	WILL	390	14
STA.	TO STA.			
FED. ROAD DIST. NO.	ILLINOIS	FED. AID PROJECT		
CONTRACT NO. 60961				

SOILS NOTE:

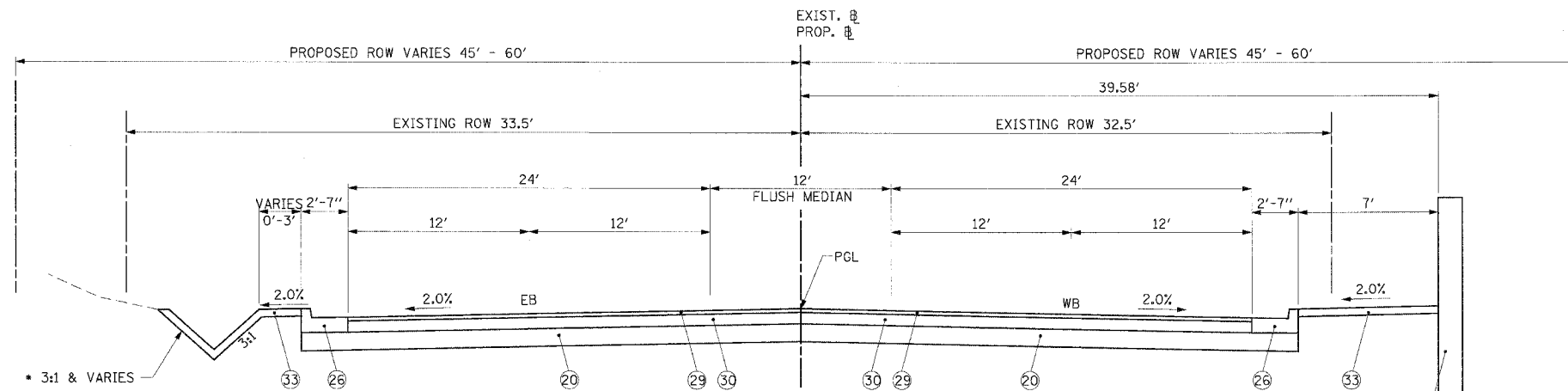
POROUS GRANULAR EMBANKMENT SUBGRADE (PGES) HAS BEEN PROVIDED FOR SOILS WHICH TEND TO BE UNSTABLE WHEN WET. THE ACTUAL NEED FOR REMOVAL AND REPLACEMENT WITH PGE WILL BE DETERMINED IN THE FIELD AT THE TIME OF CONSTRUCTION BY THE ENGINEER (BY USE OF A CONE PENETROMETER IN CONJUNCTION WITH IDOT SUBGRADE MANUAL). IF UNSTABLE SOILS ARE ENCOUNTERED THE SOILS SHALL BE REMOVED AND REPLACED WITH PGE. IF UNSTABLE SOIL IS NOT ENCOUNTERED, THEN THE QUANTITY WILL BE DEDUCTED AND NO ADDITIONAL COMPENSATION WILL BE DUE THE CONTRACTOR.

LEGEND:

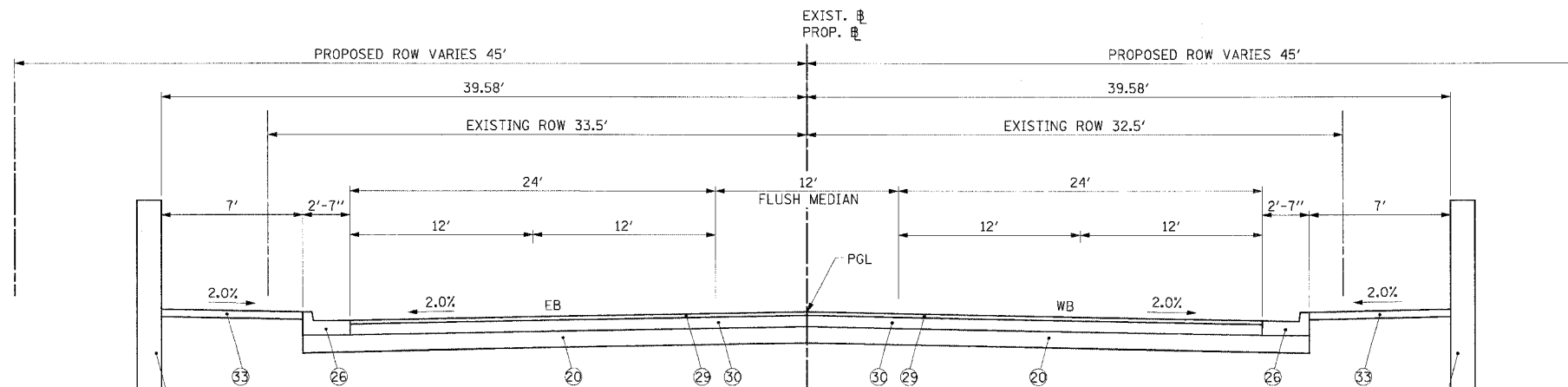
- ① EXIST. BITUMINOUS CONCRETE BINDER COURSE
- ② EXIST. BITUMINOUS CONCRETE SURFACE COURSE
- ③ EXIST. P.C. CONCRETE BASE COURSE, 9"
- ④ EXIST. BITUMINOUS BASE COURSE, 1 1/2"
- ⑤ EXIST. BITUMINOUS RESURFACING, 9"
- ⑥ EXIST. BITUMINOUS CONCRETE OVERLAY, 9"
- ⑦ EXIST. P.C. CONCRETE PAVEMENT 9"-6"-9"
- ⑧ EXIST. P.C. CONCRETE PAVEMENT 6"-8"-6"
- ⑨ EXIST. BITUMINOUS CONCRETE SHOULDER
- ⑩ EXIST. AGGREGATE SHOULDERS, TYPE B
- ⑪ EXIST. STABILIZED MEDIAN
- ⑫ EXIST. SUB-BASE GRANULAR MATERIAL, TYPE A
- ⑬ EXIST COMBINATION CURB AND GUTTER, TYPE B-6.12
- ⑭ EXIST COMBINATION CURB AND GUTTER, TYPE B-6.24
- ⑮ EXIST COMBINATION CURB AND GUTTER, TYPE M-6.12
- ⑰ PROP. BITUMINOUS CONCRETE SURFACE COURSE, SUPERPAVE, MIX "D", N50 - 1 1/2"
- ⑱ PROP. POLYMERIZED LEVELING BINDER (MACHINE METHOD), SUPERPAVE, IL-4.75, N-50 - 3/4"
- ⑲ PROP. BITUMINOUS CONCRETE BINDER COURSE, SUPERPAVE, IL-19.0, N50 - 2"
- ⑳ PROP. AGGREGATE SUBGRADE, 12"
- ㉑ PROP. SUB-BASE GRANULAR MATERIAL, TYPE B - 10"
- ㉒ PROP. BITUMINOUS SHOULDERS SUPERPAVE, 6"
- ㉓ PROP. CONCRETE MEDIAN SURFACE, 4 INCH
- ㉔ PROP. CORRUGATED MEDIAN
- ㉕ PROP. COMBINATION CONCRETE CURB AND GUTTER, TYPE B-6.12
- ㉖ PROP. COMBINATION CONCRETE CURB AND GUTTER, TYPE B-6.24
- ㉗ PROP. BITUMINOUS CONCRETE SURFACE REMOVAL, 2 1/4"
- ㉘ PROP. POLYMERIZED BITUMINOUS CONCRETE SURFACE COURSE, SUPERPAVE, MIX "F", N90 - 1 1/2"
- ㉙ PROP. POLYMERIZED BITUMINOUS CONCRETE SURFACE COURSE, SUPERPAVE, MIX "F", N90 - 2"
- ㉚ PROP. BITUMINOUS CONCRETE BINDER COURSE, SUPERPAVE, IL-19, N90 - 10 3/4"
- ㉛ PROP. STEEL PLATE BEAM GUARD RAIL, TYPE A
- ㉜ PROP. SODDING, SALT TOLERANT OR SEEDING (SEE LANDSCAPING PLAN)
- ㉝ PROP. PERMANENT STEEL SHEET PILING RETAINING WALL
- ㉞ PROP. POROUS GRANULAR EMBANKMENT SUBGRADE (SEE PGES TABLE FOR LOCATION)



PROPOSED US ROUTE 30
STA. 721+52.14 TO STA. 726+19.00



PROPOSED US ROUTE 30
STA. 728+50.00 TO STA. 729+69.00
STA. 733+41.00 TO STA. 734+40.30



PROPOSED US ROUTE 30
STA. 729+69.00 TO STA. 733+41.00

* DEPTH AND SLOPES OF SWALE VARY PER RIGHT OF WAY RESTRICTIONS, SEE CROSS SECTIONS FOR EXACT DESIGN.

** GUARDRAIL WITH A VARIABLE WIDTH 6" BITUMINOUS SHOULDER SUPERPAVE, 2'-9" TO 4'-5" SEE DISTRICT ONE DETAIL FOR STEEL PLATE BEAM GUARDRAIL / ADJACENT TO CURB & GUTTER

REVISIONS	
NAME	DATE
AMB	12/21/04

ILLINOIS DEPARTMENT OF TRANSPORTATION
TYPICAL SECTION
US ROUTE 30
SHEET 3 OF 6



SCALE: VERT. NONE
HORIZ. NONE
DATE: 3/1/05
DRAWN BY: SNH
CHECKED BY: KDF

I:\d010006602\draw\bid\sheet\typ03.dgn