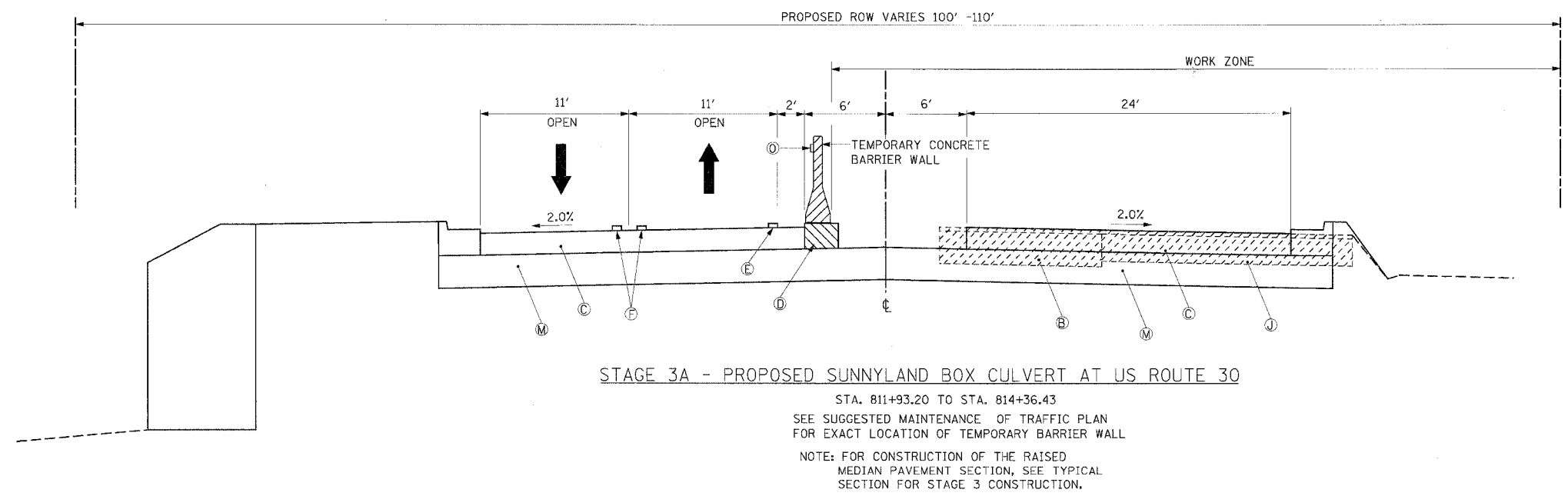
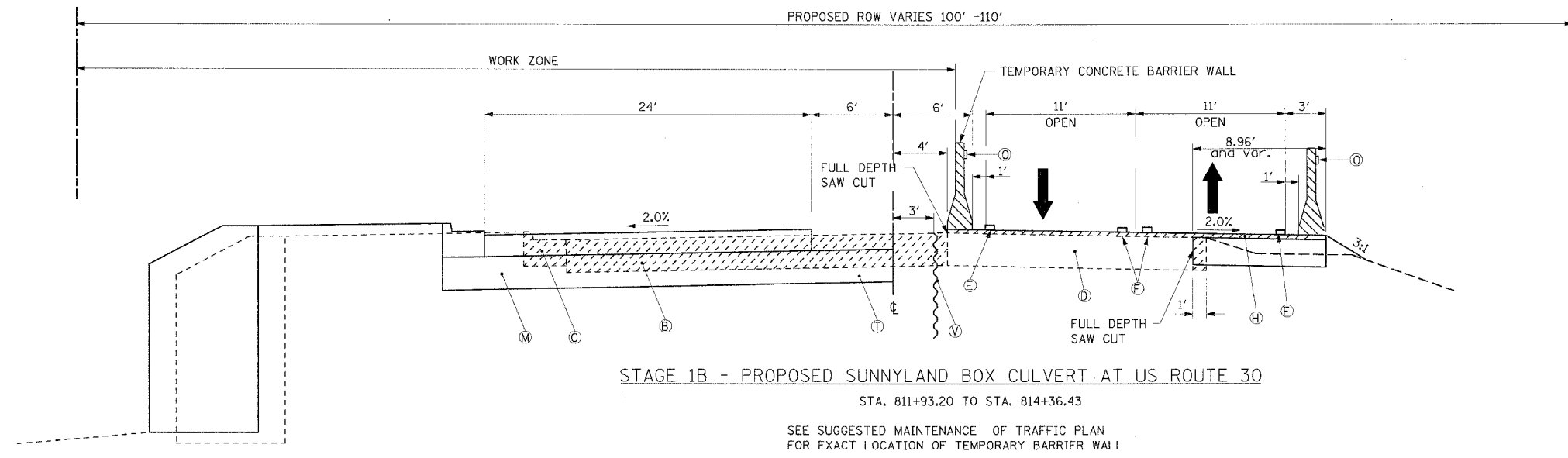


F.A.P. RTE.	SECTION	COUNTY	TOTAL SHEETS	SHEET NO.
575	(B&14) R-3	WILL	390	40
STA.		TO STA.		
FED. ROAD DIST. NO.	ILLINOIS	FED. AID PROJECT		
CONTRACT NO. 60961				

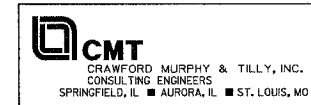


**LEGEND:**

- Ⓐ EXISTING BITUMINOUS CONCRETE PAVEMENT
- Ⓑ PAVEMENT, MEDIAN AND/OR CURB REMOVAL
- Ⓒ PROPOSED BITUMINOUS CONCRETE BINDER COURSE, SUPERPAVE, IL 19.0 N90 - 10 3/4"
- Ⓓ PROPOSED TEMPORARY PAVEMENT
- Ⓔ TEMPORARY EDGE LINE - 4" WHITE SOLID LINE
- Ⓕ TEMPORARY CENTERLINE - 2-4" YELLOW SOLID LINE ON 11" CENTERS
- Ⓖ TEMPORARY SHORT TERM PAVEMENT MARKINGS - 4" WHITE
- Ⓗ POLYMERIZED LEVELING BINDER (MACHINE METHOD), SUPERPAVE IL 4.75, N50 - 1"
- Ⓙ PROPOSED TEMPORARY EMBANKMENT
- Ⓚ TEMPORARY PAVEMENT AND/OR CURB REMOVAL
- Ⓛ PROPOSED 2 1/4" PAVEMENT MILLING W/ PROPOSED 2 1/4" BITUMINOUS OVERLAY
- Ⓛ PROPOSED TEMPORARY PAVEMENT CROSS-OVER (TO BE PAID AS TEMPORARY PAVEMENT)
- Ⓜ PROPOSED AGGREGATE SUBGRADE, 12" (CONSTRUCT PERMANENT SUBGRADE TO CENTERLINE)
- Ⓝ REMOVE TEMPORARY EMBANKMENT (EARTH EXCAVATION)
- Ⓞ PROPOSED BARRIER WALL REFLECTORS
- Ⓟ PROPOSED TEMPORARY AGGREGATE SHOULDER (TO BE PAID AS AGGREGATE SHOULDER, SPECIAL)
- Ⓠ TEMPORARY AGGREGATE SHOULDER REMOVAL (INCIDENTAL TO AGGREGATE SHOULDER, SPECIAL)
- Ⓡ DRUMS WITH MONODIRECTIONAL STEADY BURN LIGHTS
- Ⓢ PROPOSED TEMPORARY CONCRETE CURB AND GUTTER, B-6.18
- Ⓣ TEMPORARY SOIL RETENTION SYSTEM (SEE SHEET 226-229)
- Ⓤ TEMPORARY EDGE LINE - 4" YELLOW SOLID LINE
- Ⓡ TEMPORARY SHEET PILING
- Ⓦ PROPOSED RETAINING WALL

REVISIONS	
NAME	DATE

ILLINOIS DEPARTMENT OF TRANSPORTATION  
**SUGGESTED MAINTENANCE OF TRAFFIC PLAN**  
**STAGE 1B & STAGE 3A**  
**AT SUNNYLAND BOX CULVERT**  
 US ROUTE 30  
 SHEET 6 OF 26



SCALE: VERT. NONE  
 HORIZ. NONE  
 DATE: 3/1/05  
 DRAWN BY: SNH  
 CHECKED BY: SBP

I:\root\0006602\draw\bid\sheet\mott\p05.dgn