

BAR AND MATERIAL LIST
(FOR INFORMATION ONLY)

Bar	No.	Size	Length	Shape
a175	14	#5	7'-6"	U
a176	20	#5	2'-9"	—
a177	8	#5	6'-4"	—
a178	32	#5	2'-4"	—
d175	16	#5	2'-10"	—
h175	12	#5	11'-4"	—
h176	6	#5	5'-8"	—
h177	10	#5	6'-4"	—
h178	10	#5	11'-4"	—
h179	12	#5	4'-6"	—
h180	12	#5	4'-2"	—
h181	2	#5	7'-0"	—
h182	56	#5	2'-4"	—
n175(E)	80	#5	3'-7"	—
f175	26	#6	7'-4"	—
v175	88	#5	3'-8"	—
v176	8	#5	1'-6"	—
w175	16	#6	12'-4"	—
Description	Unit	Quantity		
REINFORCEMENT BARS	LB.	1900		
REINFORCEMENT BARS, EPOXY COATED	LB.	300		
CLASS SI CONCRETE	CU. YD.	9.3		
TYPE I FRAME, OPEN LID	EA.	2		

BILL OF MATERIAL

Item	Description	Unit	Quantity
*	SPECIAL STRUCTURE SP-1	EA.	1

* Indicates pay item governed by a special provision

NOTES:

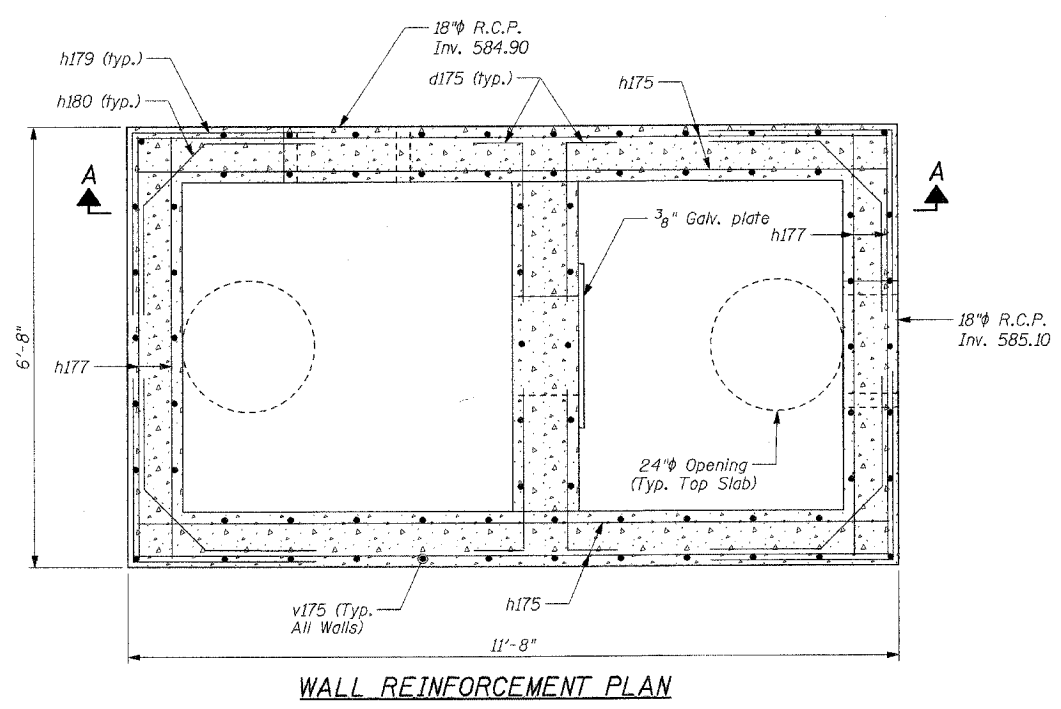
- All steel plates shall conform to the requirements of AASHTO M270 grade 36.
- Bolts, cap screws and nuts shall conform to the requirements of ASTM designation A 307 except that threaded rods, nuts and washers shall conform to AASHTO M 164.
- All bolts, nuts, cap screws, washers and lock washers shall be galvanized according to AASHTO M 232.
- The Contractor shall use the capsule or adhesive cartridge type anchor rods that have been previously tested and given a prior approval by the Department. The Contractor shall install these anchor rods in pre-drilled holes according to the manufacturer's recommendations and procedures. The capsule or the adhesive cartridge shall be sealed with premeasured amounts of the chemical.

REVISIONS	
NAME	DATE

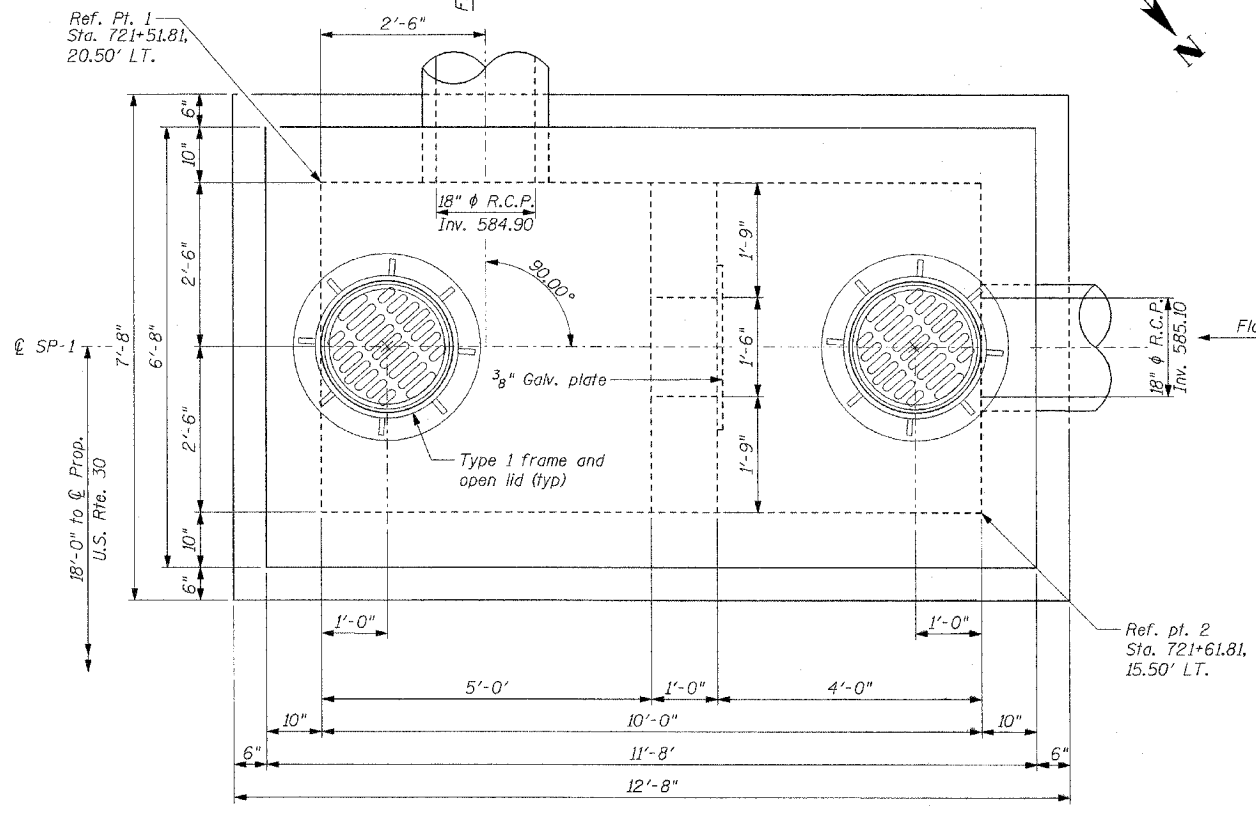
ILLINOIS DEPARTMENT OF TRANSPORTATION
SPECIAL STRUCTURE SP-1
OUTLET 10A (NORTH)
FAP RTE. 575 (U.S.30)
SECTION (B & I) R-3
WILL COUNTY

SCALE: VERT. AS SHOWN
HORIZ. DATE: 3/1/05

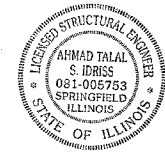
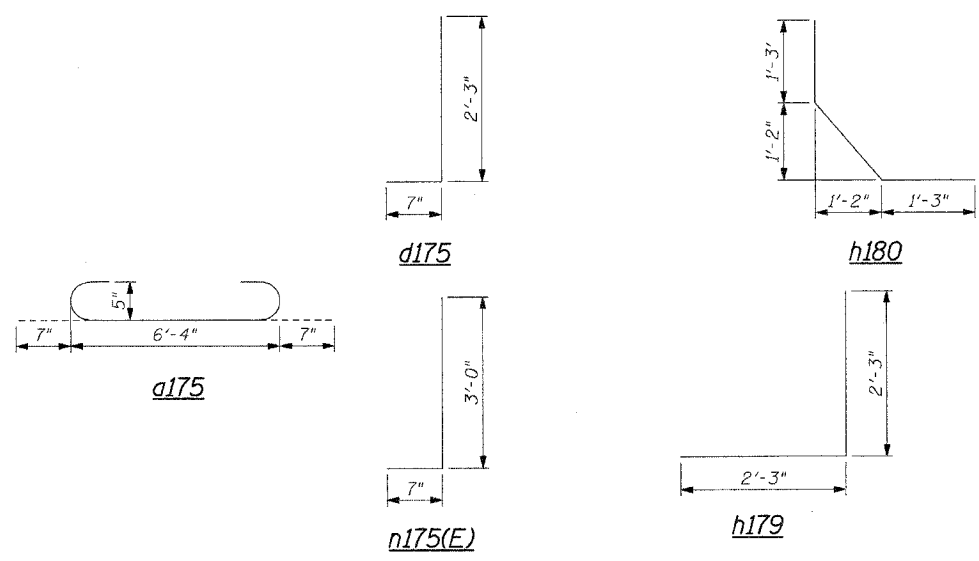
DRAWN BY: GRS
CHECKED BY: ATI



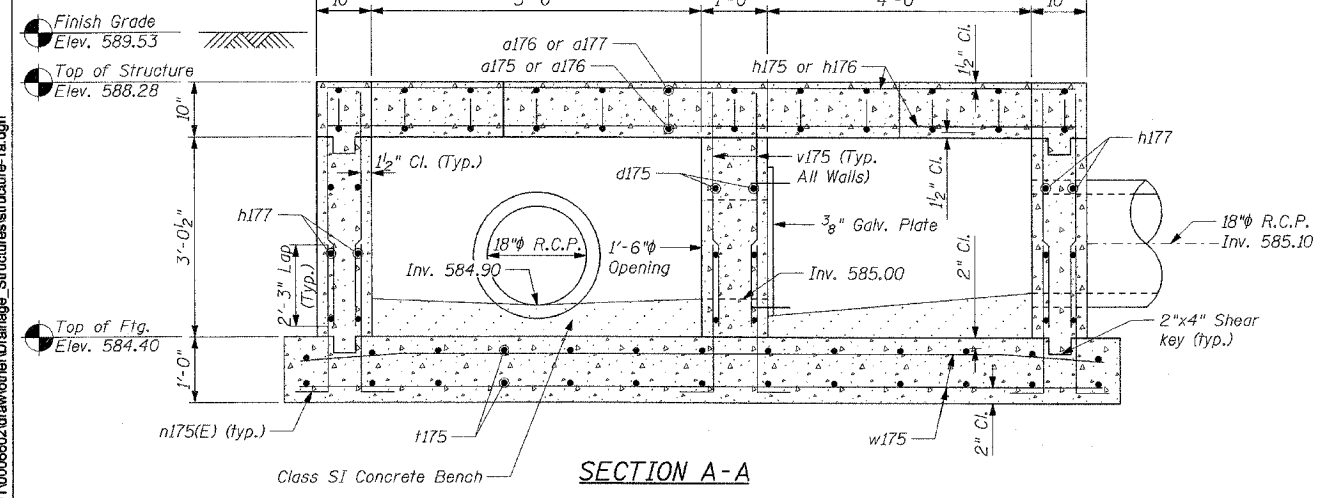
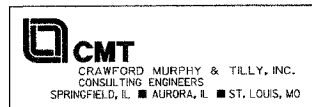
WALL REINFORCEMENT PLAN



PLAN VIEW
SCALE: 3/8" = 1'-0"



Ahmad T. Idriss
Ahmad T. Idriss, P.E., S.E.
Illinois Licensed Structural Engineer
License Number: 081-005753
Expiration date: November 30, 2006



SECTION A-A

L:\DDT\0006602\draw\other\Drainage_Structures\structure-1a.dgn