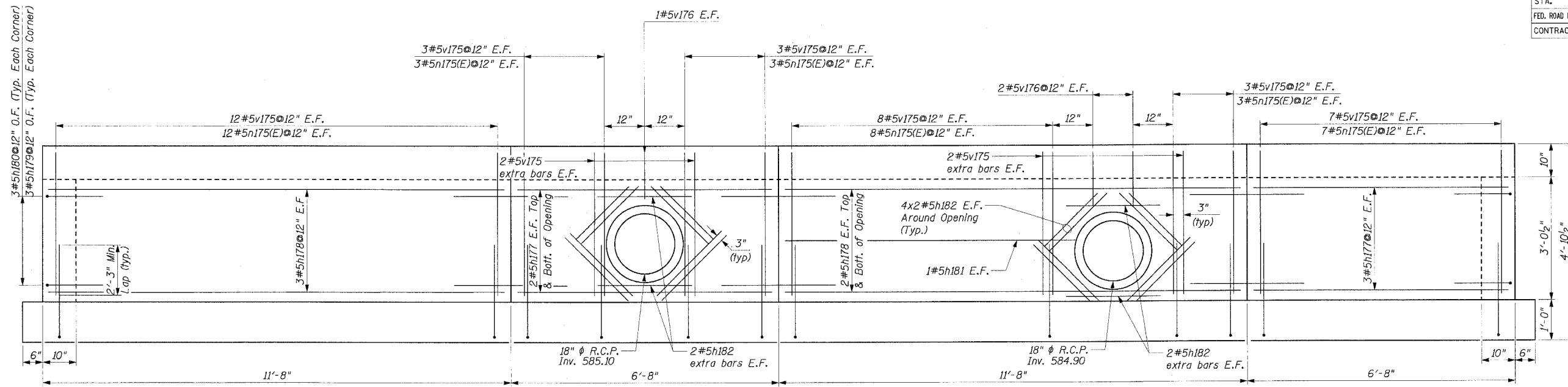
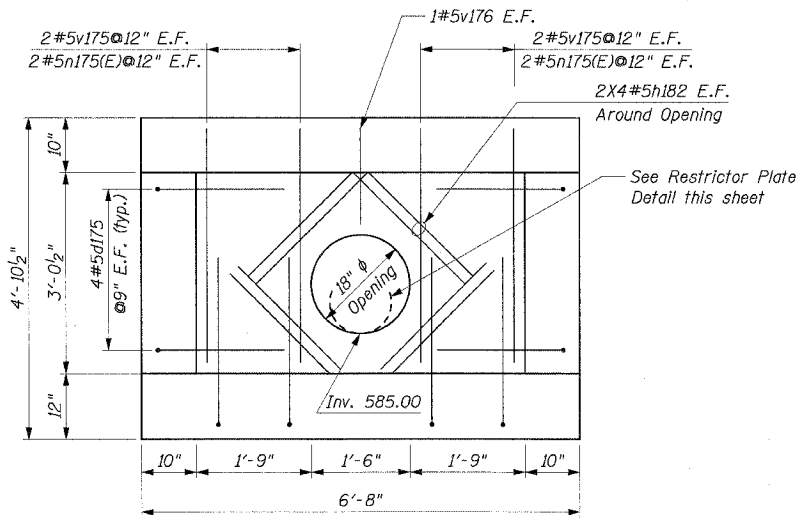


F.A.P. RTE.	SECTION	COUNTY	TOTAL SHEETS	SHEET NO.
575	(B&I) R-3	WILL	390	212
STA.	TO STA.			
FED. ROAD DIST. NO.	ILLINOIS	FED. AID PROJECT		
CONTRACT NO. 60961				

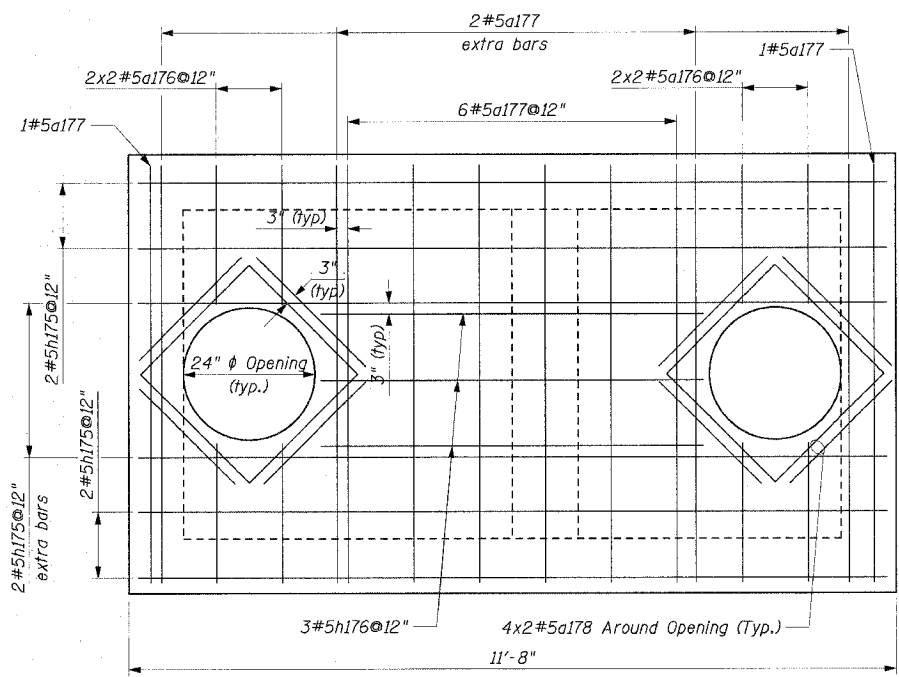
Sheet 2 of 15



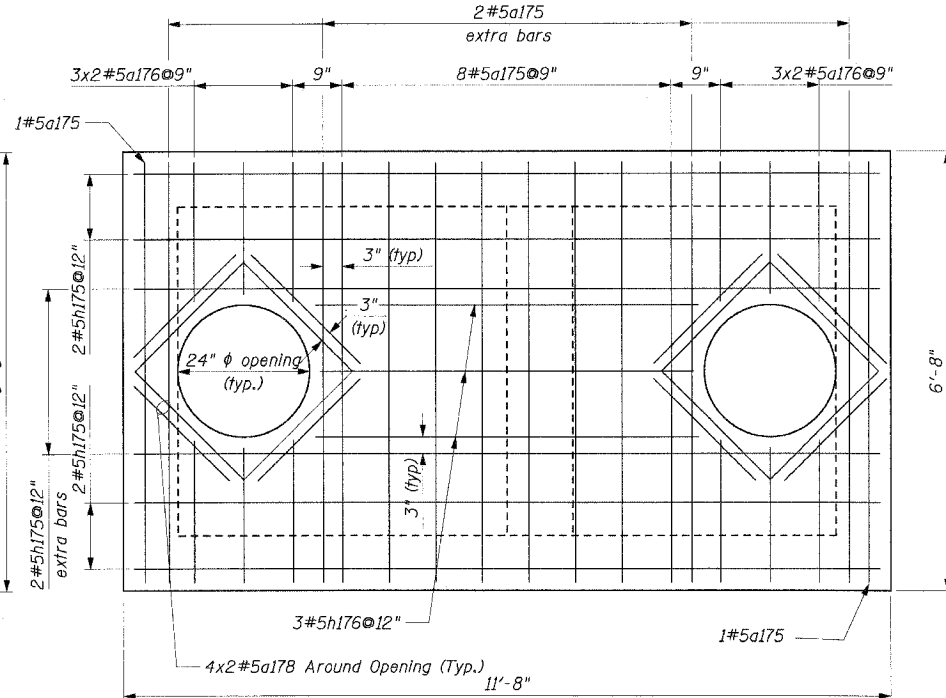
PROJECTED ELEVATION



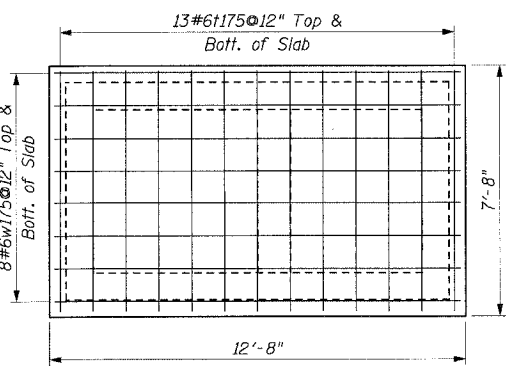
RESTRICTOR WALL ELEVATION



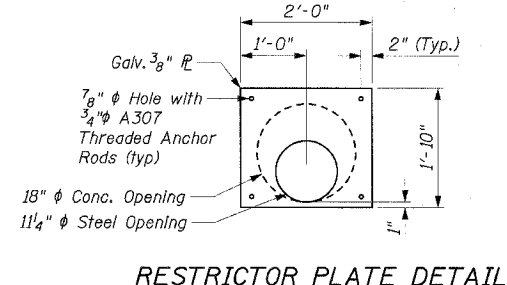
TOP SLAB TOP REINFORCEMENT PLAN



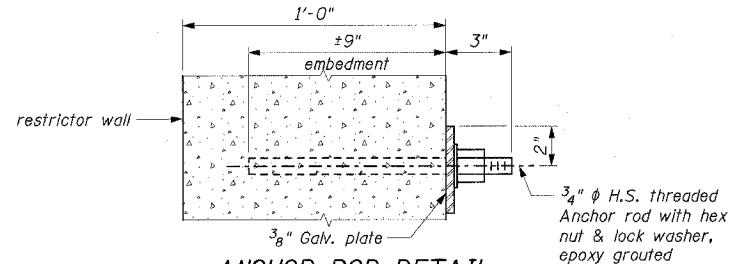
TOP SLAB BOTTOM REINFORCEMENT PLAN



BOTTOM SLAB REINFORCEMENT PLAN



RESTRICTOR PLATE DETAIL



ANCHOR ROD DETAIL

I:\dca0006602\draw\other\drainage_structures\structure-1b.dgn

CMT
CRAWFORD MURPHY & TILLY, INC.
CONSULTING ENGINEERS
SPRINGFIELD, ILL. ■ AURORA, ILL. ■ ST. LOUIS, MO

REVISIONS	
NAME	DATE

ILLINOIS DEPARTMENT OF TRANSPORTATION
SPECIAL STRUCTURE SP-1
OUTLET 10A (NORTH)
FAP RTE. 575 (U.S.30)
SECTION (B & I) R-3
WILL COUNTY

SCALE: VERT. NONE
HORIZ. DATE: 3/1/05

DRAWN BY: GRS
CHECKED BY: ATI