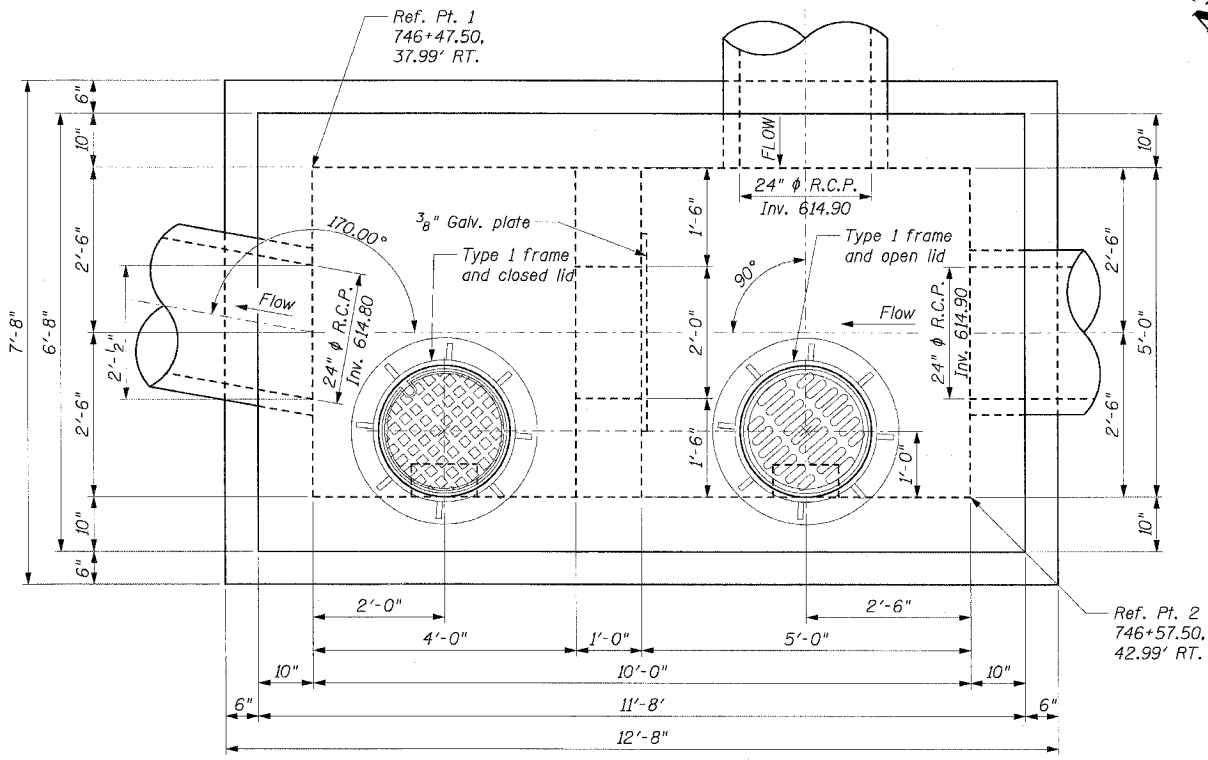
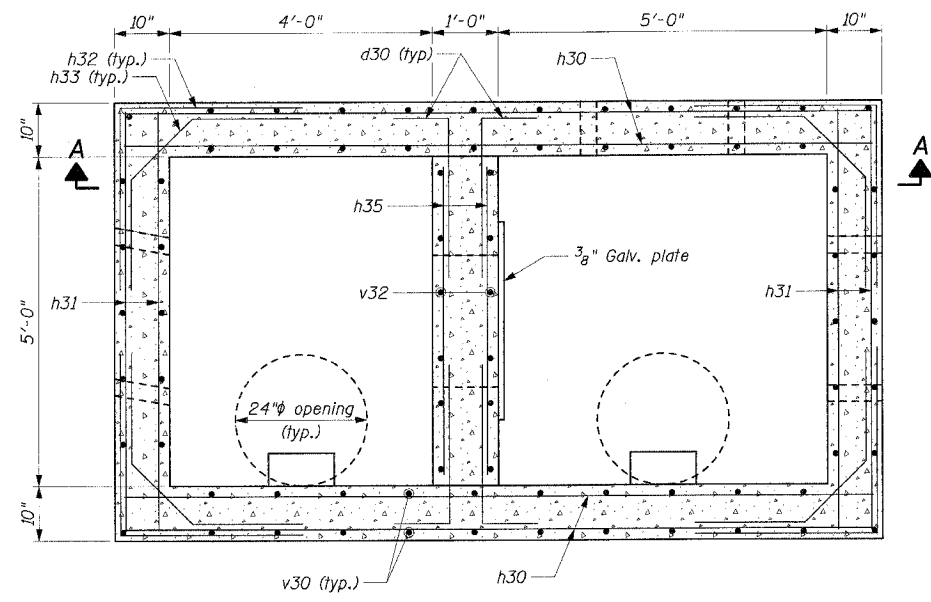


F.A.P. RT.	SECTION	COUNTY	TOTAL SHEETS	SHEET NO.
575	(B&14) R-3	WILL	390	218
STA.		TO STA.		
FED. ROAD DIST. NO.		ILLINOIS FED. AID PROJECT		
CONTRACT NO. 60961		Sheet 8 of 15		



**PLAN VIEW**  
SCALE: 3/4" = 1'-0"



**WALL REINFORCEMENT PLAN**

**BAR AND MATERIAL LIST**  
(FOR INFORMATION ONLY)

Bar	No.	Size	Length	Shape
a30	15	#5	7'-6"	U
a31	21	#5	6'-4"	U
a32	32	#5	2'-8"	U
d30	20	#5	2'-10"	L
h30	42	#5	11'-4"	U
h31	24	#5	6'-4"	U
h32	24	#5	4'-6"	U
h33	24	#5	4'-2"	U
h34	88	#5	2'-8"	U
h35	6	#5	4'-8"	U
n30(E)	78	#5	3'-7"	U
f30	26	#6	7'-4"	U
v30	70	#5	6'-8"	U
v31	12	#5	3'-5"	U
v32	8	#5	4'-6"	U
v33	4	#5	1'-9"	U
w30	16	#6	12'-4"	U

Description	Unit	Quantity
REINFORCEMENT BARS	LB.	290
REINFORCEMENT BARS, EPOXY COATED	LB.	2710
CLASS SI CONCRETE	CU. YD.	13.3
TYPE 1 FRAME, CLOSED LID	EA.	1
TYPE 1 FRAME, OPEN LID	EA.	1

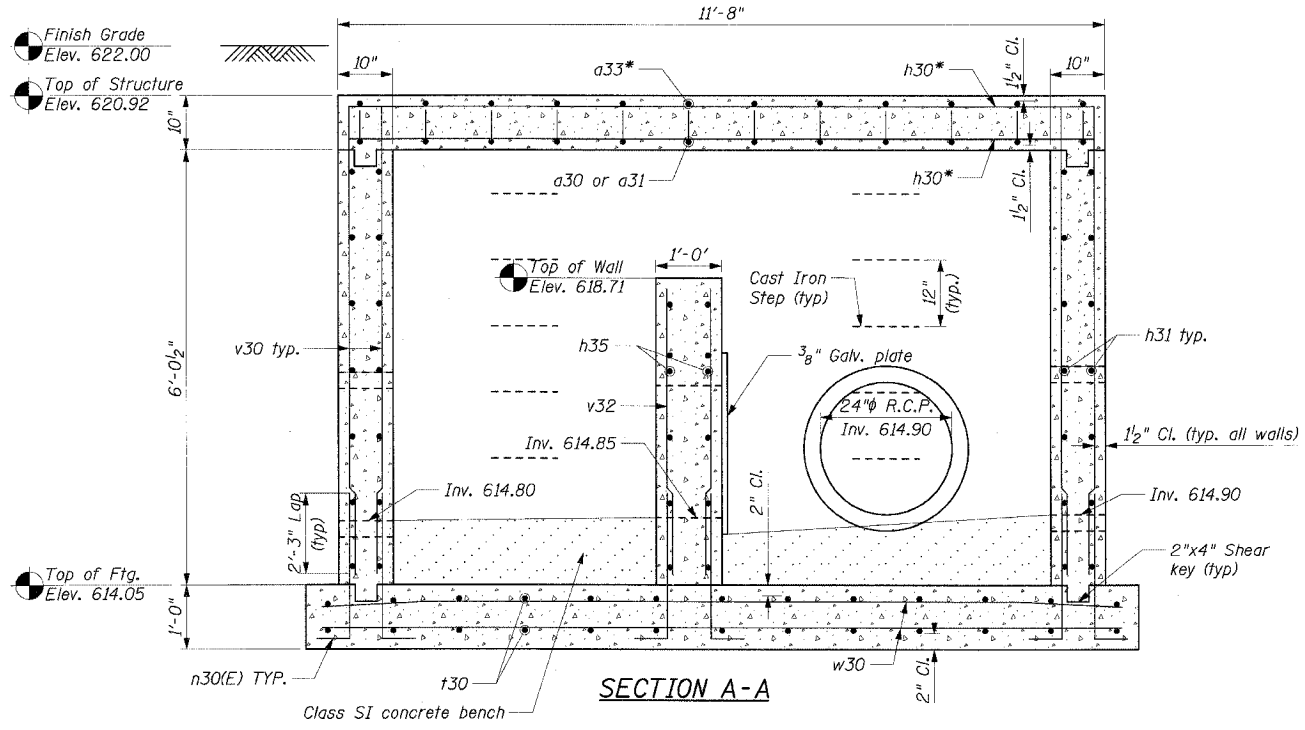
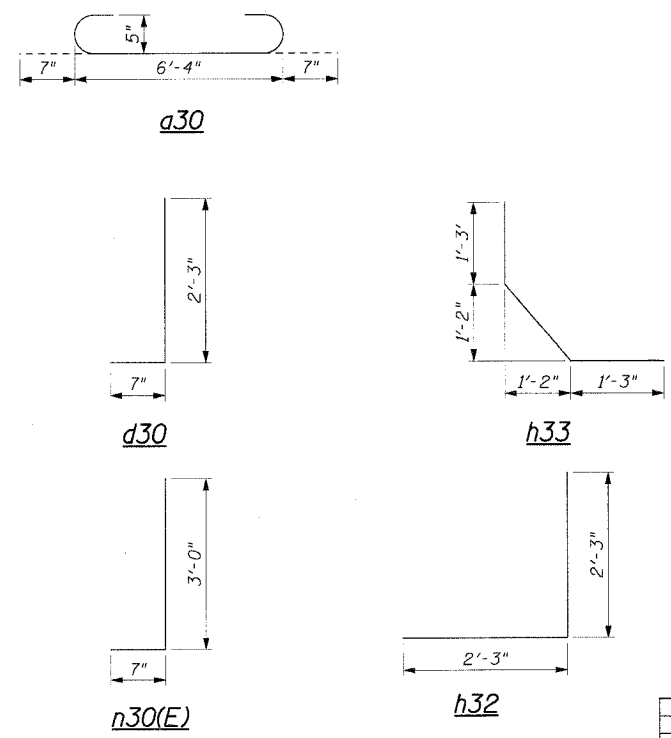
**BILL OF MATERIAL**

Item	Description	Unit	Quantity
*	SPECIAL STRUCTURE SP-4	EA.	1

\* Indicates pay item governed by a special provision

**NOTES:**

- All steel plates shall conform to the requirements of AASHTO M270 grade 36.
- Bolts, cap screws and nuts shall conform to the requirements of ASTM designation A 307 except that threaded rods, nuts and washers shall conform to AASHTO M 164.
- All bolts, nuts, cap screws, washers and lock washers shall be galvanized according to AASHTO M 232.
- The Contractor shall use the capsule or adhesive cartridge type anchor rods that have been previously tested and given a prior approval by the Department. The Contractor shall install these anchor rods in pre-drilled holes according to the manufacturer's recommendations and procedures. The capsule or the adhesive cartridge shall be sealed with premeasured amounts of the chemical.



**SECTION A-A**



REVISIONS	
NAME	DATE

ILLINOIS DEPARTMENT OF TRANSPORTATION  
**SPECIAL STRUCTURE SP-4**  
OUTLET 13-NORTH  
FAP RTE. 575 (U.S.30)  
SECTION (B & 14) R-3  
WILL COUNTY

SCALE: VERT. AS SHOWN  
HORIZ. DATE: 3/1/05  
DRAWN BY: GRS  
CHECKED BY: ATI

I:\data\0006092\draw\other\drainage\_structures\structure-4a.dgn