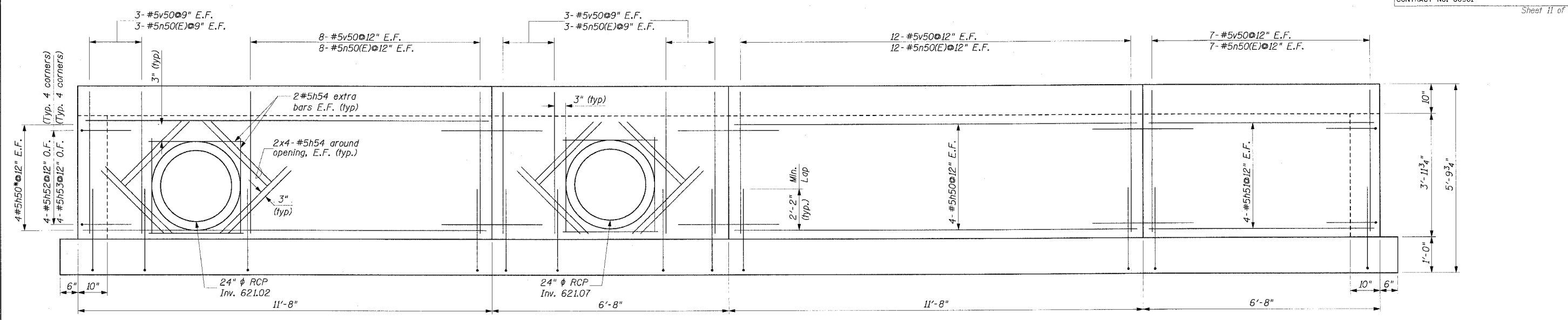
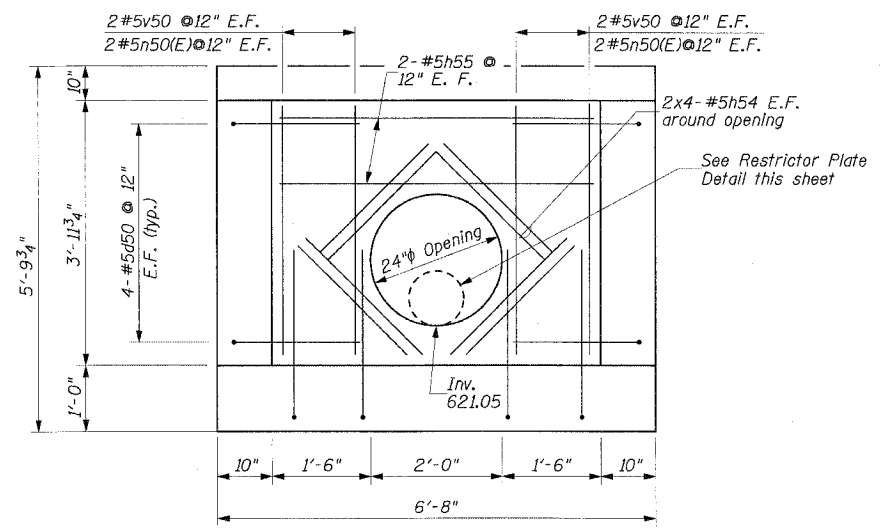


F.A.P. RTE.	SECTION	COUNTY	TOTAL SHEETS	SHEET NO.
575	(B&I4) R-3	WILL	390	221
STA.	TO STA.			
FED. ROAD DIST. NO.	ILLINOIS	FED. AID PROJECT		
CONTRACT NO. 60961				

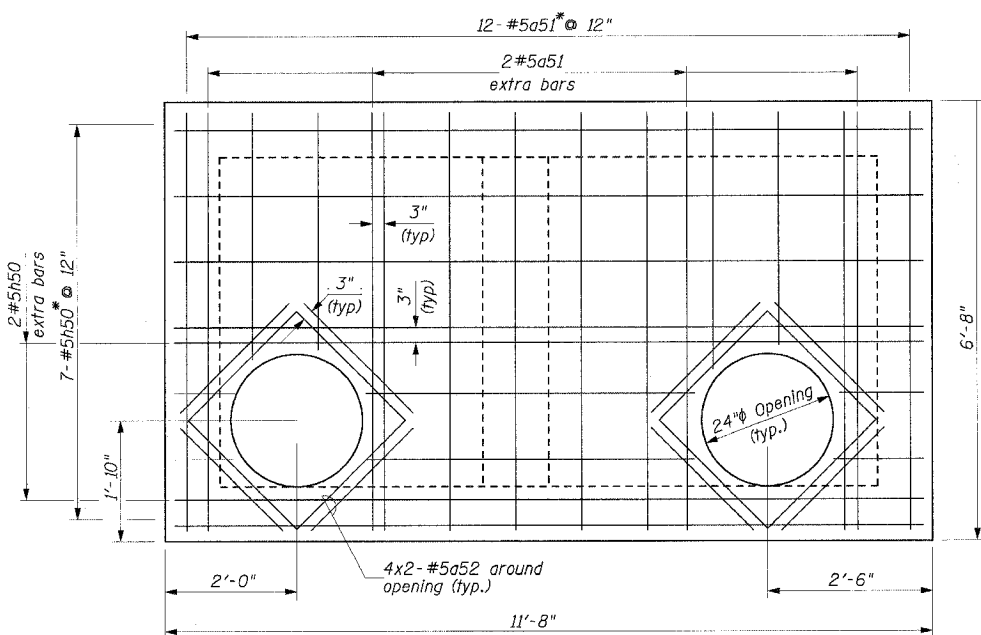
Sheet 11 of 15



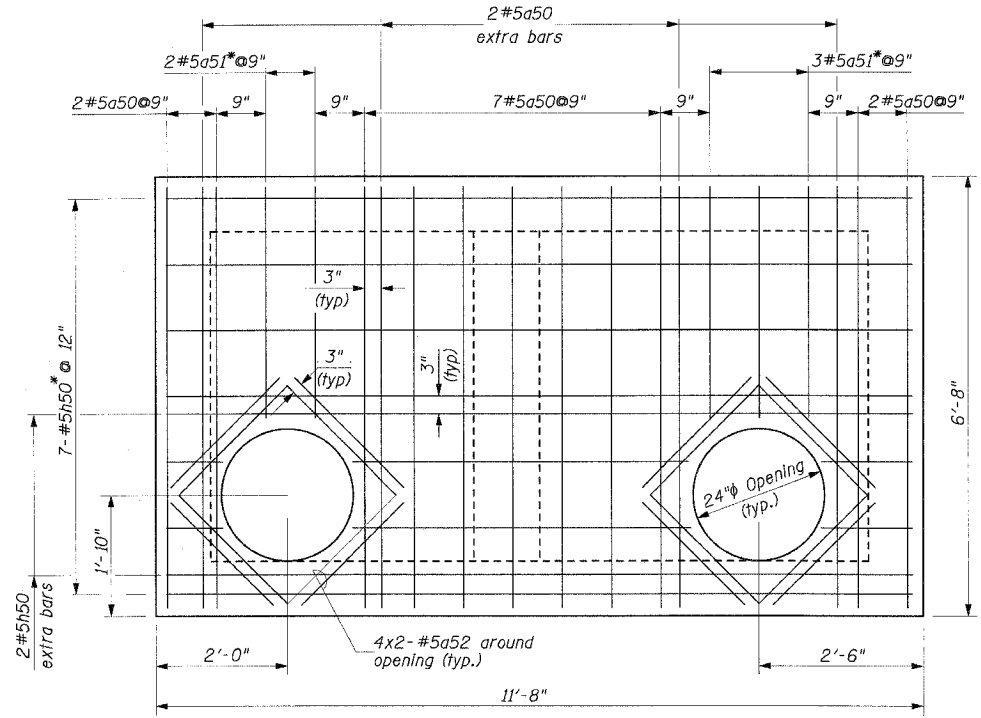
PROJECTED ELEVATION



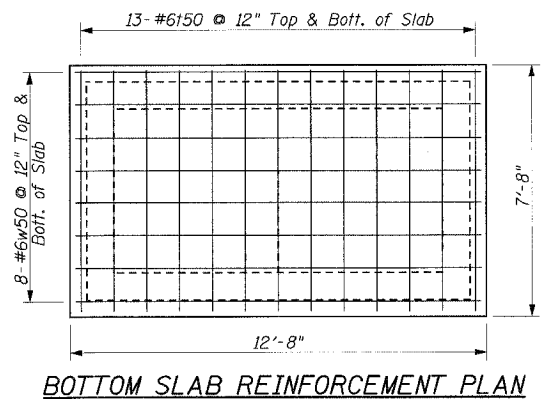
RESTRICTOR WALL ELEVATION



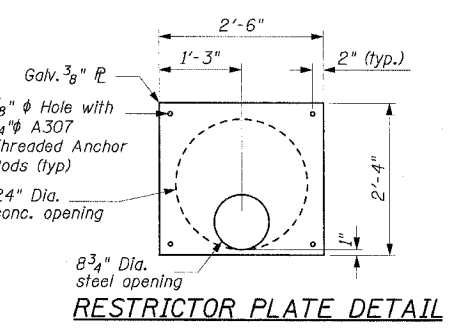
TOP SLAB TOP REINFORCEMENT PLAN



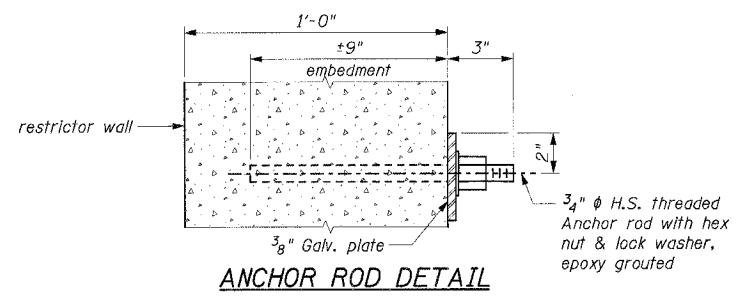
TOP SLAB BOTTOM REINFORCEMENT PLAN



BOTTOM SLAB REINFORCEMENT PLAN



RESTRICTOR PLATE DETAIL



ANCHOR ROD DETAIL

* Cut bars in field as necessary to avoid pipes and openings.

REVISIONS	
NAME	DATE

ILLINOIS DEPARTMENT OF TRANSPORTATION
**SPECIAL STRUCTURE SP-5
 OUTLET 15**
 FAP RTE. 575 (U.S.30)
 SECTION (B & I4) R-3
 WILL COUNTY

CMT
 CRAWFORD MURPHY & TILLY, INC.
 CONSULTING ENGINEERS
 SPRINGFIELD, IL ■ AURORA, IL ■ ST. LOUIS, MO

SCALE: VERT. NONE
 HORIZ. DATE: 3/1/05
 DRAWN BY: GRS
 CHECKED BY: ATI

I:\hd0000662\draw\other\drainage_structures\structure-5b.dgn