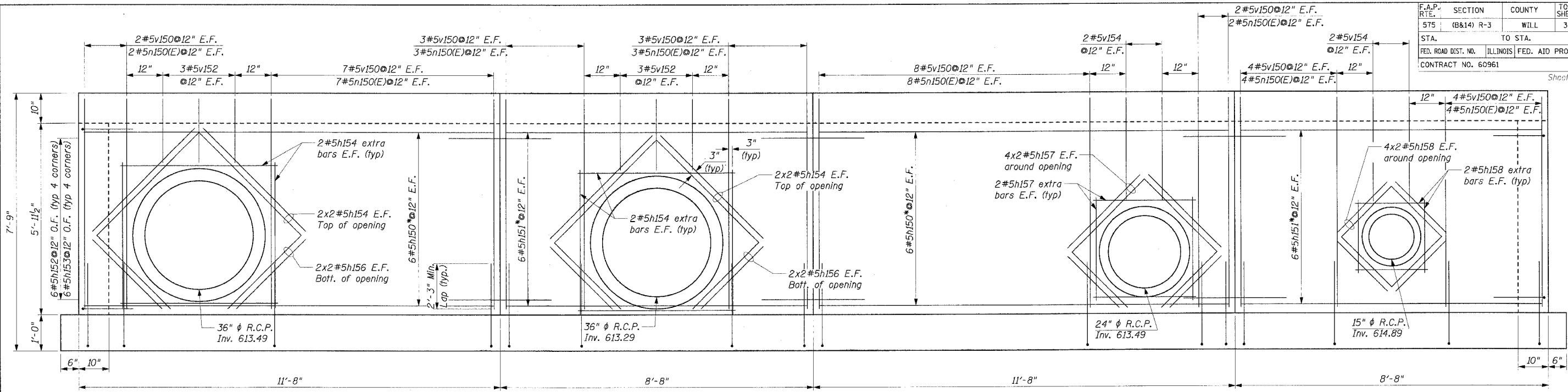
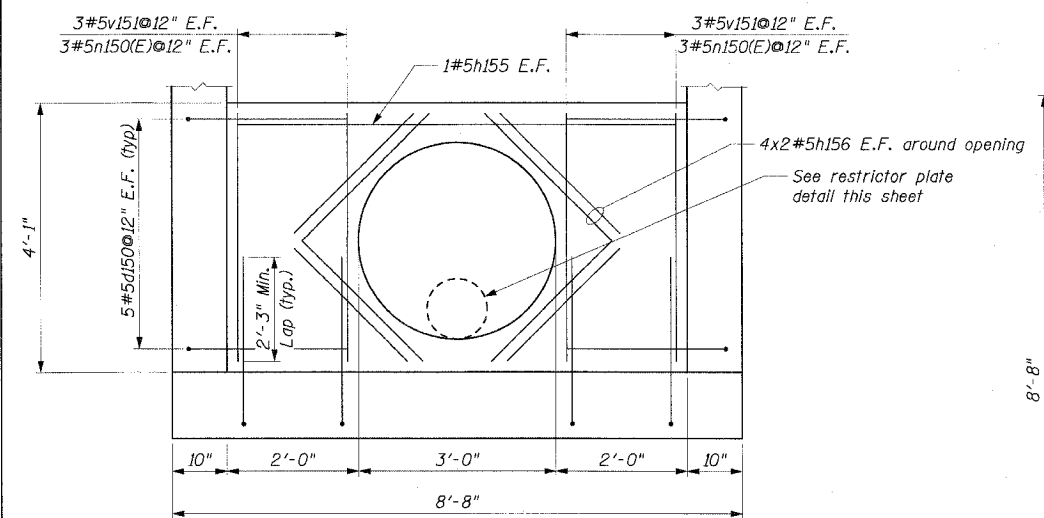


F.A.P. RTE.	SECTION	COUNTY	TOTAL SHEETS	SHEET NO.
575	(B&I) R-3	WILL	390	223
STA.	TO STA.			
FED. ROAD DIST. NO.	ILLINOIS	FED. AID PROJECT		
CONTRACT NO. 60961				

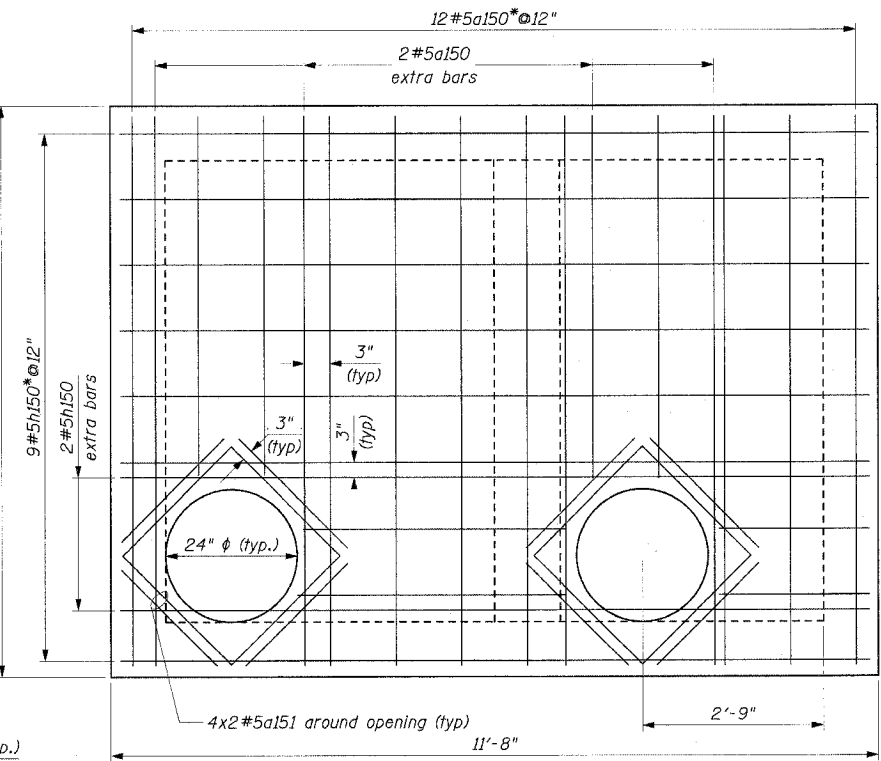
Sheet 13 of 15



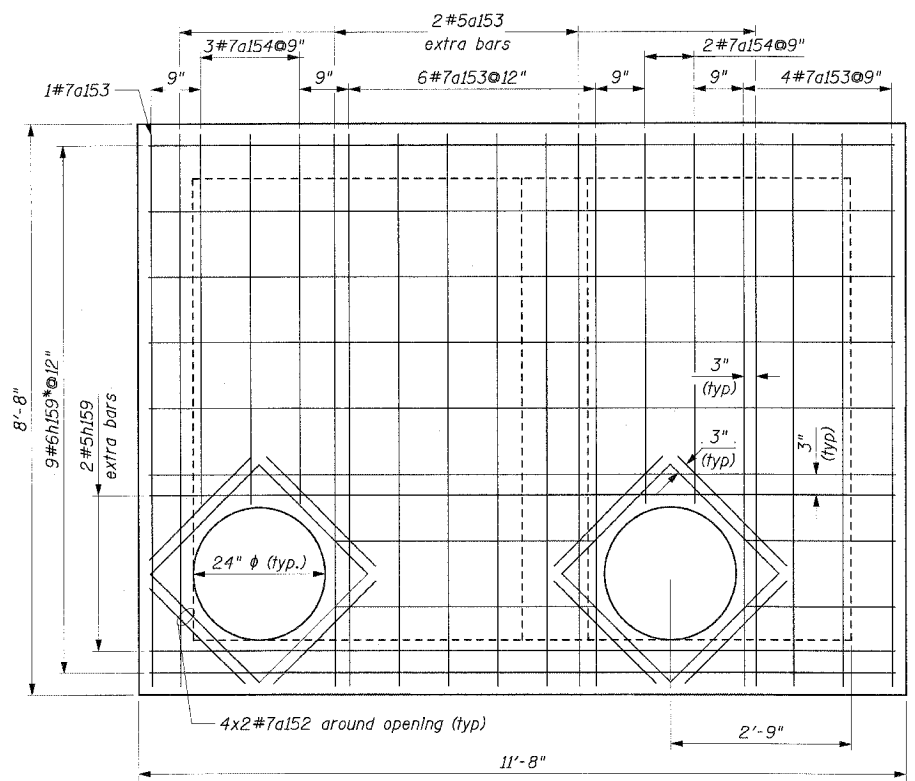
PROJECTED ELEVATION



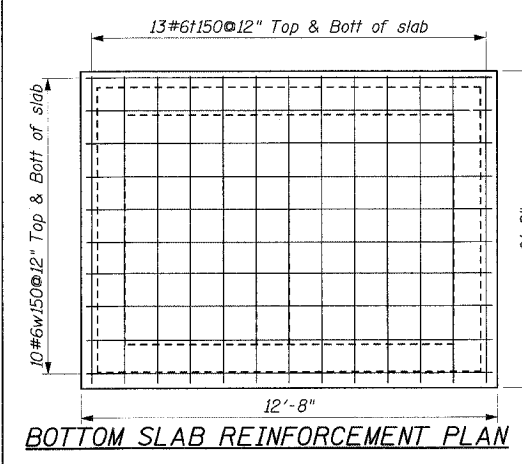
RESTRICTOR WALL ELEVATION



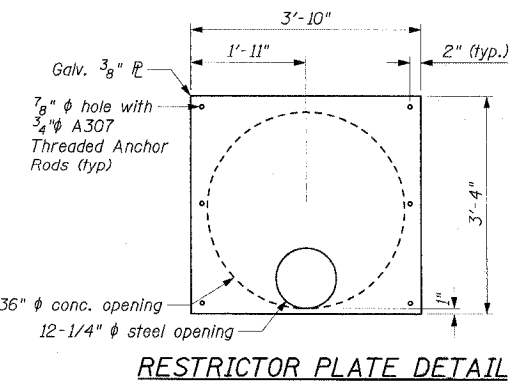
TOP SLAB TOP REINFORCEMENT PLAN



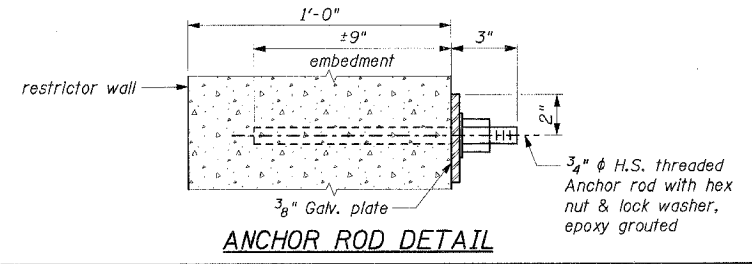
TOP SLAB BOTTOM REINFORCEMENT PLAN



BOTTOM SLAB REINFORCEMENT PLAN



RESTRICTOR PLATE DETAIL



ANCHOR ROD DETAIL

* Cut bars in field to fit & avoid openings

REVISIONS	
NAME	DATE

ILLINOIS DEPARTMENT OF TRANSPORTATION
SPECIAL STRUCTURE SP-6
OUTLET 17
 FAP RTE. 575 (U.S.30)
 SECTION (B & I) R-3
 WILL COUNTY

SCALE: VERT. NONE
 HORIZ. DATE: 3/1/05
 DRAWN BY: GRS
 CHECKED BY: ATI

I:\d0000662\draw\other\drainage_structures\structure-eb.dgn