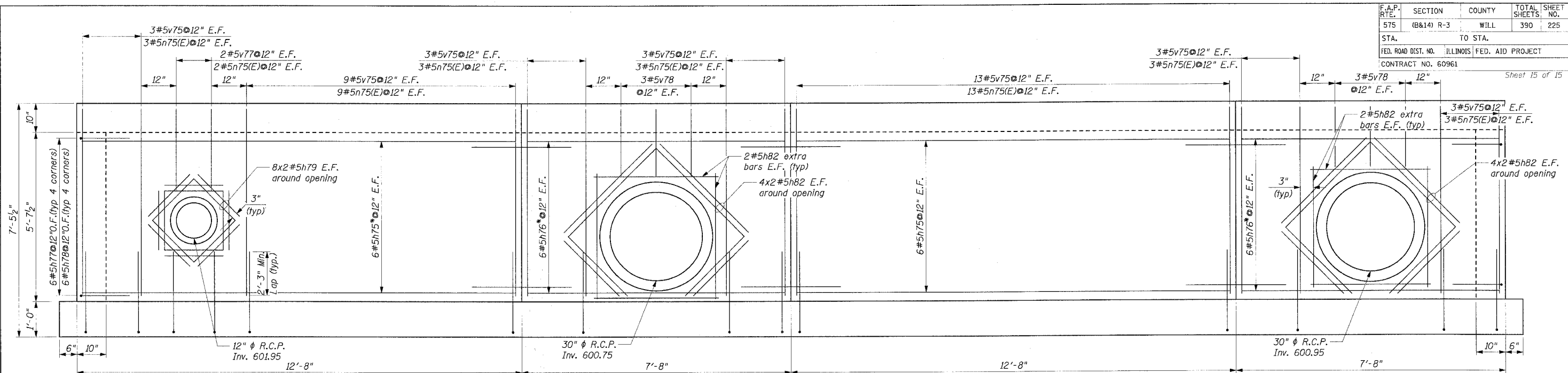
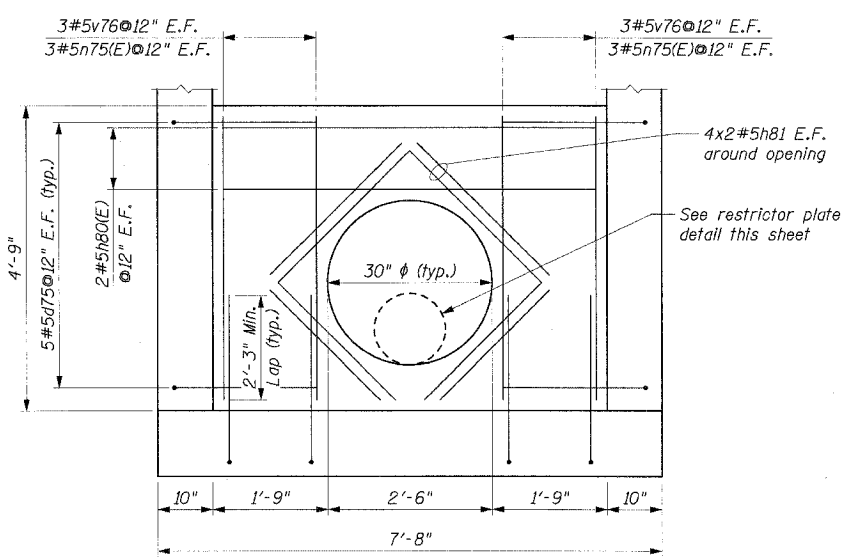


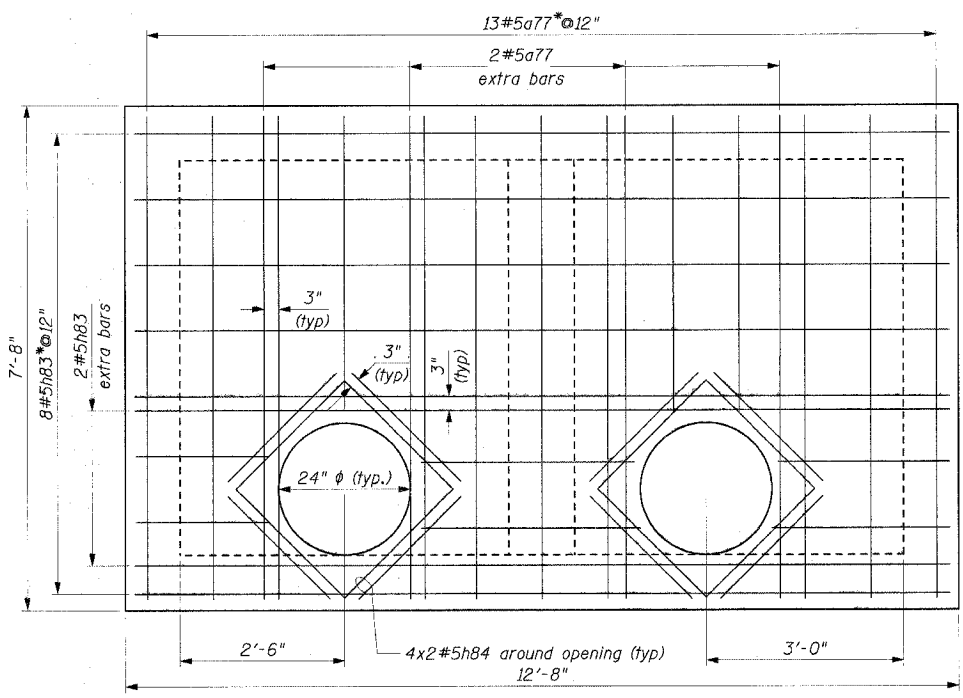
F.A.P. RTE.	SECTION	COUNTY	TOTAL SHEETS	SHEET NO.
575	(B&14) R-3	WILL	390	225
STA.	TO STA.			
FED. ROAD DIST. NO.	ILLINOIS	FED. AID PROJECT		
CONTRACT NO. 60961			Sheet 15 of 15	



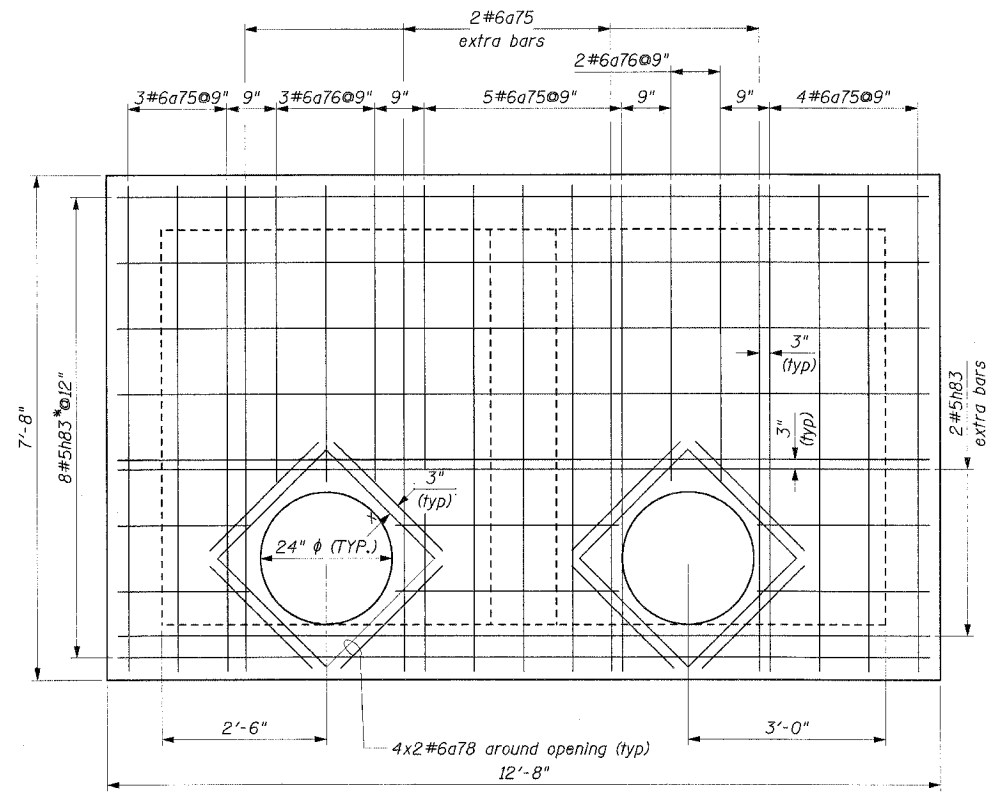
**PROJECTED ELEVATION**



**RESTRICTOR WALL ELEVATION**



**TOP SLAB TOP REINFORCEMENT PLAN**



**TOP SLAB BOTTOM REINFORCEMENT PLAN**

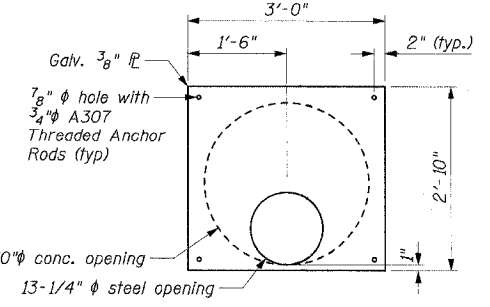
\* Cut bars in field to fit & avoid openings

REVISIONS	
NAME	DATE

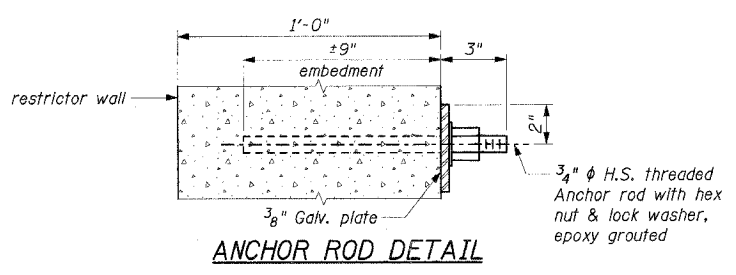
ILLINOIS DEPARTMENT OF TRANSPORTATION  
**SPECIAL STRUCTURE SP-7  
 OUTLET 19**  
 FAP RTE. 575 (U.S.30)  
 SECTION (B & 14) R-3  
 WILL COUNTY

SCALE: VERT. NONE  
 HORIZ.  
 DATE: 3/1/05  
 DRAWN BY: GRS  
 CHECKED BY: ATI

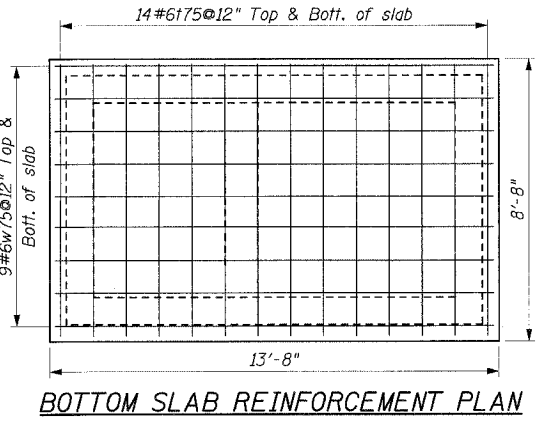
**CMT**  
 CRAWFORD MURPHY & TILLY, INC.  
 CONSULTING ENGINEERS  
 SPRINGFIELD, IL ■ AURORA, IL ■ ST. LOUIS, MO



**RESTRICTOR PLATE DETAIL**



**ANCHOR ROD DETAIL**



**BOTTOM SLAB REINFORCEMENT PLAN**

I:\cmt\00060602\draw\other\drainage\_structures\structure-7b.dgn