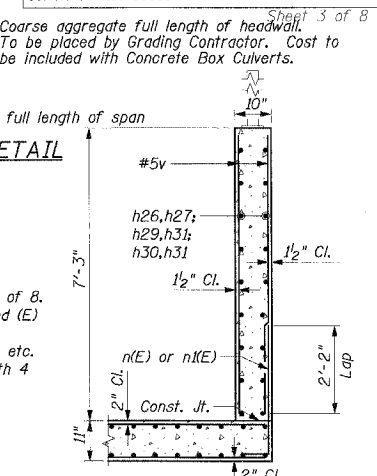
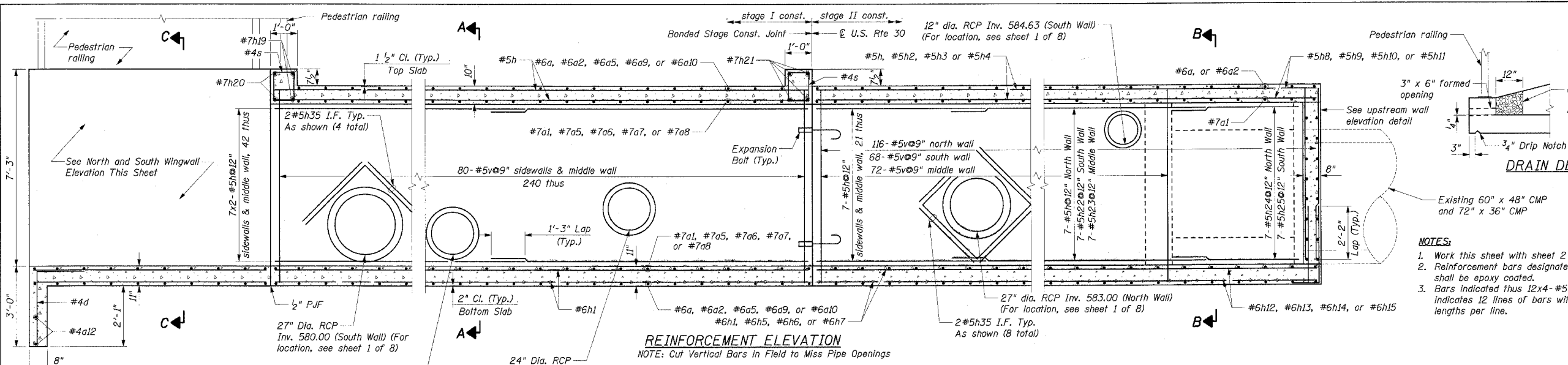
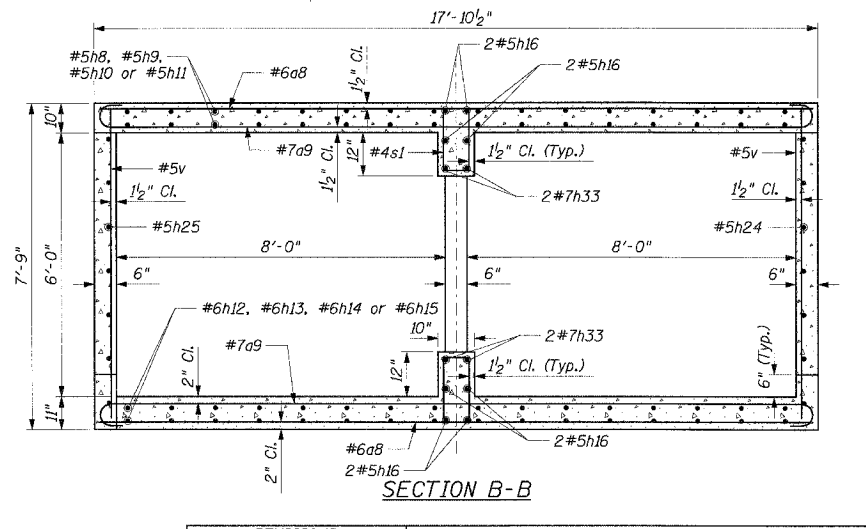
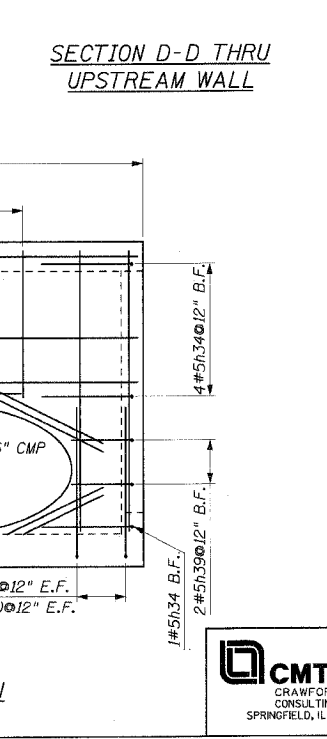
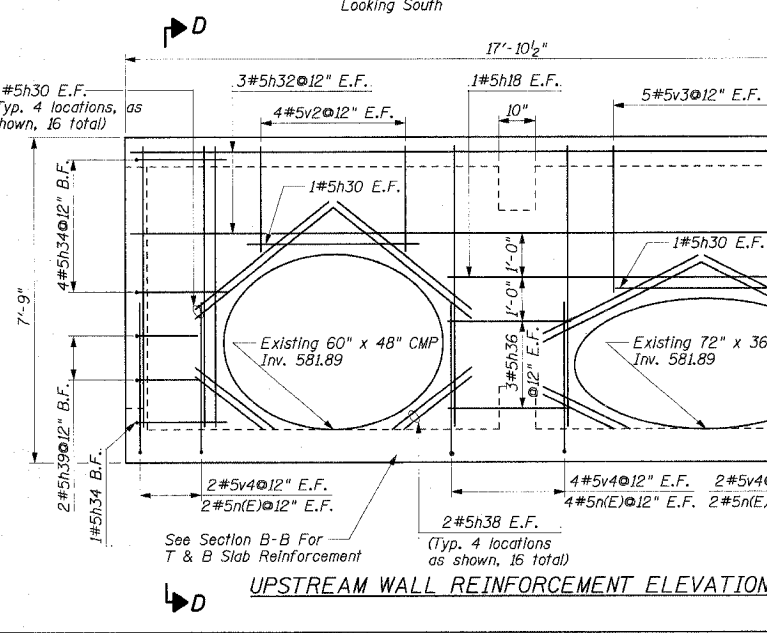
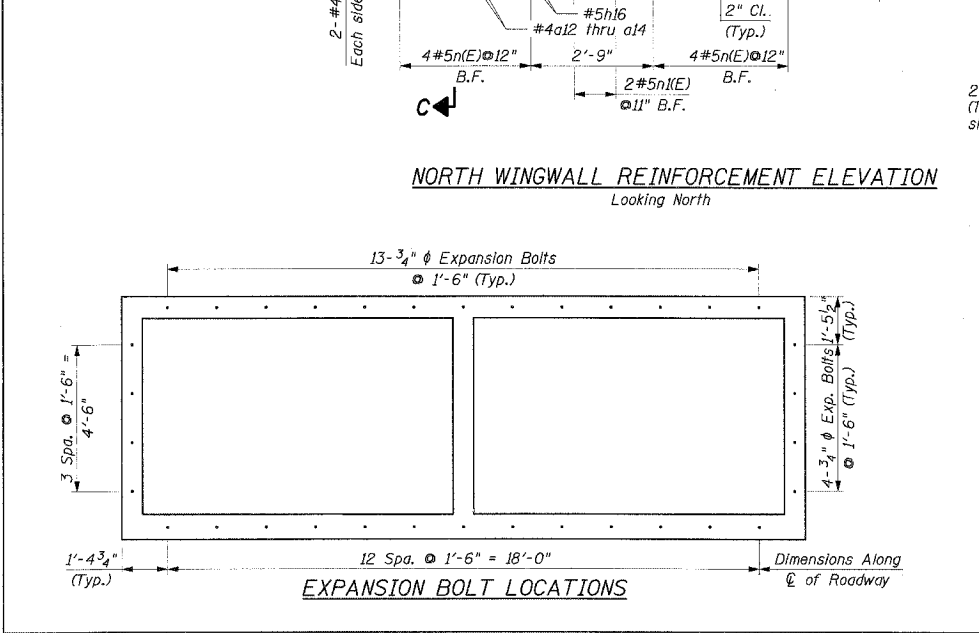
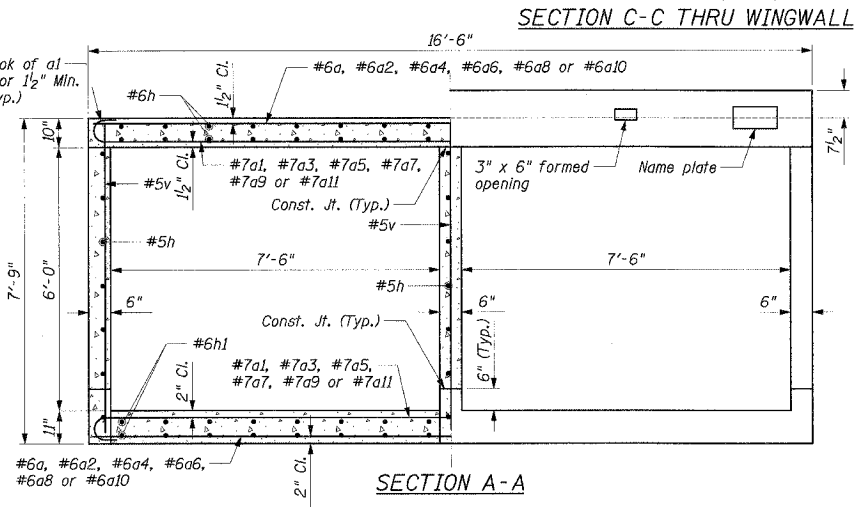
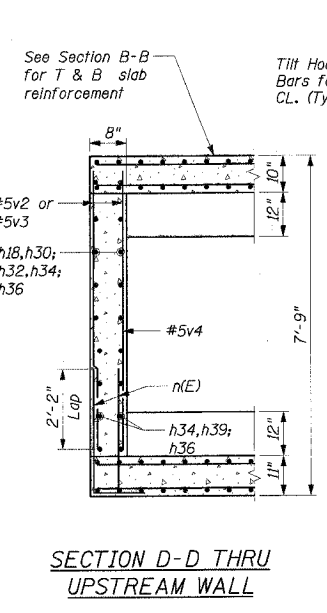
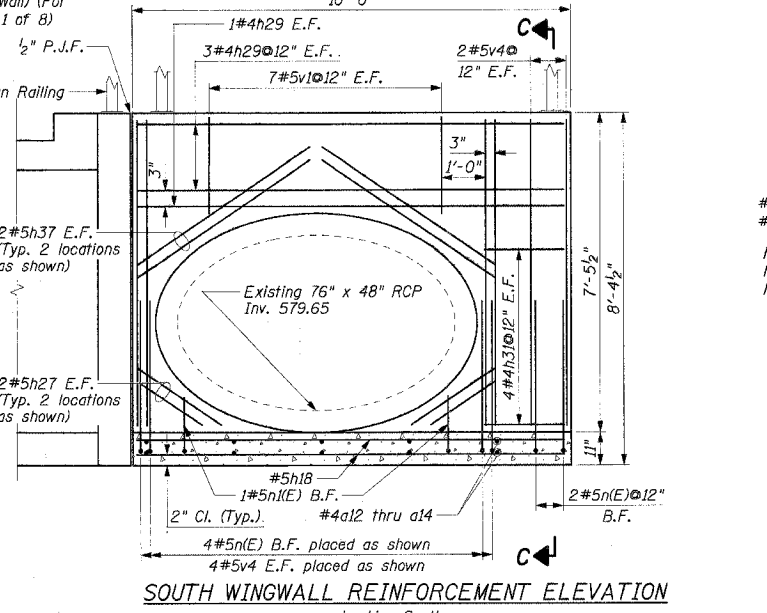
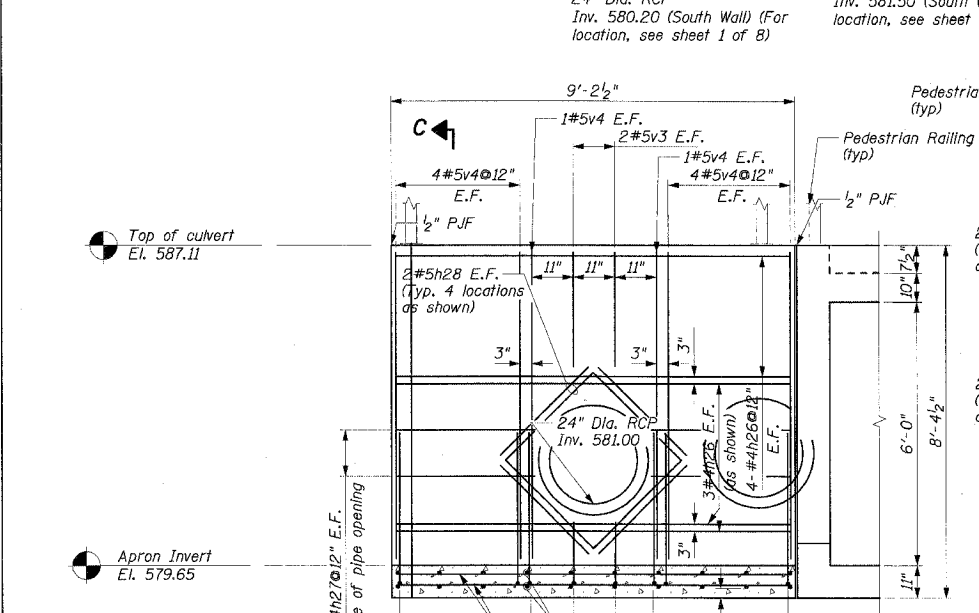


F.A.P. RTE.	SECTION	COUNTY	TOTAL SHEETS	SHEET NO.
575	(B&I) R-3	WILL	390	228
STA.	TO STA.			
FED. ROAD DIST. NO.	ILLINOIS	FED. AID PROJECT		
CONTRACT NO. 60961				



- NOTES:**
1. Work this sheet with sheet 2 of 8.
 2. Reinforcement bars designated (E) shall be epoxy coated.
 3. Bars indicated thus 12x4-#5 etc. indicates 12 lines of bars with 4 lengths per line.

SECTION C-C THRU WINGWALL

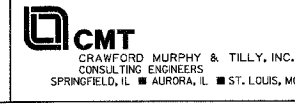


REVISIONS	
NAME	DATE

ILLINOIS DEPARTMENT OF TRANSPORTATION
BOX CULVERT REINFORCEMENT DETAILS II
 F.A.P. RTE. 575 (U.S.30)
 U.S. ROUTE 30 OVER ROCK RUN CREEK
 SECTION (B & I) R-3 STA. 720+97.50
 WILL COUNTY
 S.N. 099-C002

SCALE: VERT. NONE
 HORIZ. DATE: 3/1/05

DRAWN BY: GRS
 CHECKED BY: ATI



I:\data\000662\draw\other\culvert\sheet3.dgn