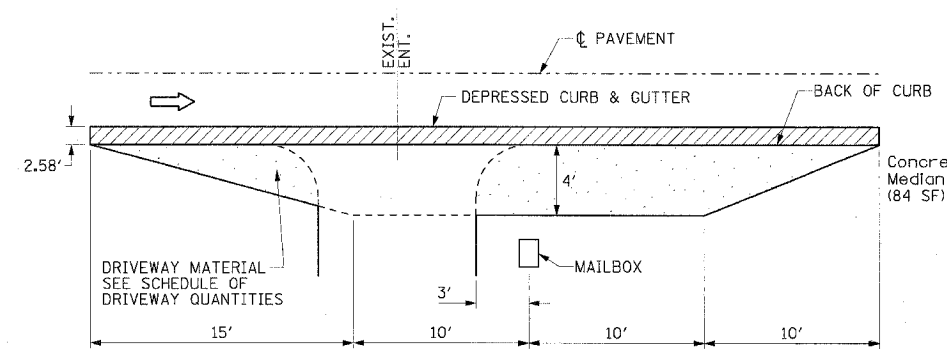
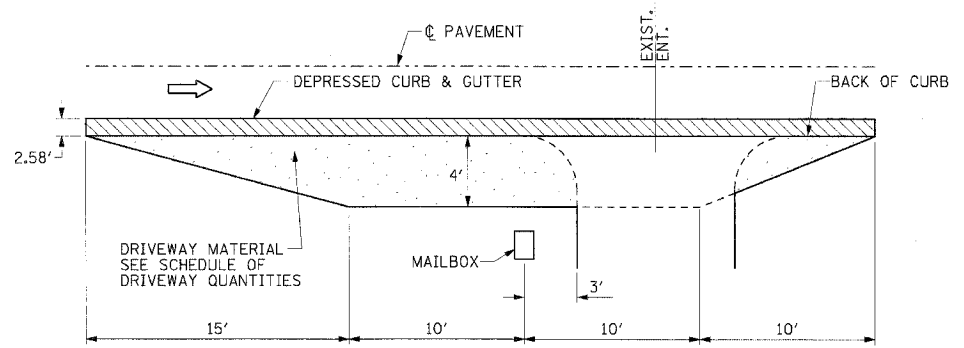


F.A.P. RTE.	SECTION	COUNTY	TOTAL SHEETS	SHEET NO.
575	(B&I4) R-3	WILL	390	237
STA.		TO STA.		
FED. ROAD DIST. NO.		ILLINOIS FED. AID PROJECT		
CONTRACT NO. 60961				

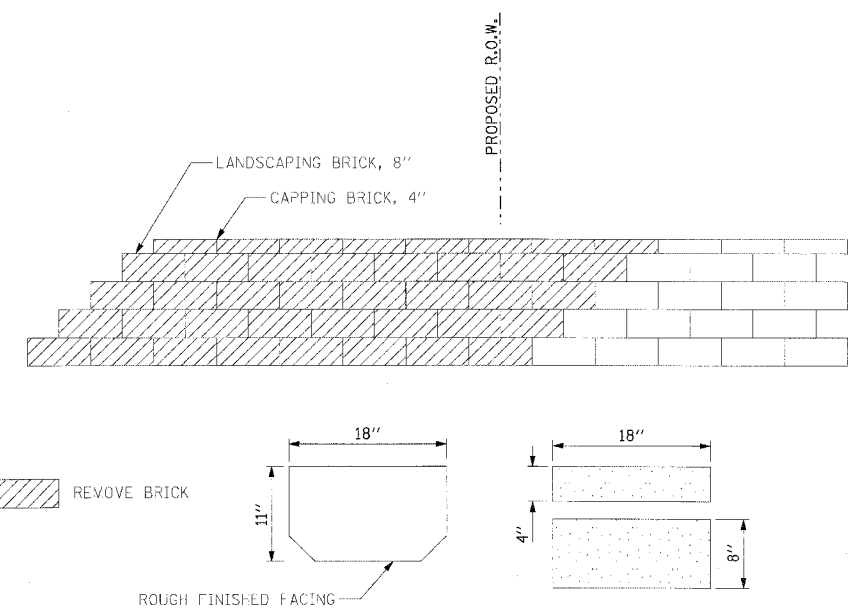


MAILBOX ON FAR SIDE OF ENTRANCE

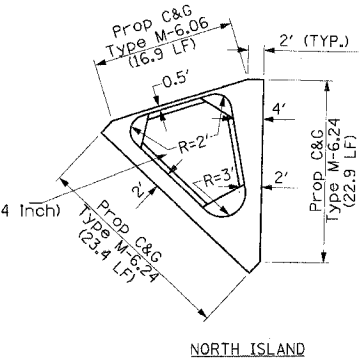


MAILBOX ON NEAR SIDE OF ENTRANCE

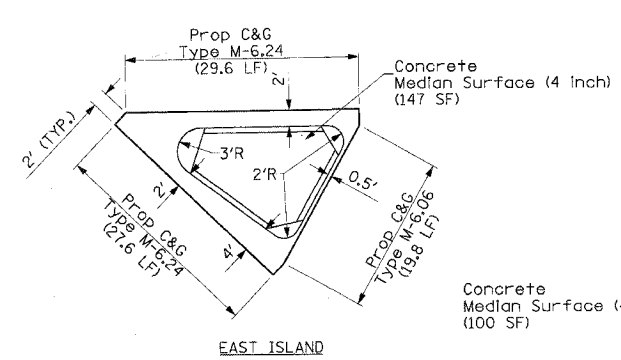
MAILBOX TURNOUTS



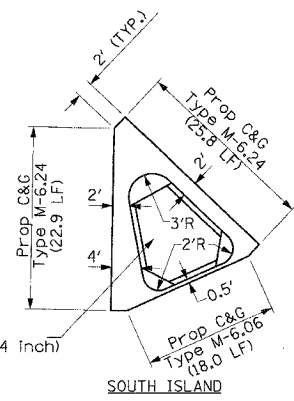
LANDSCAPING BRICK DETAILS
 RETAINING WALL REMOVAL
 STA. 783+13 RT.



NORTH ISLAND

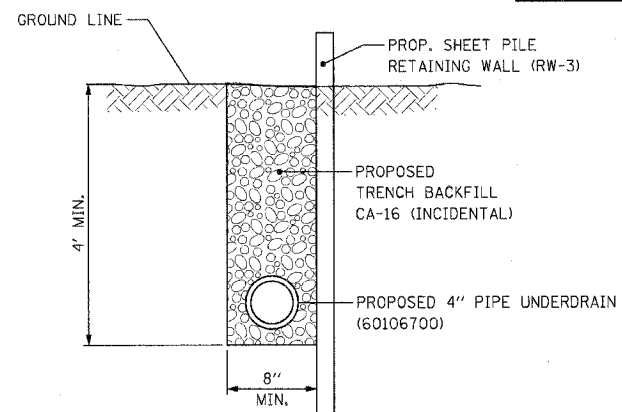


EAST ISLAND

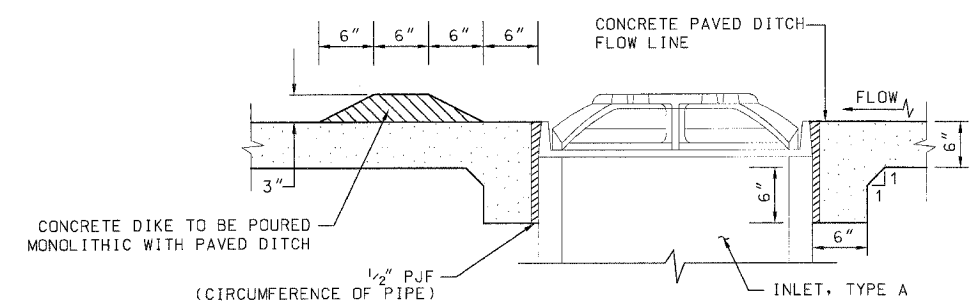


SOUTH ISLAND

KELLOGG/ FLOWER/ ROUTE 30 ISLANDS

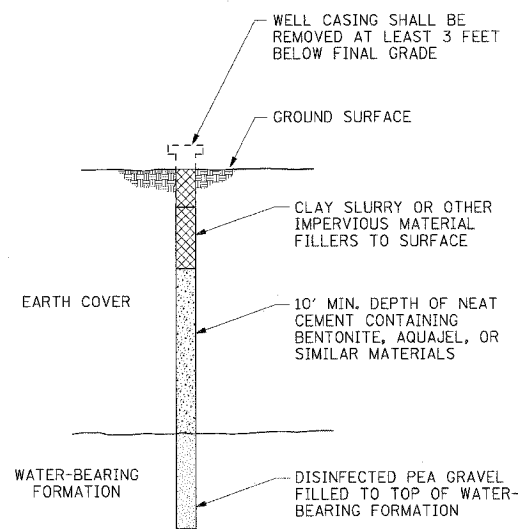


PROPOSED UNDERDRAIN DETAIL



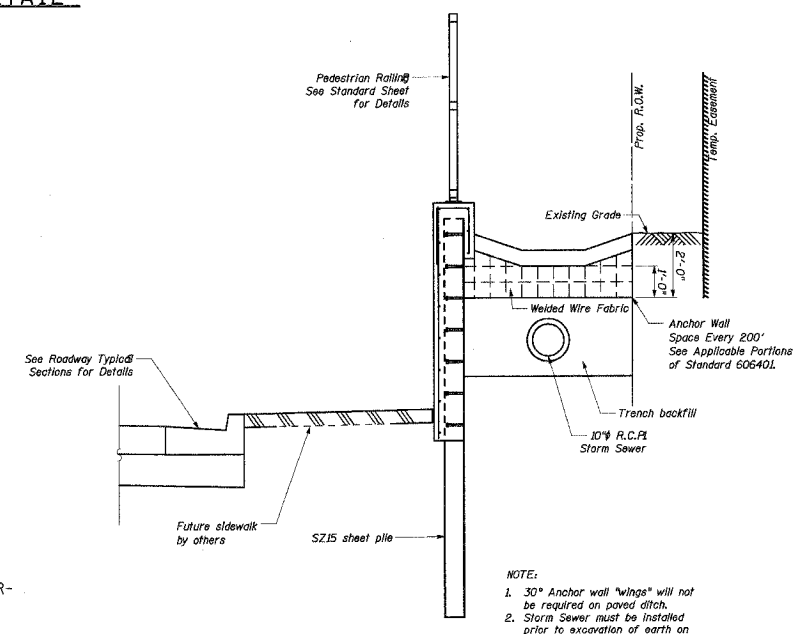
CONCRETE DIKE AND INLET DETAIL

NOT TO SCALE



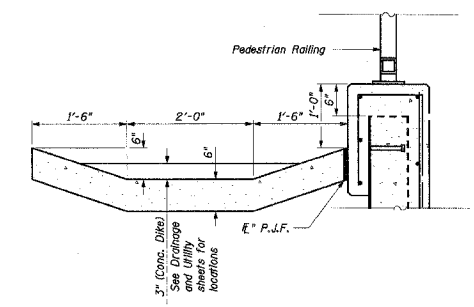
FRESH WATER WELL ABANDONMENT

DETAILED DESCRIPTION OF ABANDONED WELL SEALING AND DISINFECTION CAN BE FOUND IN SECTIONS 920.100 (b) AND 920.120 OF THE ILLINOIS WATER WELL CONSTRUCTION CODE AVAILABLE THROUGH THE ILLINOIS DEPARTMENT OF PUBLIC HEALTH.



PAVED DITCH W/ STORM SEWER DETAIL

NOTE:
 1. 30" Anchor wall "wings" will not be required on paved ditch.
 2. Storm Sewer must be installed prior to excavation of earth on outside face of wall.



PAVED DITCH TYPICAL DETAIL

REVISIONS	
NAME	DATE

ILLINOIS DEPARTMENT OF TRANSPORTATION
 MISC. CONSTRUCTION DETAILS
 US ROUTE 30
 SHEET 1 OF 4
 SCALE: VERT. NONE
 HORIZ. NONE
 DATE: 3/1/05
 DRAWN BY: SNH
 CHECKED BY: KDF/AMB

CMT
 CRAWFORD MURPHY & TILLY, INC.
 CONSULTING ENGINEERS
 SPRINGFIELD, IL ■ AURORA, IL ■ ST. LOUIS, MO

I:\vdr\0006602\draw\bid\sheet\details-1.dgn