

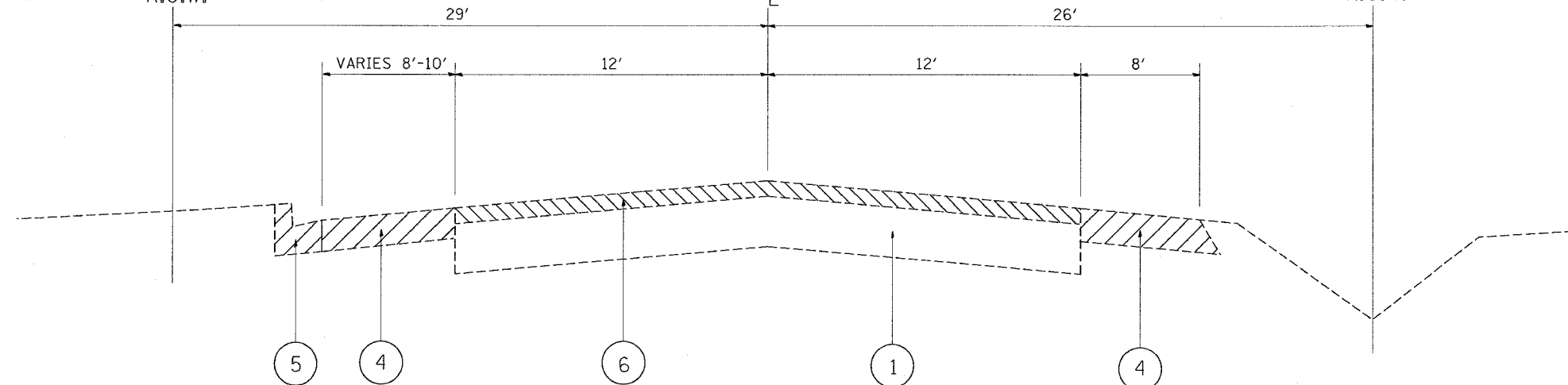
F.A.P. RTE.	SECTION	COUNTY	TOTAL SHEETS	SHEET NO.
575	14-B-R-1&15N-3	WILL	143	7
STA.		TO STA.		
FED. ROAD DIST. NO.		ILLINOIS	FED. AID PROJECT	

CONTRACT # 62098

LEGEND

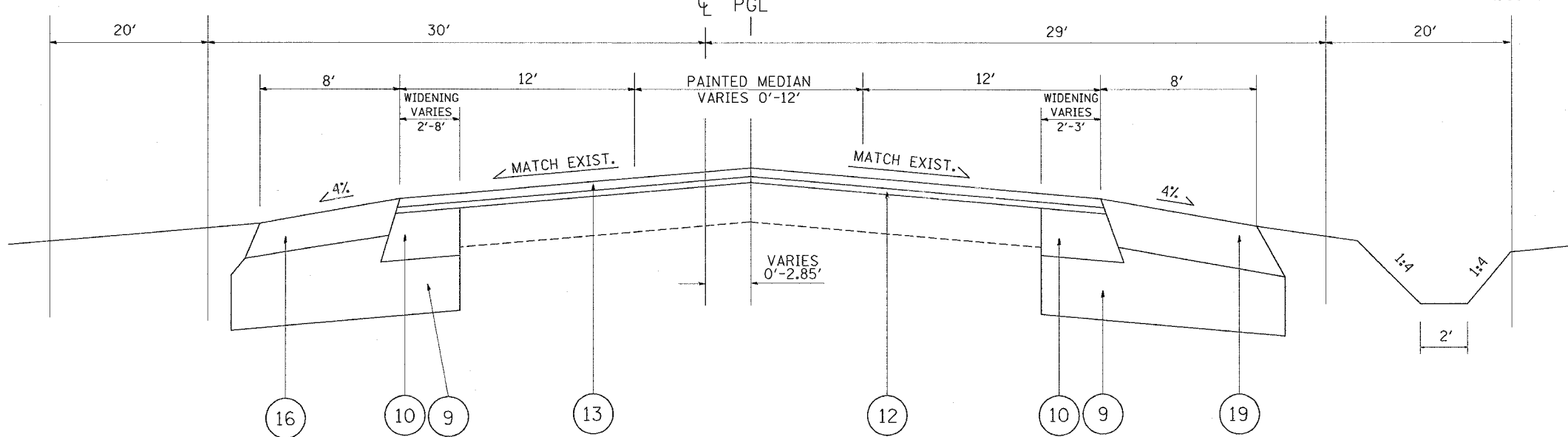
- ① EXISTING PAVEMENT (US 30), ± 14"
- ①A EXISTING PAVEMENT (LILY CACHE RD), ± 8"
- ② EXISTING BITUMINOUS SHOULDER
- ③ PROPOSED PAVEMENT REMOVAL
- ④ PROPOSED SHOULDER REMOVAL
- ⑤ PROPOSED CURB AND GUTTER REMOVAL
- ⑥ PROPOSED BITUMINOUS SURFACE REMOVAL, VARIABLE DEPTH 3/4" TO 2 1/2"
- ⑦ PROPOSED JOINTED PORTLAND CEMENT CONCRETE, 10 1/2 "
- ⑧ PROPOSED BITUMINOUS STABILIZED SUB-BASE, 4"
- ⑨ PROPOSED AGGREGATE SUB-GRADE, 12"
- ⑩ PROPOSED BITUMINOUS CONCRETE BINDER COURSE, IL-19.0, N70, 12" (WIDENING 12 1/2 ")
- ⑪ PROPOSED BITUMINOUS CONCRETE BINDER COURSE, SUPERPAVE, IL-19.0, N50, 7 1/4 "
- ⑫ PROPOSED POLYMERIZED LEVELING BINDER (MACHINE METHOD), IL-4.75, N50, (VARIES 3/4 " TO 1 1/2 ")
- ⑬ PROPOSED BITUMINOUS CONCRETE SURFACE COURSE, MIX "D", N70, 2" (RESURFACING + WIDENING USE 1 1/2 ")
- ⑭ PROPOSED BITUMINOUS CONCRETE SURFACE COURSE, SUPERPAVE, MIX "C", N50, 1 1/2 "
- ⑮ PROPOSED BITUMINOUS CONCRETE SURFACE COURSE, SUPERPAVE, MIX "D", N70, 1 1/2 "
- ⑯ PROPOSED BITUMINOUS SHOULDER, 8"
- ⑰ PROPOSED AGGREGATE SHOULDER, TYPE B
- ⑱ PROPOSED RETAINING WALL (STA. 29+08 TO STA. 32+92)
- ⑲ PROPOSED BITUMINOUS SHOULDER, 12"
- ⑳ PROPOSED NO. 6 EPOXY COATED DEFORMED BARS AT 24" CENTERS INCLUDED IN THE COST OF THE PROPOSED PAVEMENT

EXIST. R.O.W. 29' 26' EXIST. R.O.W.



EXISTING TYPICAL SECTION
U.S. ROUTE 30
STA. 14+30 TO STA. 17+00

PROP. R.O.W. EXIST. R.O.W. PROP. CL PGL EXIST. R.O.W. PROP. R.O.W.



PROPOSED TYPICAL SECTION
U.S. ROUTE 30
STA. 14+30 TO STA. 17+00

QC/QA CONCRETE SCHEDULE

QC/QA CONCRETE	THICKNESS	TOTAL (CU. YD.)
PORTLAND CEMENT CONCRETE PAVEMENT (JOINTED)	10 1/2"	1333
TOTAL QC/QA CONCRETE (CU. YD.)		1333

REVISIONS	
NAME	DATE

ILLINOIS DEPARTMENT OF TRANSPORTATION
U.S. ROUTE 30
@ LILY CACHE ROAD
EXISTING/ PROPOSED
TYPICAL SECTIONS

SCALE: VERT. DATE
HORIZ. DRAWN BY
CHECKED BY

PLOT DATE = 5/26/2005
PLOT SCALE = 1/8"=1'-0"
REFERENCE = #REF#