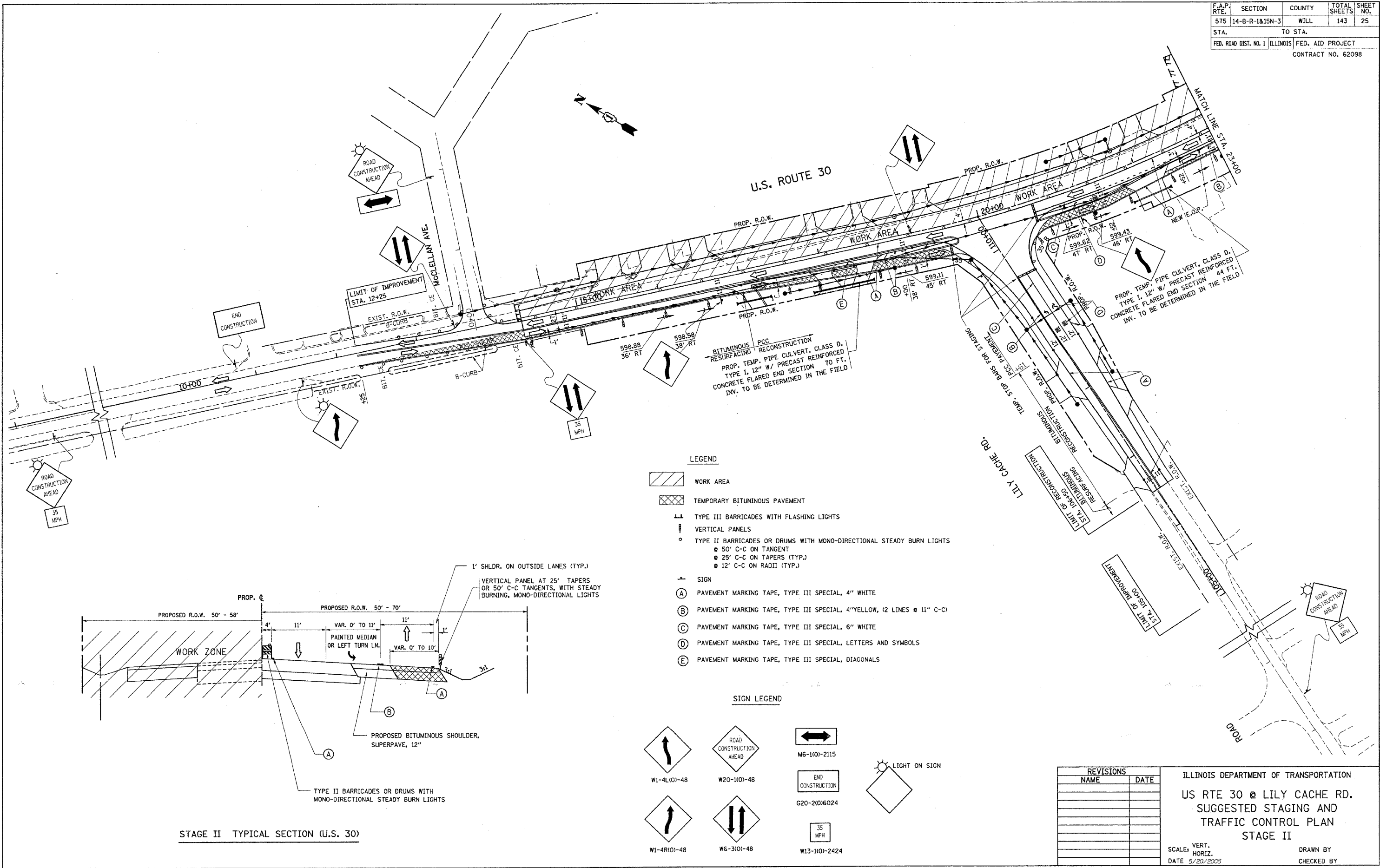
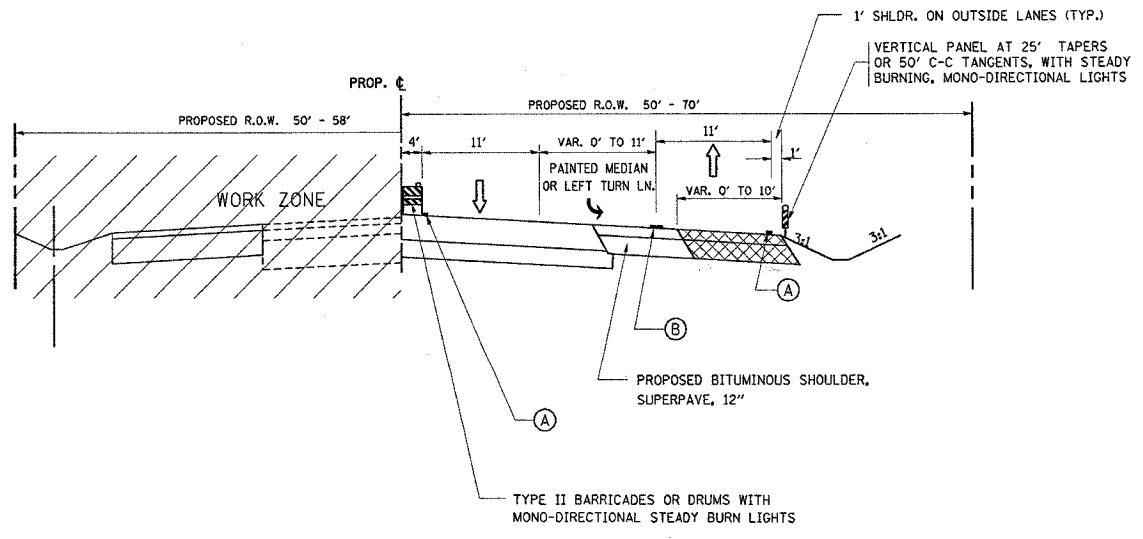


F.A.P. RTE.	SECTION	COUNTY	TOTAL SHEETS	SHEET NO.
575	14-B-R-1&15N-3	WILL	143	25
STA.		TO STA.		
FED. ROAD DIST. NO. 1		ILLINOIS FED. AID PROJECT		
CONTRACT NO. 62098				



- LEGEND**
- WORK AREA
 - TEMPORARY BITUMINOUS PAVEMENT
 - TYPE III BARRICADES WITH FLASHING LIGHTS
 - VERTICAL PANELS
 - TYPE II BARRICADES OR DRUMS WITH MONO-DIRECTIONAL STEADY BURN LIGHTS
 - 50' C-C ON TANGENT
 - 25' C-C ON TAPERS (TYP.)
 - 12' C-C ON RADII (TYP.)
 - SIGN
 - (A) PAVEMENT MARKING TAPE, TYPE III SPECIAL, 4" WHITE
 - (B) PAVEMENT MARKING TAPE, TYPE III SPECIAL, 4" YELLOW, (2 LINES • 11" C-C)
 - (C) PAVEMENT MARKING TAPE, TYPE III SPECIAL, 6" WHITE
 - (D) PAVEMENT MARKING TAPE, TYPE III SPECIAL, LETTERS AND SYMBOLS
 - (E) PAVEMENT MARKING TAPE, TYPE III SPECIAL, DIAGONALS

- SIGN LEGEND**
- W1-4L(0)-48
 - W20-1(0)-48
 - M6-1(0)-2115
 - END CONSTRUCTION
 - G20-2(0)6024
 - 35 MPH
 - W13-1(0)-2424
 - ROAD CONSTRUCTION AHEAD
 - LIGHT ON SIGN



REVISIONS	
NAME	DATE

ILLINOIS DEPARTMENT OF TRANSPORTATION
 US RTE 30 @ LILY CACHE RD.
 SUGGESTED STAGING AND TRAFFIC CONTROL PLAN
 STAGE II

SCALE: VERT. _____
 HORIZ. _____
 DATE 5/20/2005

DRAWN BY _____
 CHECKED BY _____