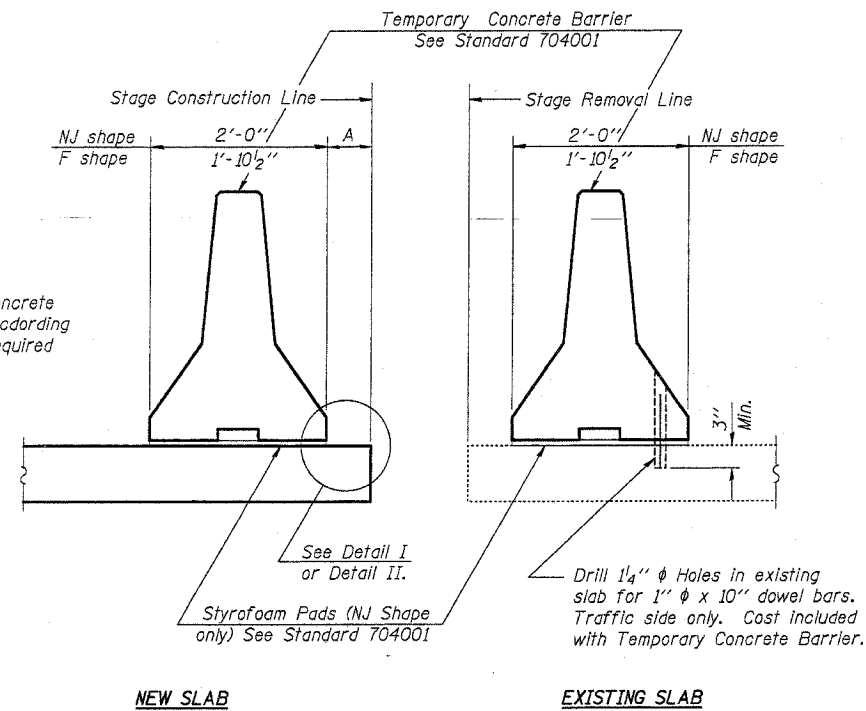


ROUTE NO.	SECTION	COUNTY	SHEET NO.	SHEET
F.A.P. 0575	14BR	WILL	143	68
FED. ROAD DIST. NO. 7	ILLINOIS	FED. AID PROJECT		

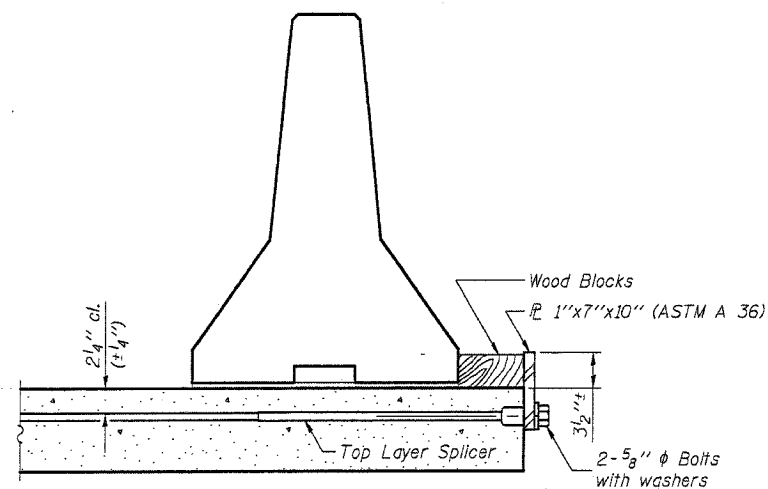
SHEET NO. S-4

9-30 SHEETS

Contract No. 62098

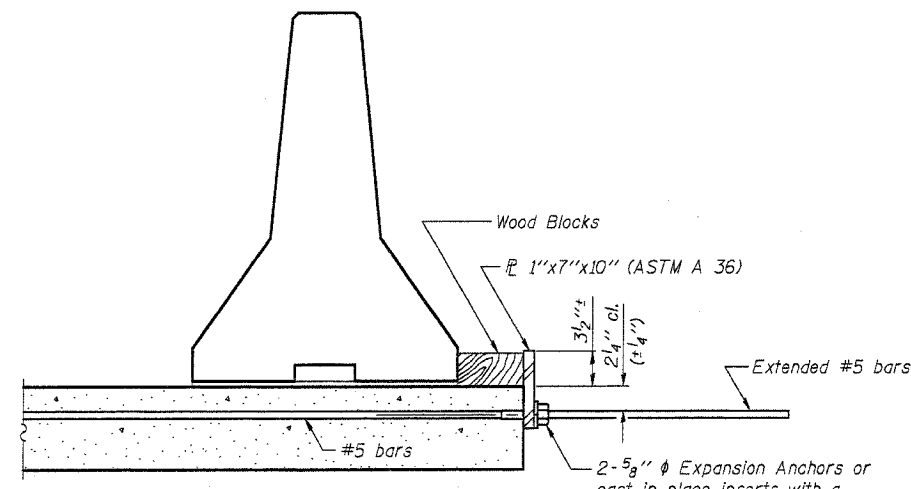


SECTION THRU SLAB



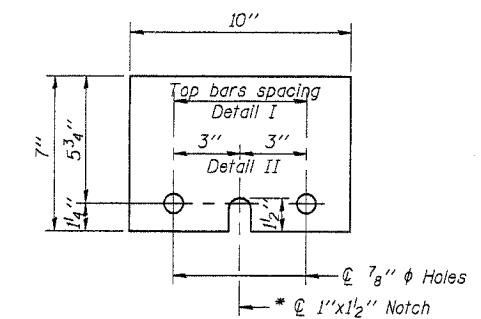
DETAIL I

The 1" x 7" x 10" Plate shall not be removed until Stage II Construction forms and reinforcement bars are in place.



DETAIL II

The 1" x 7" x 10" Plate shall not be removed until Stage II Construction forms and all reinforcement bars are in place and the concrete is ready to be placed.



1" x 7" x 10"

* Required only with Detail II

NOTES

- Detail I - With Bar Splicer or Couplers:
Connect one (1) 1" x 7" x 10" steel \bar{P} to the top layer of couplers with 2-5/8" ϕ bolts screwed to coupler at approximate ϕ of each barrier panel.
- Detail II - With Extended Reinforcement Bars:
Connect one (1) 1" x 7" x 10" steel \bar{P} to the concrete slab with 2-5/8" ϕ Expansion Anchors or cast in place inserts spaced between the top layer of reinforcement at approximate ϕ of each barrier panel.
- Cost of anchorage is included with Temporary Concrete Barrier.
For pay item "Temporary Concrete Barrier", see Roadway plans.

DESIGNED	MJM
CHECKED	WHE
DRAWN	EAB
CHECKED	WHE

R-27 9-01-03

LOWCO, INC.
CONSULTING ENGINEERS 630 NORTH WASHINGTON ST., SUITE 205
NAPERVILLE, ILLINOIS 60563 (630) 577-9100

REVISIONS	
NAME	DATE

ILLINOIS DEPARTMENT OF TRANSPORTATION
TEMPORARY CONCRETE BARRIER
FOR STAGE CONSTRUCTION
US ROUTE 30 (LINCOLN HIGHWAY)
OVER LILY CACHE CREEK
WILL COUNTY
F.A.P. ROUTE 0575 SEC. 14BR
STATION 28+22.14 NEW STRUCTURE NO. 099-4648
DATE 03/24/05