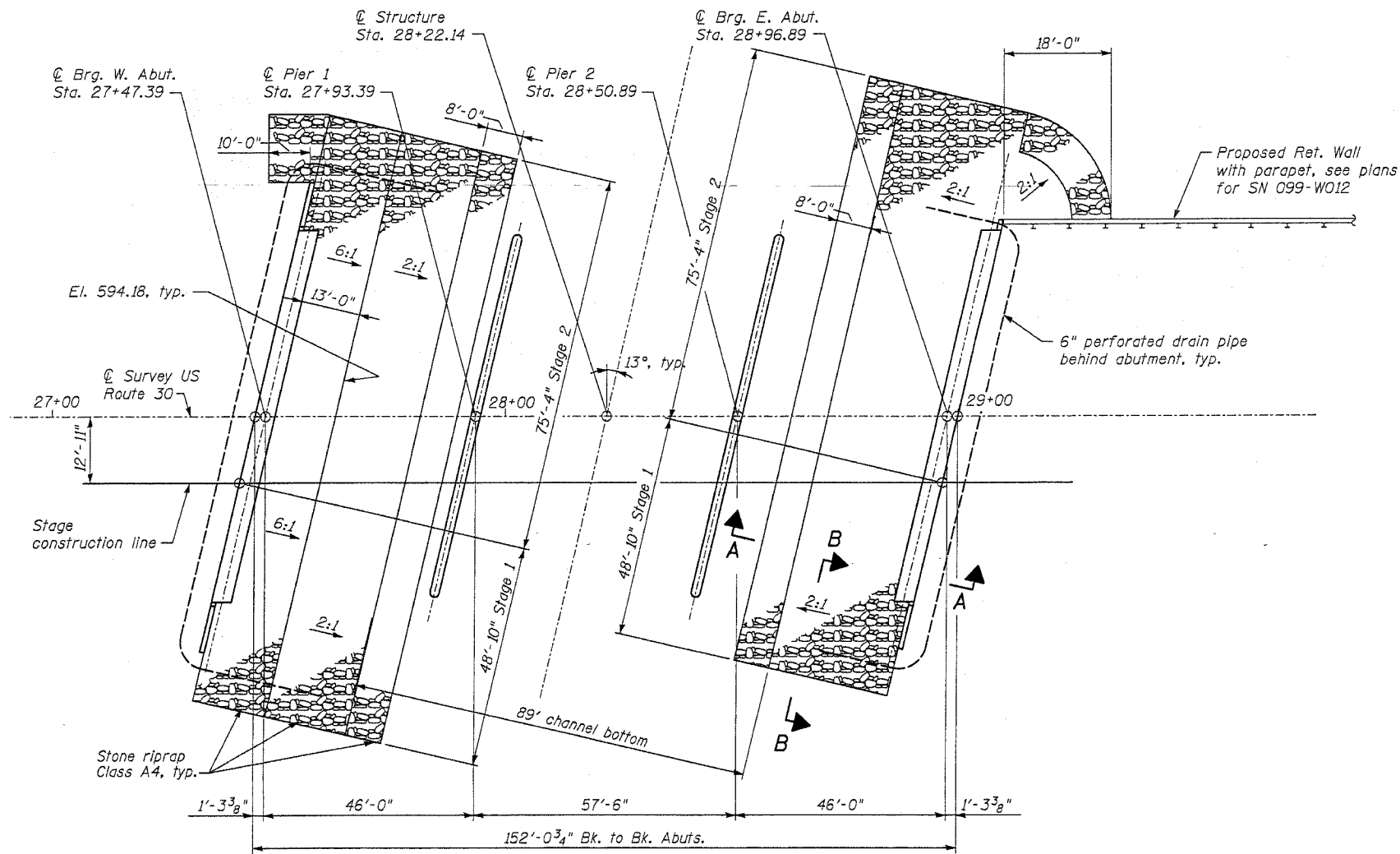


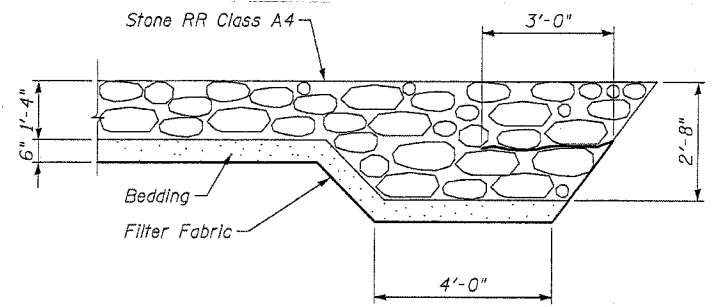
Contract No. 62098



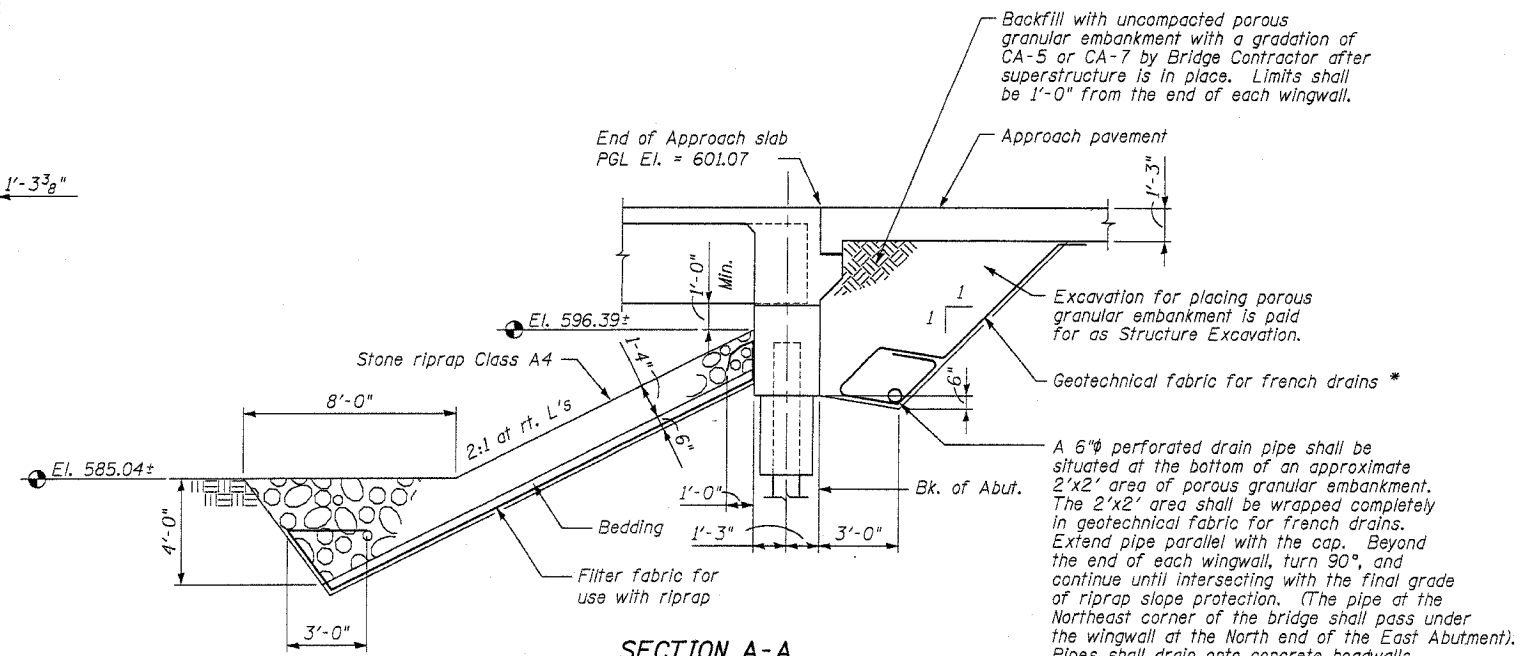
PLAN

BILL OF MATERIAL

Item	Unit	Quantity
Stone Riprap, Class A4	Sq. Yd.	1091
Filter Fabric for use with riprap	Sq. Yd.	1077



SECTION B-B
Typical Flank Stone Riprap Treatment



SECTION A-A

West Abutment is similar with bench at top
 * Included in the cost of porous granular embankment. Porous granular embankment quantities are included in the Abutment Bill of Materials on sheets S-18 and S-19.

DESIGNED	MJM
CHECKED	WHE
DRAWN	EAB
CHECKED	WHE

REVISIONS	
NAME	DATE

LOWCO, INC.
 CONSULTING ENGINEERS 630 NORTH WASHINGTON ST., SUITE 205
 NAPERVILLE, ILLINOIS 60563 (630) 577-9100

ILLINOIS DEPARTMENT OF TRANSPORTATION
SUBSTRUCTURE LAYOUT AND SLOPE PROTECTION
 US ROUTE 30 (LINCOLN HIGHWAY)
 OVER LILY CACHE CREEK
 WILL COUNTY
 F.A.P. ROUTE 0575 SEC. 148R
 STATION 28+22.14 NEW STRUCTURE NO. 099-4648
 DATE 03/24/05