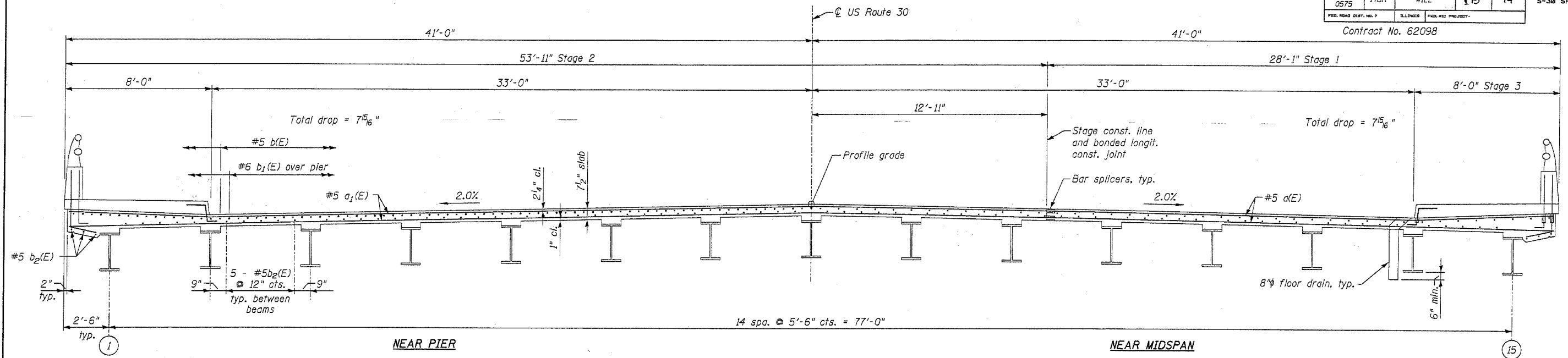
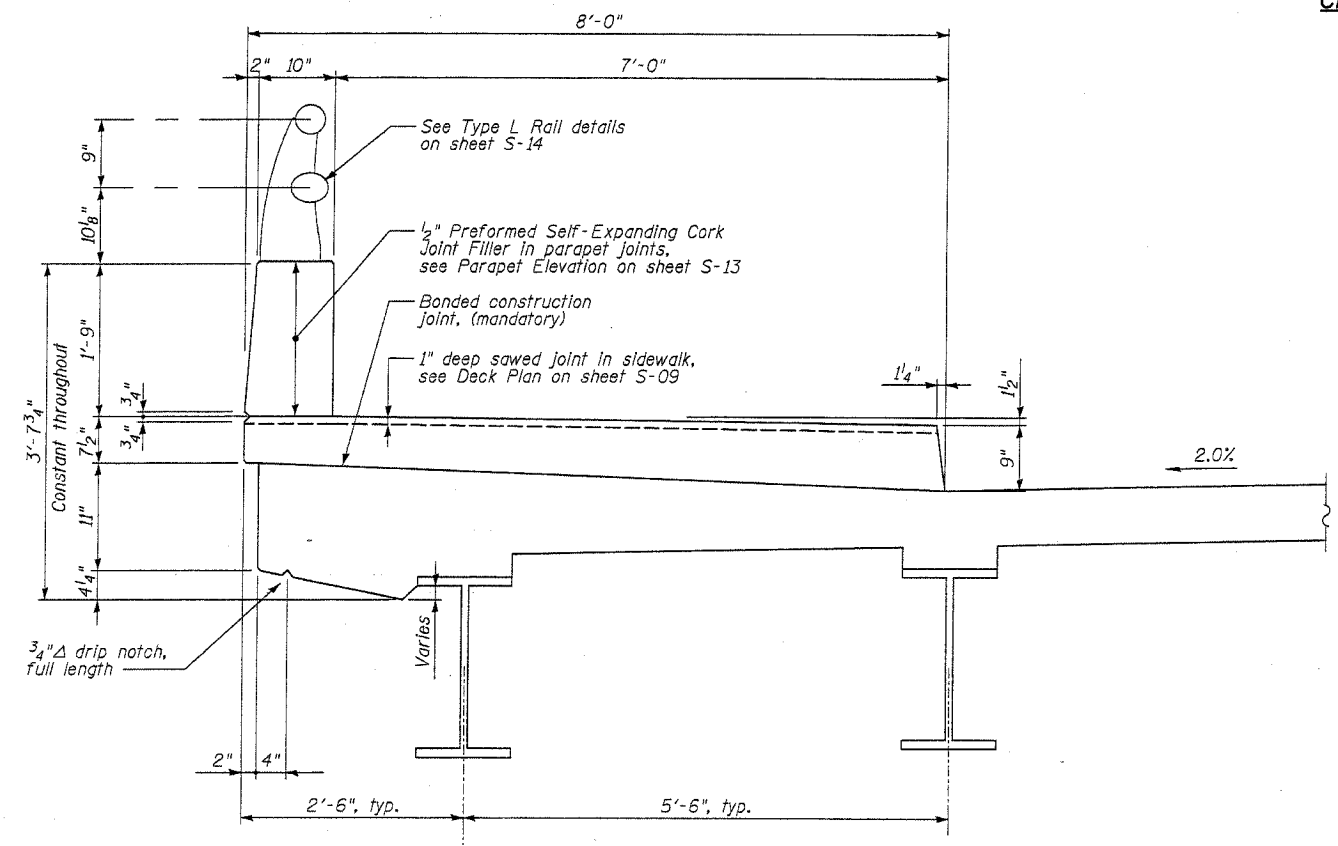


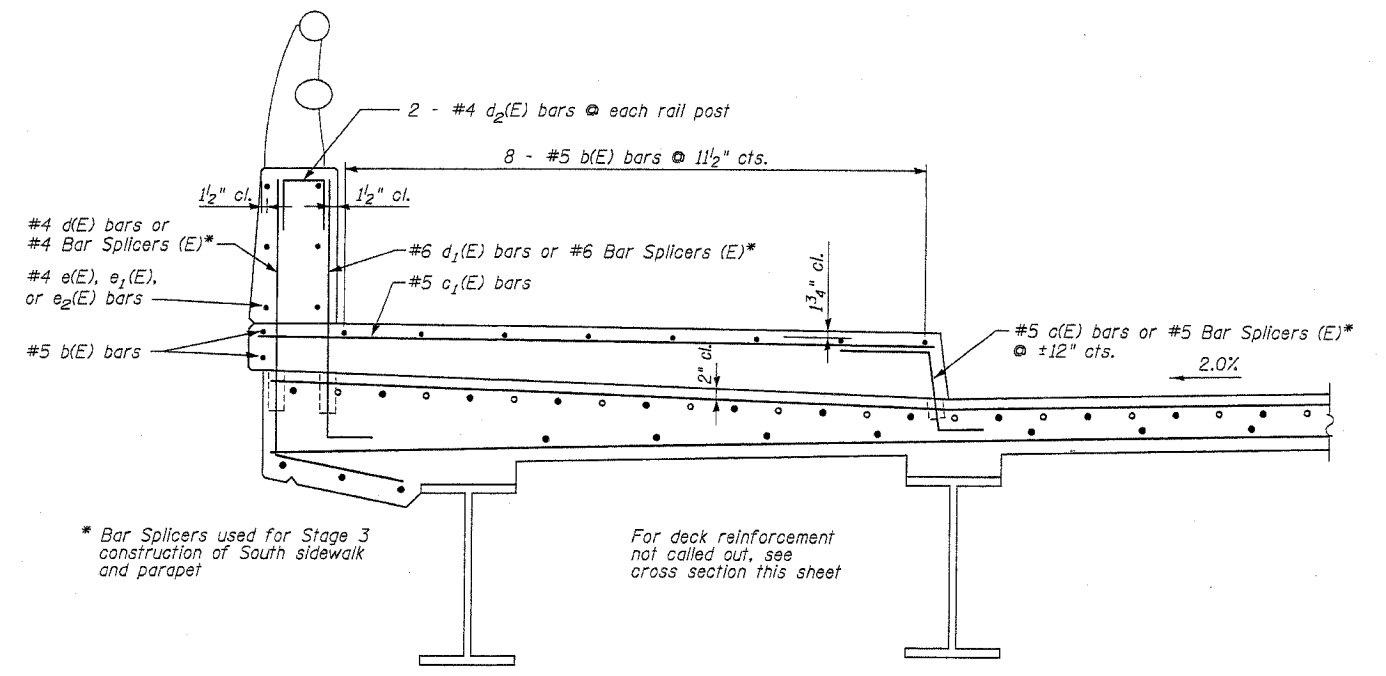
Contract No. 62098



CROSS SECTION
(Looking East)



SIDEWALK DETAIL



SIDEWALK REINFORCEMENT

DESIGNED	MJM
CHECKED	WHE
DRAWN	EAB
CHECKED	WHE

NOTES:

1. Reinforcement bars designated (E) shall be epoxy coated.
2. See sheet S-13 for Parapet Elevation and Superstructure Bill of Material.
3. See sheet S-25 for Cantilever Forming Bracket details.
4. All edges shall have standard 3/4" chamfers, except as noted.

LOWCO, INC.
CONSULTING ENGINEERS 630 NORTH WASHINGTON ST., SUITE 205
NAPERVILLE, ILLINOIS 60563 (630) 577-9100

REVISIONS	
NAME	DATE

ILLINOIS DEPARTMENT OF TRANSPORTATION
DECK CROSS SECTION AND DETAILS
US ROUTE 30 (LINCOLN HIGHWAY)
OVER LILY CACHE CREEK
WILL COUNTY
F.A.P. ROUTE 0575 SEC. 14BR
STATION 28+22.14 NEW STRUCTURE NO. 099-4648
DATE 03/24/05