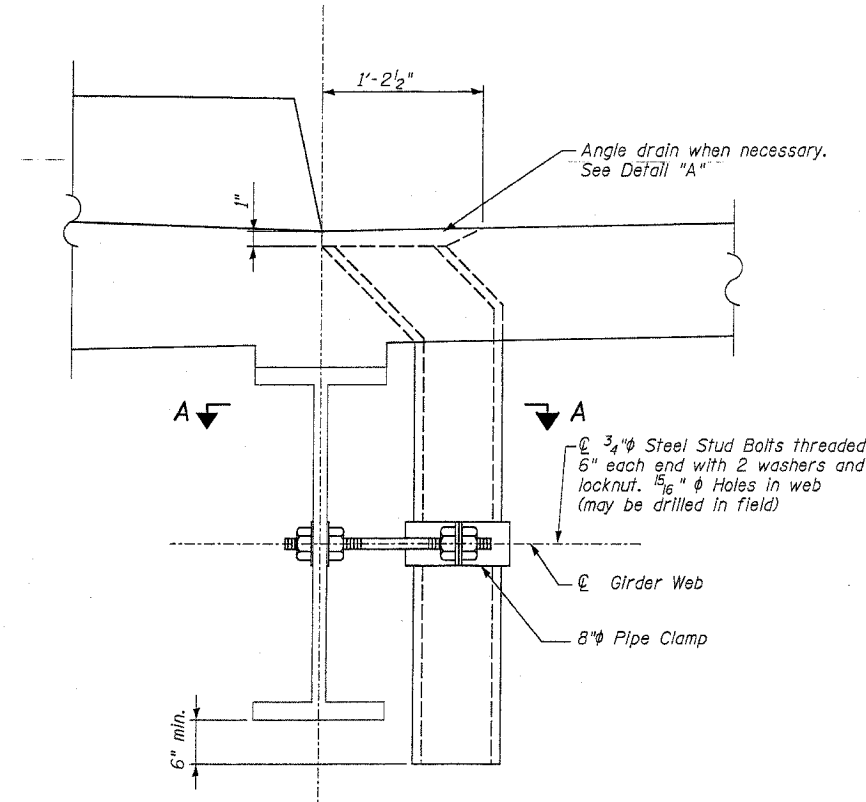
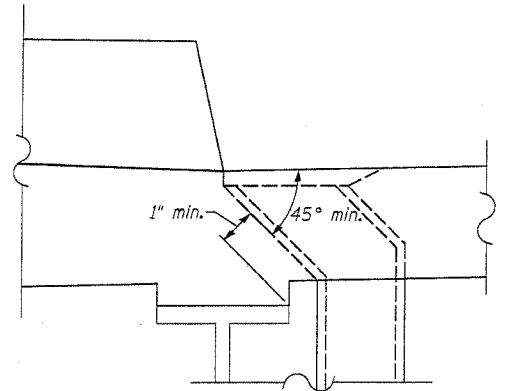


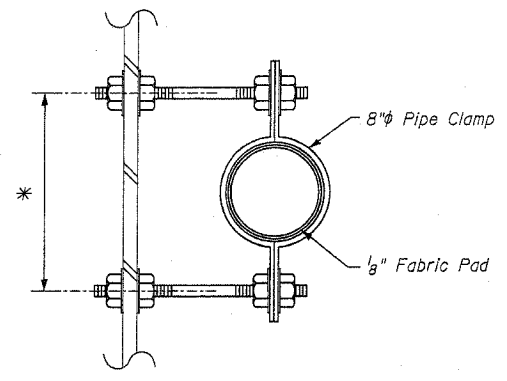
Contract No. 62098



SECTION AT SIDEWALK

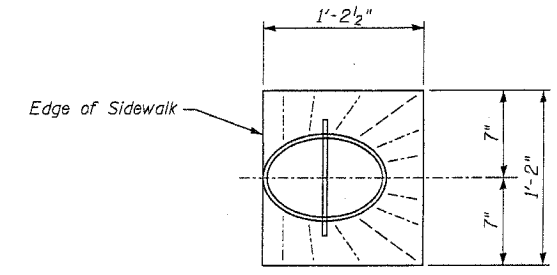


DETAIL "A"

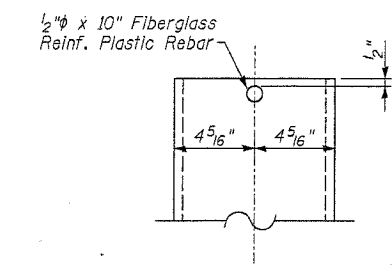


SECTION A-A

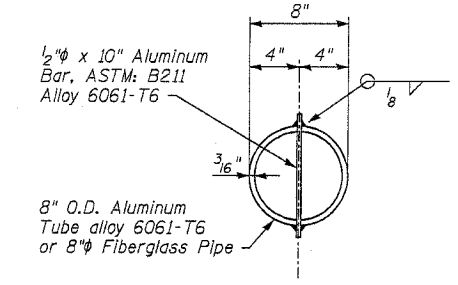
* Dimension as required by Pipe Clamp.



TOP PLAN

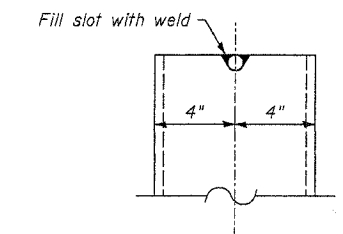


FIBERGLASS PIPE



TOP PLAN

(Showing Aluminum Tube)



ALUMINUM TUBE

BILL OF MATERIAL

Item	Unit	Quantity
Floor Drains	Each	18

NOTES:

The exterior surfaces of the floor drains shall be painted with the finish coat as specified in the special provisions for Cleaning and Painting New Metal Structures. The exterior surfaces of the drains shall be cleaned according to Steel Structures Painting Council's Spec. SSPC-SP1 prior to painting. Fiberglass pipe shall conform to ASTM D 2996, with short-time rupture strength hoop tensile stress of 30,000 p.s.i. minimum.

DESIGNED	MJM
CHECKED	WHE
DRAWN	EAB
CHECKED	WHE

LONGO, INC.
CONSULTING ENGINEERS 630 NORTH WASHINGTON ST., SUITE 205
NAPERVILLE, ILLINOIS 60563 (630) 577-9100

REVISIONS	
NAME	DATE

ILLINOIS DEPARTMENT OF TRANSPORTATION
FLOOR DRAIN DETAILS
US ROUTE 30 (LINCOLN HIGHWAY)
OVER LILY CACHE CREEK
WILL COUNTY
F.A.P. ROUTE 0575 SEC. 148R
STATION 28+22.14 NEW STRUCTURE NO. 099-4648
DATE 03/24/05