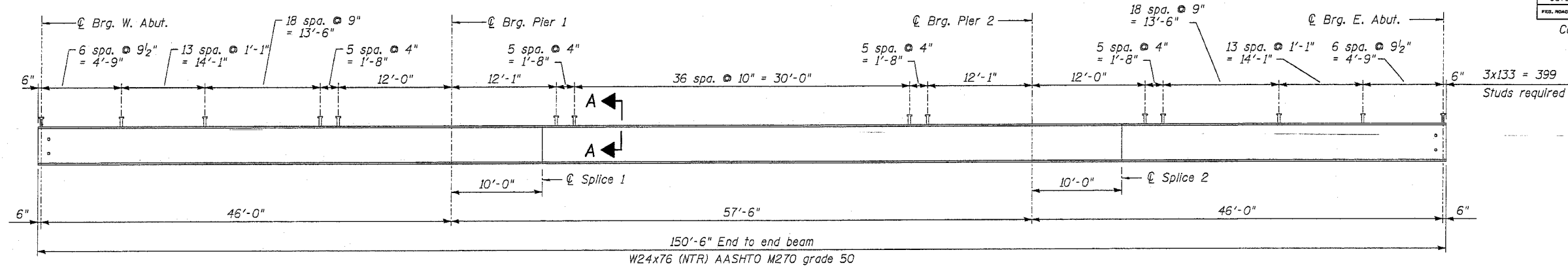


Contract No. 62098



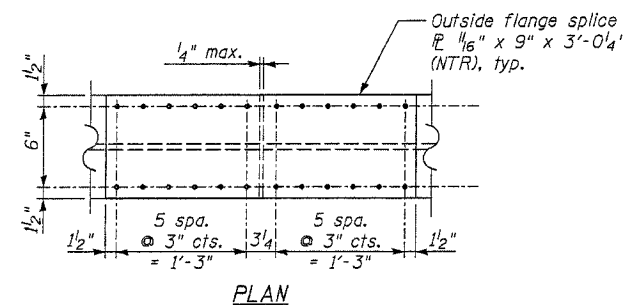
BILL OF MATERIAL

ITEM	UNIT	TOTAL
Furnishing and erecting structural steel	L. Sum	1
Stud shear connectors	Each	5985

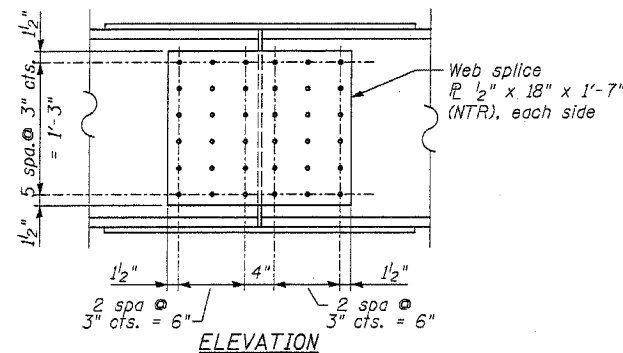
BEAM ELEVATION

NOTES:

- (NTR) = indicates notch toughness requirements.
- All splice plates shall be AASHTO M270 grade 50 steel.



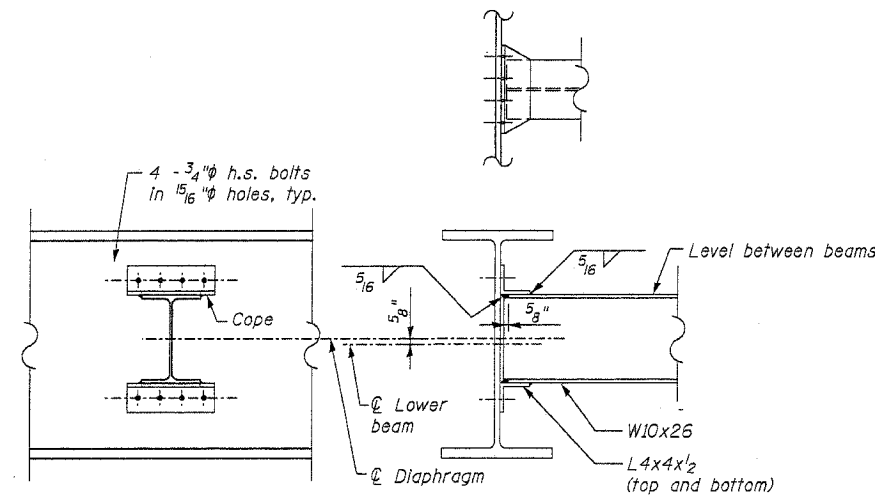
PLAN



ELEVATION

SPLICE

(30 required)
Note: All bolts shall be 7/8" h.s.

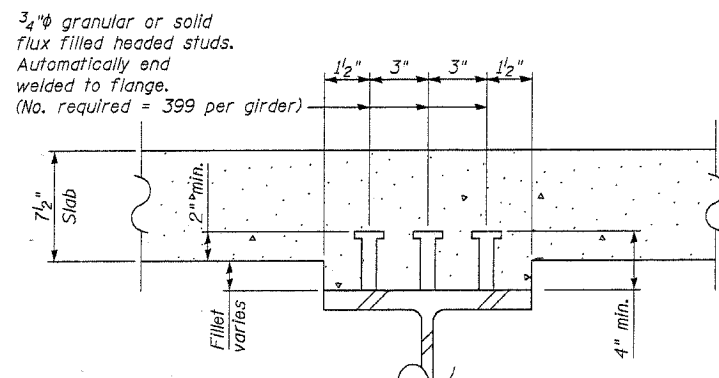


DIAPHRAGM D1

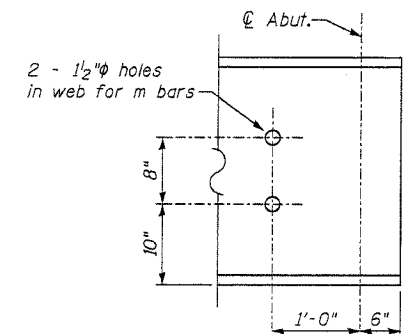
(126 required)

Notes:

- Two hardened washers shall be required over all oversize holes for diaphragms.
- Provide 1/2" vertical x 5/16" slotted holes in top and bottom angles at Beam #10. The bolts shall only be finger-tightened prior to pouring the deck slab, and then fully tightened after Stage II deck slab pouring is complete. Each slotted hole shall have 5/16" structural plate washers placed over them.



DETAIL A-A



TYPICAL END OF BEAM DETAIL

DESIGNED	MJM
CHECKED	WHE
DRAWN	EAB
CHECKED	WHE

REVISIONS	
NAME	DATE

ILLINOIS DEPARTMENT OF TRANSPORTATION
BEAM ELEVATION AND DETAILS
US ROUTE 30 (LINCOLN HIGHWAY)
OVER LILY CACHE CREEK
WILL COUNTY

F.A.P. ROUTE 0575 SEC. 148R
STATION 28+22.14 NEW STRUCTURE NO. 099-4648
DATE 03/24/05

LONGO, INC.
CONSULTING ENGINEERS 630 NORTH WASHINGTON ST., SUITE 205
NAPERVILLE, ILLINOIS 60563 (630) 577-9100