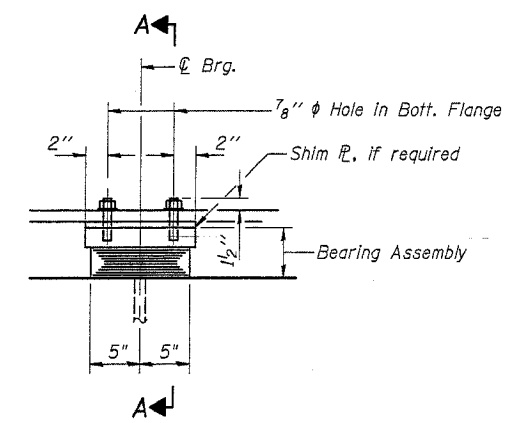
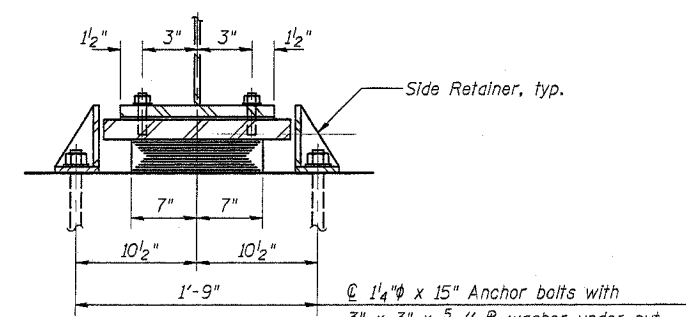


Contract No. 62098



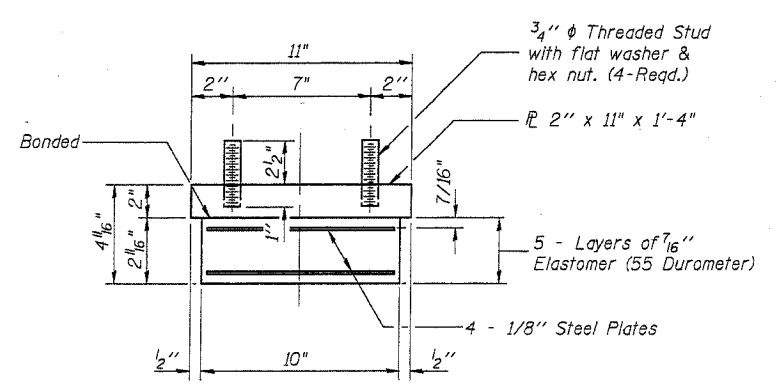
ELEVATION AT PIER



SECTION A-A

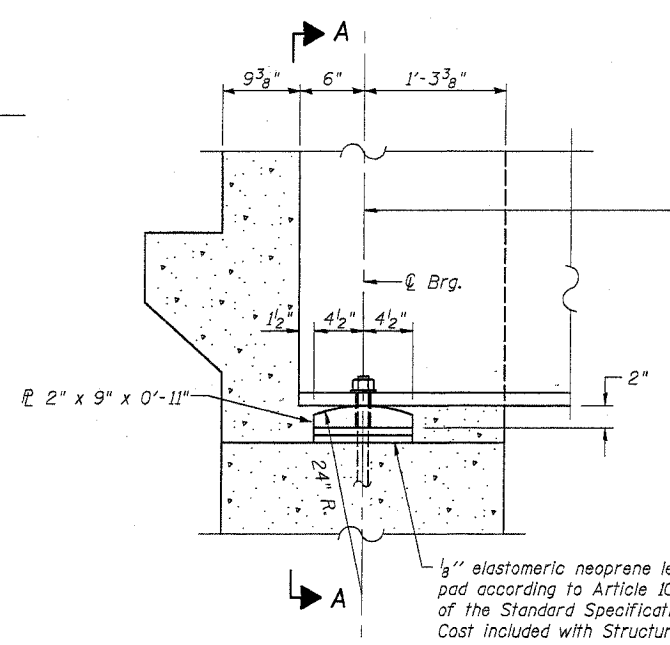
Ø 1 1/4" x 15" Anchor bolts with 3" x 3" x 5/16" R washer under nut

TYPE I ELASTOMERIC EXP. BRG.

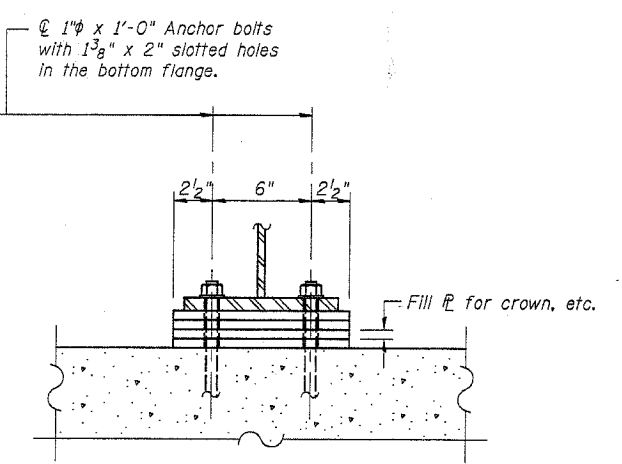


BEARING ASSEMBLY

Note: Shim plates shall not be placed under Bearing Assembly.



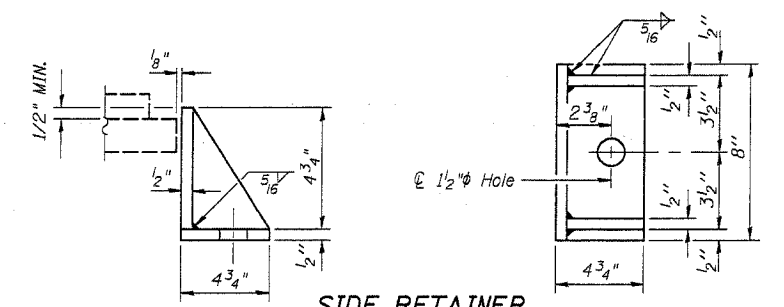
SECTION AT ABUTMENT
Perpendicular to girder



SECTION A-A

INTEGRAL ABUTMENT BEARING DETAIL

Bearing plates shall be M270 Grade 50 structural steel.



SIDE RETAINER

Equivalent rolled angle with stiffeners will be allowed in lieu of welded plates. Weight included with Structural Steel.

NOTES:

- Anchor bolts at fixed bearings may be built into the masonry.
- See sheet S-23 for Anchor Bolt installation.
- The steel plates for the abutment bearings and the side retainers and shim plates for the pier bearings are included in the calculated weight of M270 grade 50 structural steel, given in the General Notes on sheet S-2. The cost is included with Furnishing and Erecting Structural Steel.

BILL OF MATERIAL

Item	Unit	Quantity
Elastomeric Bearing Assembly Type I	Each	30

DESIGNED	MJM
CHECKED	WHE
DRAWN	EAB
CHECKED	WHE

LOWCO, INC.
CONSULTING ENGINEERS 630 NORTH WASHINGTON ST., SUITE 205
NAPERVILLE, ILLINOIS 60563 (630) 577-9100

REVISIONS	
NAME	DATE

ILLINOIS DEPARTMENT OF TRANSPORTATION
BEARING DETAILS
US ROUTE 30 (LINCOLN HIGHWAY)
OVER LILY CACHE CREEK
WILL COUNTY
F.A.P. ROUTE 0575 SEC. 148R
STATION 28+22.14 NEW STRUCTURE NO. 099-4648
DATE 03/24/05