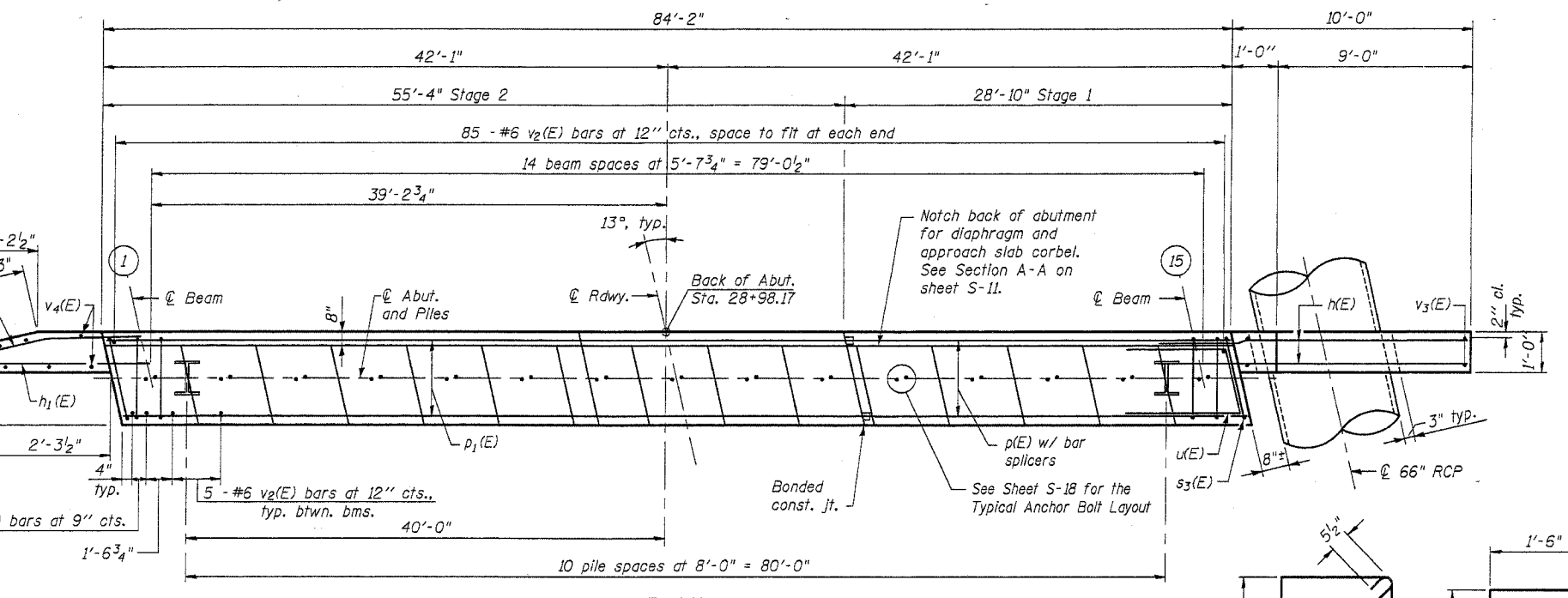


**PILE DATA**  
 Type: HP12x53 w/ metal shoes  
 Capacity: Driven to refusal  
 Est. Length: 16.0 ft.  
 No. Required: 11 Piles  
 (Including 1 test pile)



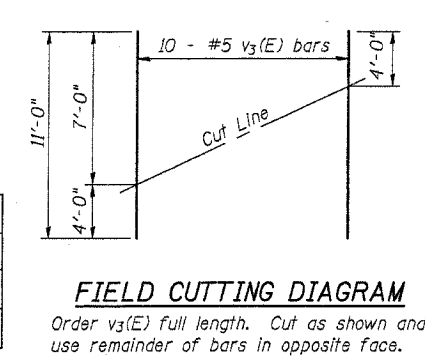
**BEARING SEAT ELEVATIONS**

Beam No.	East Abut.
1	597,430
2	597,545
3	597,661
4	597,776
5	597,892
6	598,007
7	598,122
8	598,238
9	598,133
10	598,029
11	597,924
12	597,819
13	597,715
14	597,610
15	597,505

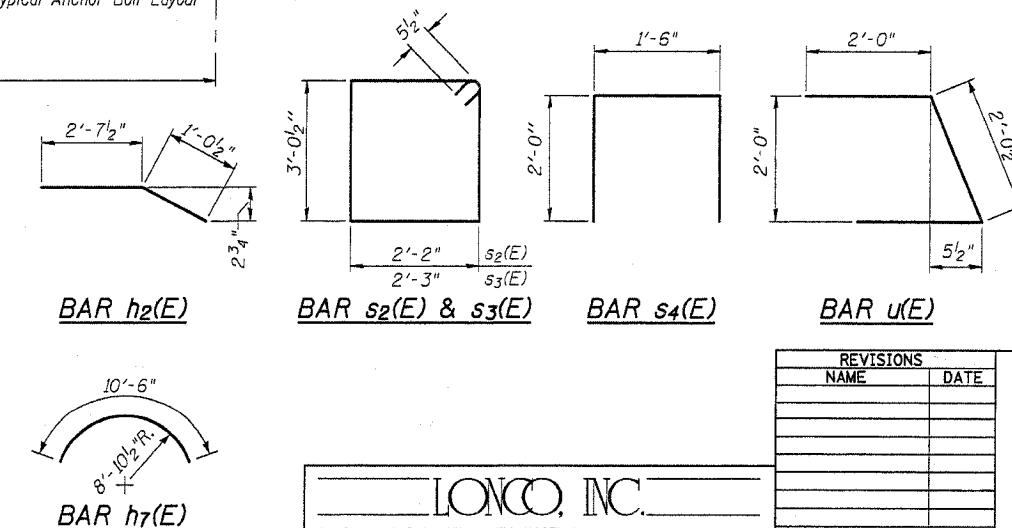
**BILL OF MATERIAL**

Bar	No.	Size	Length	Shape
h(E)	20	#5	11'-6"	
h1(E)	10	#5	3'-8"	
h2(E)	10	#5	3'-8"	
h7(E)	2	#5	10'-6"	
h3(E)	2	#5	6'-0"	
p(E)	8	#8	28'-6"	
p1(E)	8	#8	55'-0"	
p2(E)	3	#5	6'-2"	
p3(E)	3	#5	32'-8"	
s2(E)	84	#5	11'-4"	
s3(E)	2	#5	11'-6"	
s4(E)	43	#5	5'-6"	
u(E)	8	#6	6'-1"	
v2(E)	161	#5	5'-4"	
v3(E)	10	#5	11'-0"	
v4(E)	6	#5	7'-0"	
<b>Item Unit Quantity</b>				
Concrete Structures	Cu. Yd.		32.1	
Reinforcement Bars, Epoxy Coated	Pound		4647	
Structure Excavation	Cu. Yd.		35	
Bar Splicer	Each		11	
Furnishing Steel Piles HP12x53	Foot		160	
Driving Steel Piles	Foot		160	
Test Pile Steel HP12x53	Each		1	
Metal Shoes	Each		10	
Porous Granular Embankment	Cu. Yd.		110	

DESIGNED	MJM
CHECKED	WHE
DRAWN	EAB
CHECKED	WHE



- NOTES:**
- All edges shall have standard 3/4" chamfers except as noted.
  - Space reinforcement to miss anchor bolts.
  - Pour steps monolithically with cap.
  - Reinforcement bars designated (E) shall be epoxy coated.
  - For anchor bolt details, see sheet S-23.
  - For location of anchor bolts, see sheet S-17.



**LOWCO, INC.**  
 CONSULTING ENGINEERS 630 NORTH WASHINGTON ST., SUITE 205  
 NAPERVILLE, ILLINOIS 60563 (630) 577-9100

REVISIONS	
NAME	DATE

ILLINOIS DEPARTMENT OF TRANSPORTATION  
**EAST ABUTMENT PLAN AND ELEVATION**  
 US ROUTE 30 (LINCOLN HIGHWAY)  
 OVER LILY CACHE CREEK  
 WILL COUNTY  
 F.A.P. ROUTE 0575 SEC. 14BR  
 STATION 28+22.14 NEW STRUCTURE NO. 099-4648  
 DATE 03/24/05