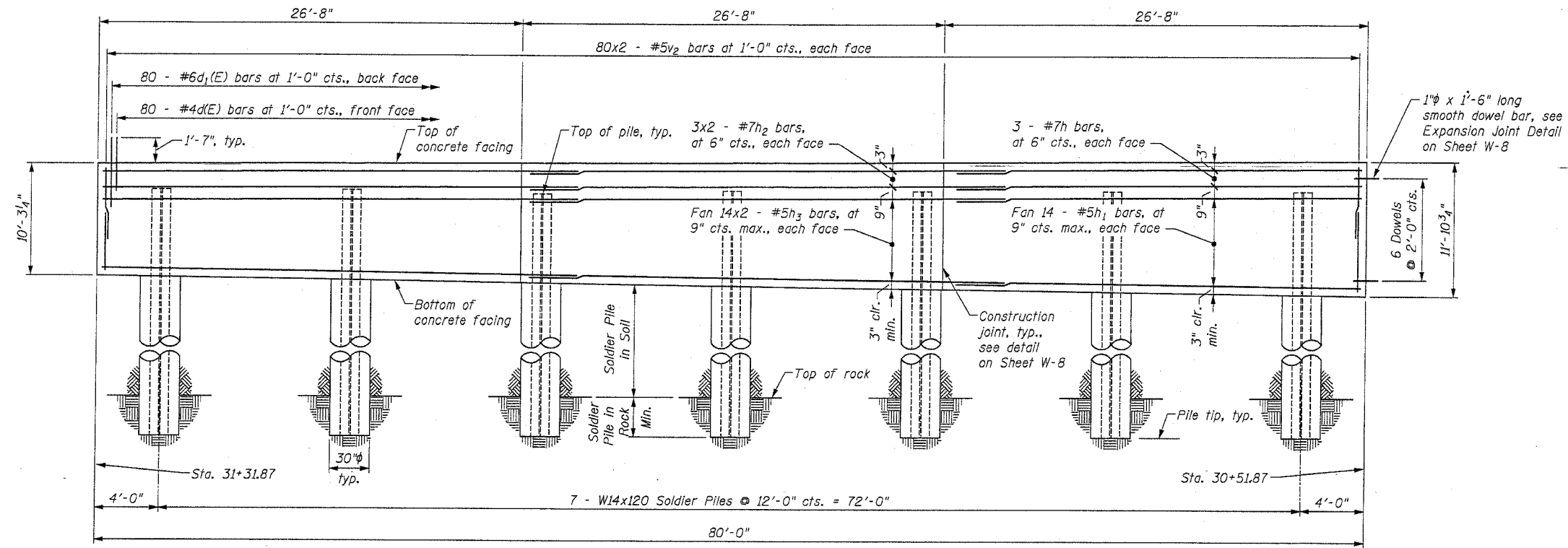


Contract No. 62098



ELEVATION - PANEL 3
Looking South

NOTES:

1. Reinforcement designated 3x2-#4, etc., indicates 3 lines of #4 bars with 2 bars per line.
2. Reinforcement bars designated (E) shall be epoxy coated.
3. Minimum bar laps: #5 = 1'-9", #7 = 2'-9"
4. For typical concrete facing sections and details, including joints, rustication, etc., see Sheet W-8.
5. For details of concrete parapet to be cast on top of concrete facing, see Sheet W-9.

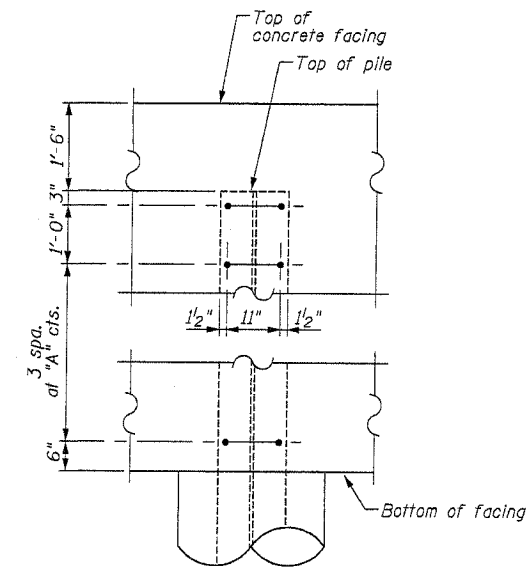
BILL OF MATERIAL

Bar	No.	Size	Length	Shape
d1(E)	80	#4	3'-0"	
d1(E)	80	#6	3'-9"	
h	6	#7	28'-5"	
h1	28	#5	27'-9"	
h2	12	#7	29'-6"	
h3	56	#5	28'-6"	
v2	320	#5	6'-8"	

Item	Unit	Quantity
Porous Granular Embankment	Cu. Yd.	162
Structure Excavation	Cu. Yd.	30
Concrete Structures	Cu. Yd.	33.6
Stud Shear Connectors	Each	70
Furnishing Soldier Piles (W Section)	Foot	191
Reinforcement Bars	Pound	7756
Reinforcement Bars, Epoxy Coated	Pound	611
Geocomposite Wall Drain	Sq. Yd.	90
Drilling and Setting Soldier Piles (In Soil)	Cu. Ft.	435
Drilling and Setting Soldier Piles (In Rock)	Cu. Ft.	172
Rustication Finish	Sq. Ft.	647

WALL INFORMATION - PANEL 3

Location	Station	Front Face of Facing Offset (ft.)	Top of Facing Elevation	Bottom of Facing Elevation	Facing Height	Top of Rock Elevation	Pile Embedment in Soil (ft.)	Minimum Pile Embedment in Rock (ft.)	Top of Pile Elevation	Bottom of Pile Elevation	Pile Length (ft.)	Pile Type	Shear Stud Connectors	
													Dim. "A" (ft.)	Total
Start Panel	3131.87	43.00 Lt	600.29	590.02	10.27									
Pile 15	3127.87	43.00 Lt	600.31	589.96	10.35	576.01	13.95	5.00	598.81	571.01	27.80	W14x120	2.37	10
Pile 16	3115.87	43.00 Lt	600.36	589.76	10.60	576.67	13.10	5.00	598.86	571.67	27.19	W14x120	2.45	10
Pile 17	3103.87	43.00 Lt	600.41	589.57	10.84	577.07	12.50	5.00	598.91	572.07	26.84	W14x120	2.53	10
Pile 18	3091.87	43.00 Lt	600.46	589.38	11.08	576.98	12.40	5.00	598.96	571.98	26.98	W14x120	2.61	10
Pile 19	3079.87	43.00 Lt	600.51	589.19	11.33	576.90	12.29	5.00	599.01	571.90	27.12	W14x120	2.69	10
Pile 20	3067.87	43.00 Lt	600.56	589.00	11.57	576.81	12.19	5.00	599.06	571.81	27.26	W14x120	2.77	10
Pile 21	3055.87	43.00 Lt	600.62	588.80	11.81	576.72	12.08	5.00	599.12	571.72	27.39	W14x120	2.85	10
End Panel	3051.87	43.00 Lt	600.63	588.74	11.89									



SHEAR STUD DETAIL

DESIGNED	MJM
CHECKED	WHE
DRAWN	EAB
CHECKED	WHE

REVISIONS	
NAME	DATE

LOWCO INC.
CONSULTING ENGINEERS 700 EAST DIEHL ROAD., SUITE 180
NAPERVILLE, ILLINOIS 60563 (630) 577-9100

ILLINOIS DEPARTMENT OF TRANSPORTATION
WALL ELEVATION (3 OF 5)
DRILLED SOLDIER PILE WALL
US ROUTE 30 (LINCOLN HIGHWAY)
OVER LILY CACHE CREEK
WILL COUNTY
F.A.P. ROUTE 0575 SEC. 148R
STATION 31+00.61 NEW STRUCTURE NO. 099-W012
DATE 03/24/05