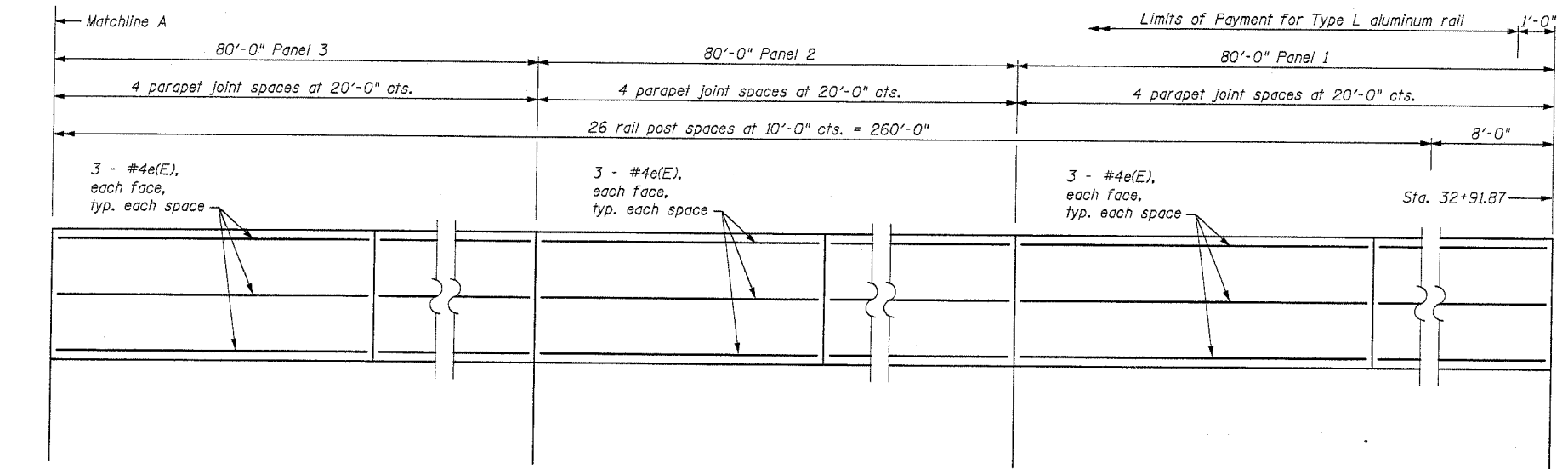
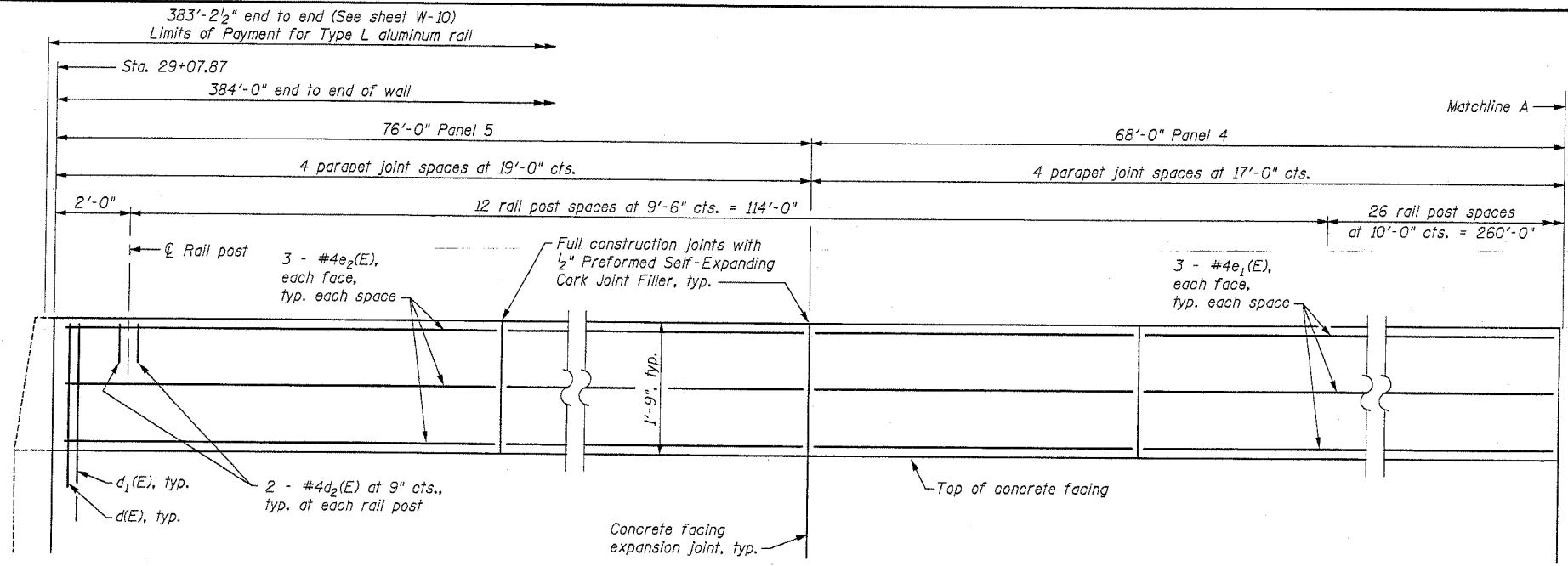


Contract No. 62098

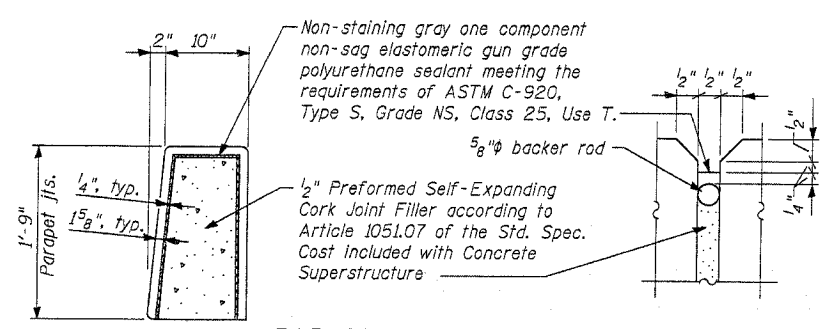


BILL OF MATERIAL

Bar	No.	Size	Length	Shape
d ₂ (E)	78	#4	2'-0"	□
e(E)	72	#4	19'-8"	—
e ₁ (E)	24	#4	16'-8"	—
e ₂ (E)	24	#4	18'-8"	—
Item	Unit	Quantity		
Concrete Structures	Cu. Yd.	22.8		
Reinforcement Bars, Epoxy Coated	Pound	1617		
Protective Coat	Sq. Yd.	132		

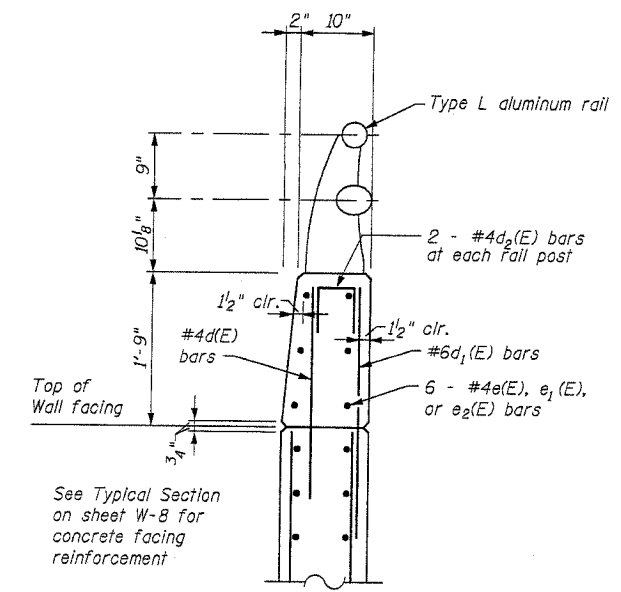
- NOTES:**
1. Reinforcement bars designated (E) shall be epoxy coated.
 2. Protective coat shall be applied to top and inside face of concrete parapet to a depth of 6 inches below top of concrete facing.
 3. See Wall Elevation sheets W-3 to W-7 for d(E) and d₁(E) bar details.

INSIDE ELEVATION OF PARAPET
Looking North

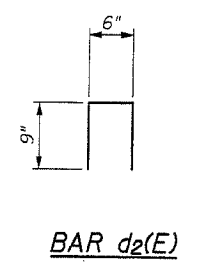


PARAPET JOINT DETAIL

Cost of construction joints and materials included with Concrete Superstructure.



PARAPET SECTION



BAR d₂(E)

See Typical Section on sheet W-8 for concrete facing reinforcement

DESIGNED	MJM
CHECKED	WHE
DRAWN	EAB
CHECKED	WHE

LOWCO, INC.
CONSULTING ENGINEERS 700 EAST DIEHL ROAD., SUITE 180
NAPERVILLE, ILLINOIS 60563 (630) 577-9100

REVISIONS	
NAME	DATE

ILLINOIS DEPARTMENT OF TRANSPORTATION
PARAPET ELEVATION AND DETAILS
DRILLED SOLDIER PILE WALL
US ROUTE 30 (LINCOLN HIGHWAY)
OVER LILY CACHE CREEK
WILL COUNTY
F.A.P. ROUTE 0575 SEC. 14BR
STATION 31+00.61 NEW STRUCTURE NO. 099-W012
DATE 03/24/05