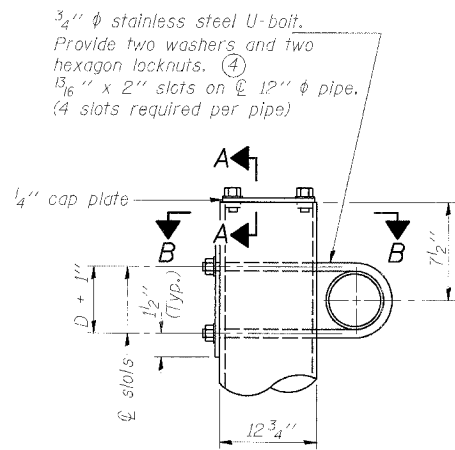


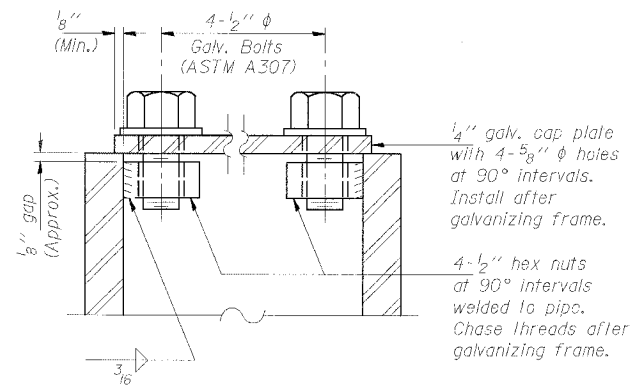
STATE OF ILLINOIS
DEPARTMENT OF TRANSPORTATION

ROUTE NO.	SECTION	COUNTY	POST MILE	SHEET NO.	SHEET NO.
90/94	*	COOK	556	312	
FED. ROAD EST. NO. 7		FED. AID PROJECT			

(1818, ETC, 2324.6-1P) R-8
62300

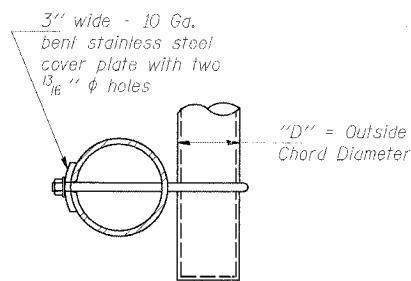


DETAIL A

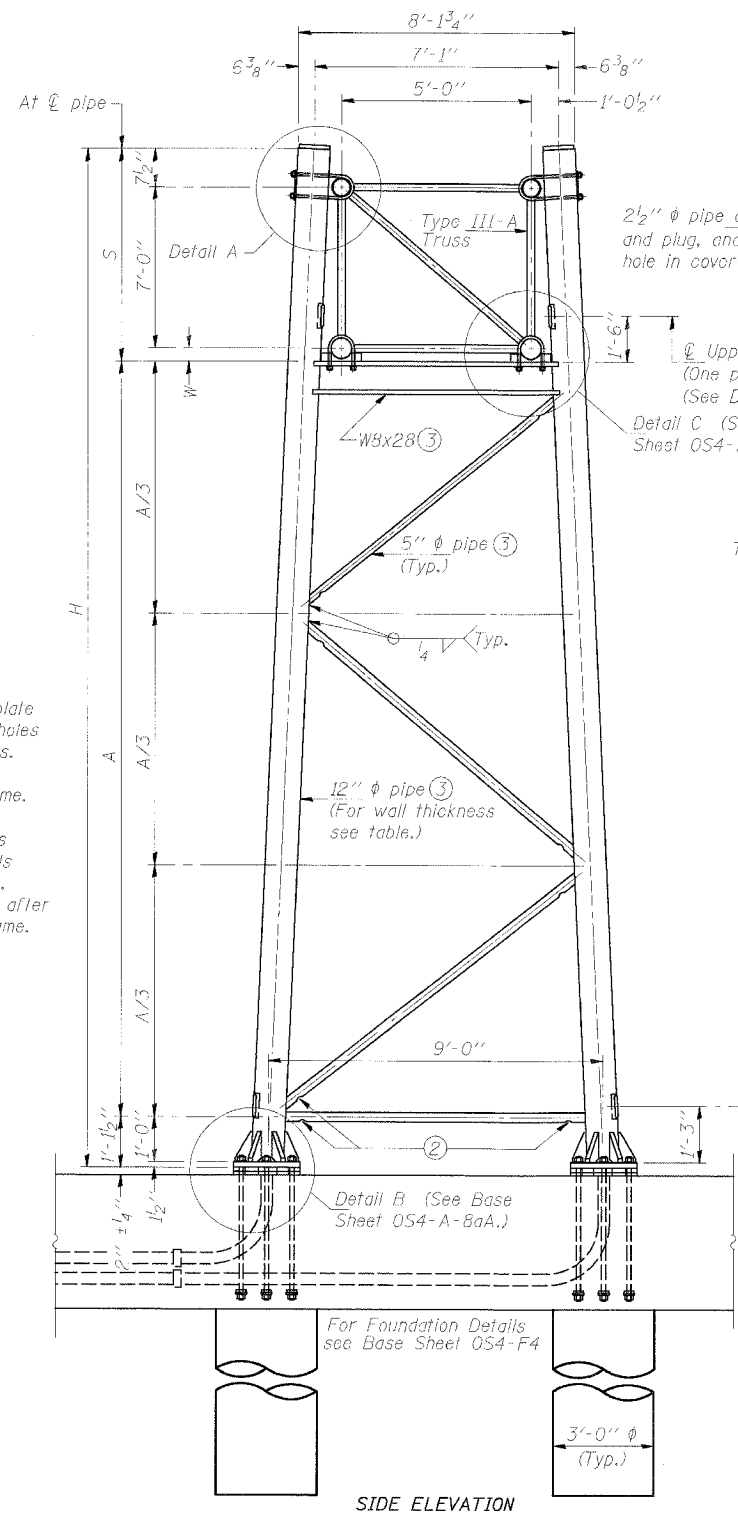


SECTION A-A

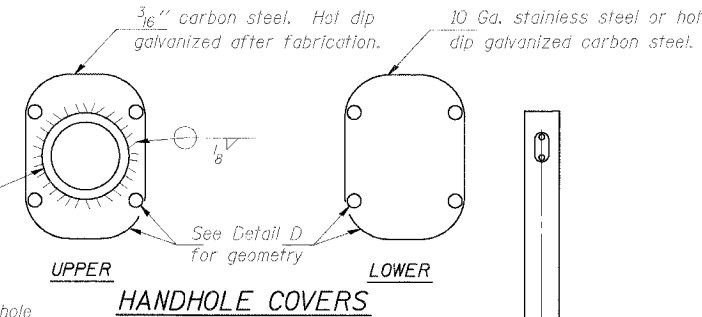
As an alternate to bolts, may use galvanized drive-fit caps installed after galvanizing frame.



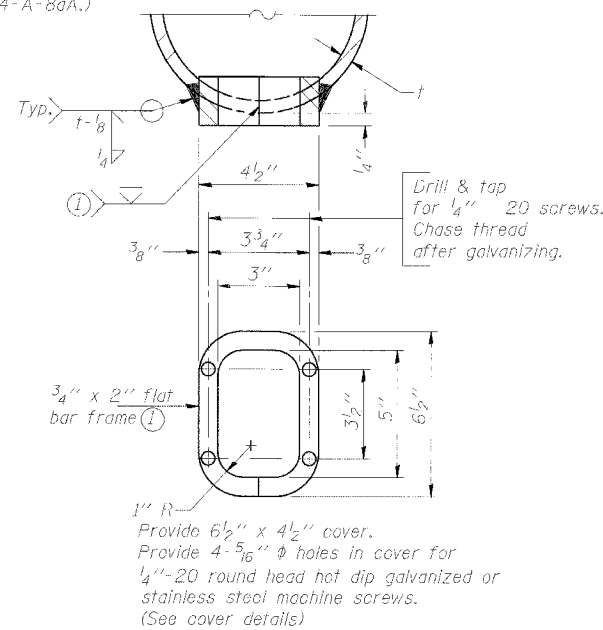
SECTION B-B



SIDE ELEVATION



HANDHOLE COVERS



DETAIL D

Truss Chord Nominal Dia.	Dimensions	
	W	S
7"	4 3/4"	8'-0 1/4"
8 1/2"	5 1/2"	8'-1"
9"	5 3/4"	8'-1 1/4"

TRUSS SUPPORT DETAILS
(12" ϕ Pipe-Type III-A Truss)

* COORDINATE WITH CONTRACT 62583 FOR LOCATION, TYPE, AND ORIENTATION OF CONDUIT.

Support Design Loads: See Base Sheet OS-A-1 for design and loading criteria.
Load combinations checked include deadload plus:
a) 100% wind normal to sign, 20% parallel to sign
b) 60% wind normal to sign, 30% parallel to sign

- In lieu of fabricated handhole frame as shown, may cut from 2" plate (rolling direction vertical). All cut faces to be ground to ANSI Roughness of 500 \sqrt{in} or less.
- Galvanizing vent holes of adequate size shall be provided on underside at each end of bracing pipes. Alternately, holes may be provided in wall of pipe column. All vent holes shall be drilled and de-burred. (Typ.)
- Steel pipe, plate, carbon steel handhole covers and rolled sections shall be hot dip galvanized after fabrication. Painting is not permitted. See Base Sheet OS-A-1.
- See General Notes for fasteners.
- Dimensions shown are based on selection criteria in the Sign Structures Manual. Nonstandard applications must have dimensions verified or amended as appropriate.

Structure Number	Station	Support		Pipe Wall Thickness	H	A
		Left	Right			
ISO161094L058.0	2461+51.44	X		.33	23.45'	14.30'
ISO161094L058.0	2461+51.44		X	.33	24.28'	15.13'

DESIGNED - XXX	20
CHECKED - XXX	EXAMINED
DRAWN	PASSED
CHECKED	ENGINEER OF STRUCTURAL SERVICES
	ENGINEER OF BRIDGES AND STRUCTURES

NUMBER	REVISION	DATE

OS4-A-8a 11/1/2002

OVERHEAD SIGN STRUCTURES
SUPPORT FRAME for TYPE III-A ALUMINUM TRUSS

F.A.I. 94/90 (DAN RYAN EXPRESSWAY)
31st STREET TO 71st STREET
(NB Express Lanes)

8/24/2005 2:13:24 PM F:\P\10468\Struct\28K_Dwg\01TR_62300\01_Sign\01-01.dwg