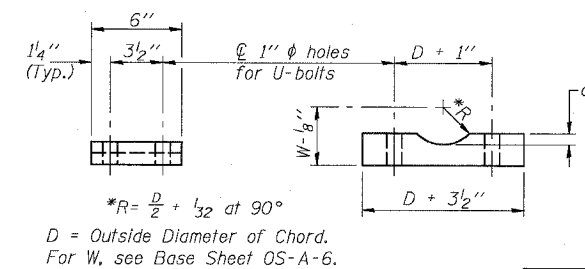
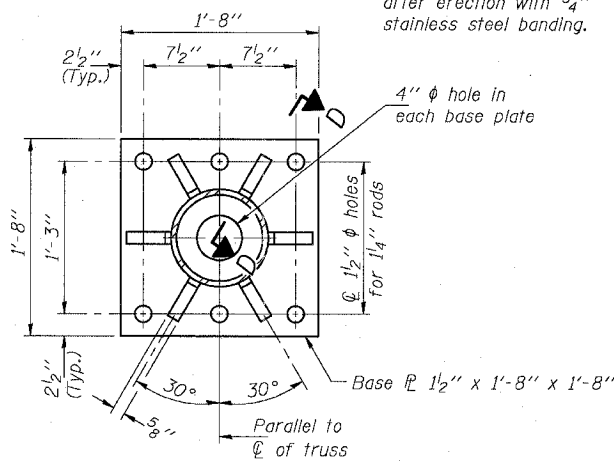
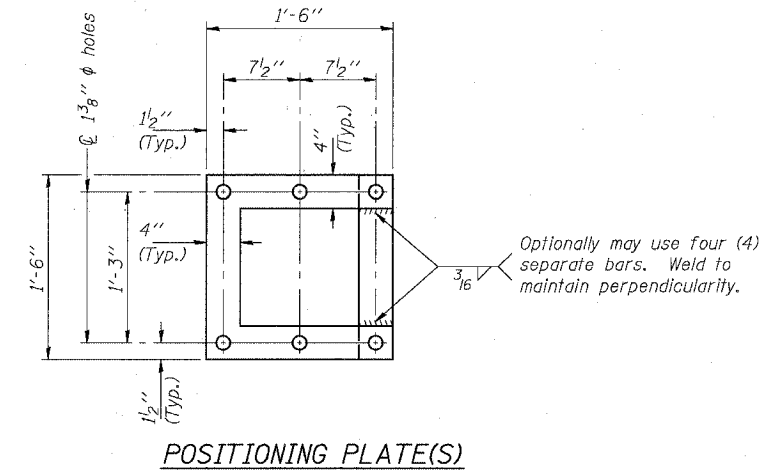
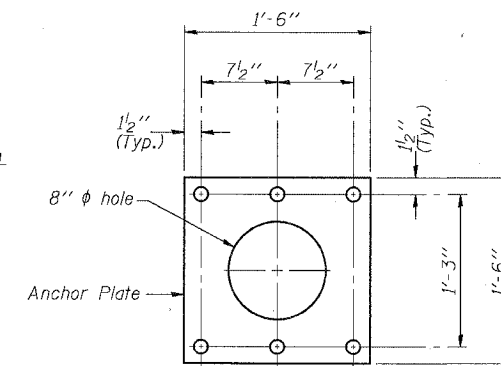
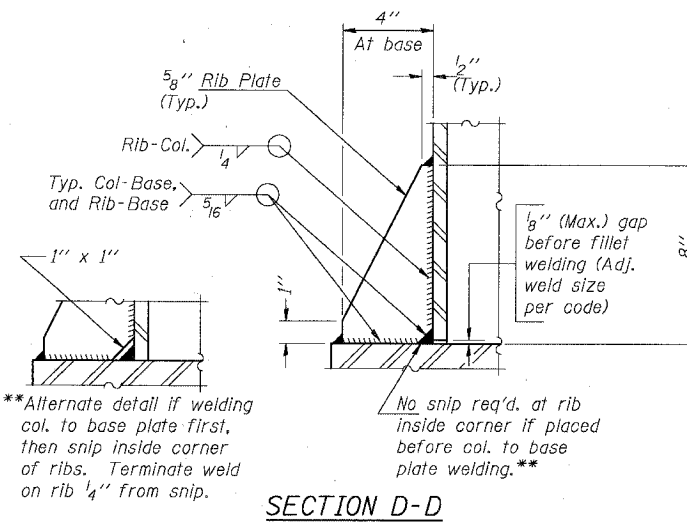
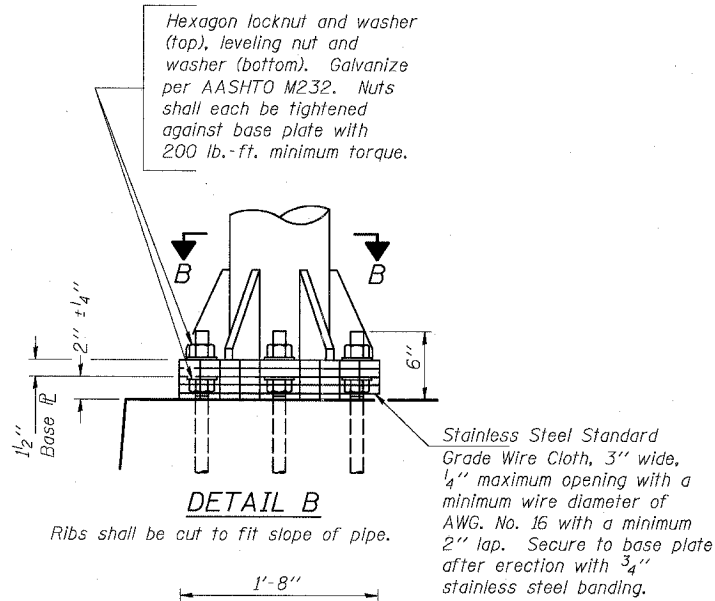


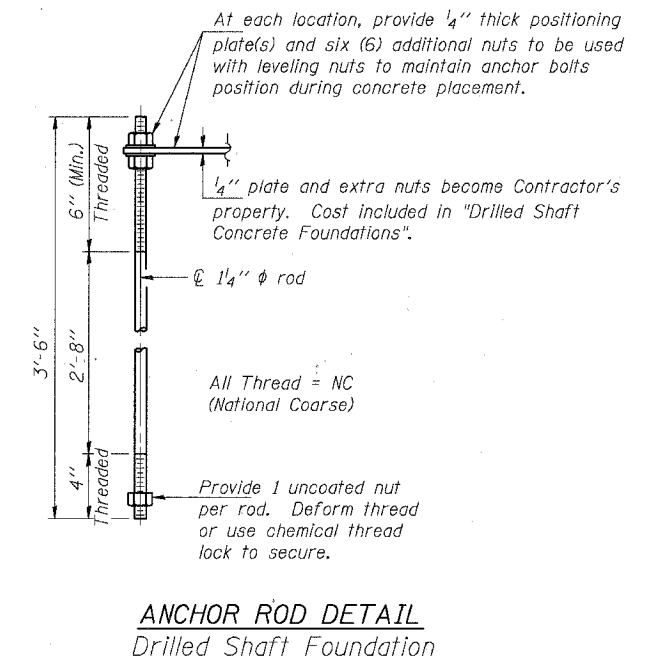
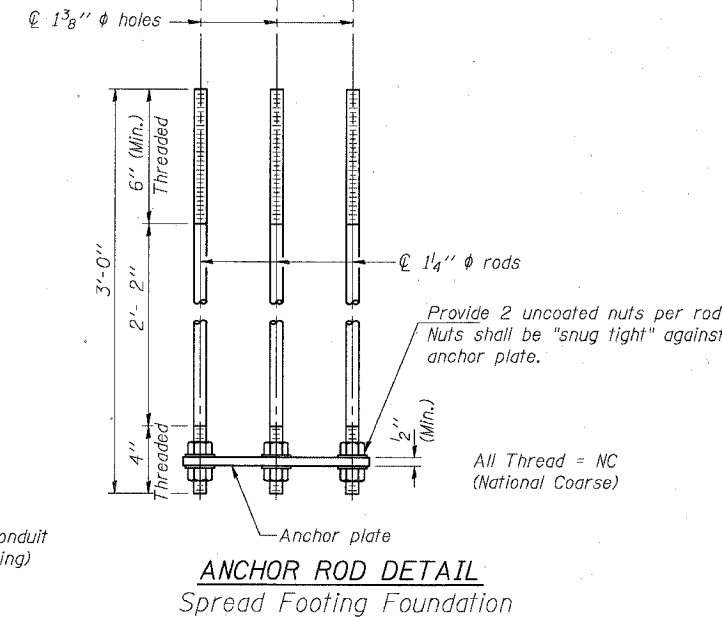
STATE OF ILLINOIS  
DEPARTMENT OF TRANSPORTATION

ROUTE NO.	SECTION	COUNTY	SHEET	SHEET
94/90	*	COOK	598	314
FED. ROAD DIST. NO. 1	ILLINOIS	FED. AID PROJECT-		
62302 *1B18, ETC, 2324.6-1PR-9				

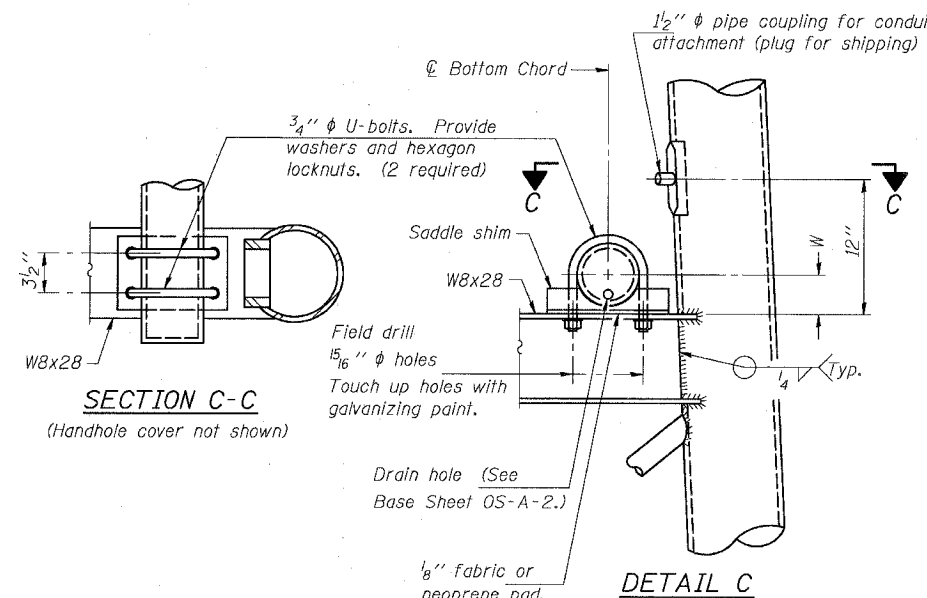


**SADDLE SHIM DETAIL**  
ASTM B26 Alloy 356-F  
or  
ASTM B209 Alloy 6061-T651  
(4 required per sign truss)

Truss Chord Nominal Dia.	a
5"	3/4"
5 1/2"	13/16"
6"	7/8"
6 1/2"	15/16"
7"	1"



NUMBER	REVISION	DATE



**10" PIPE SUPPORT FRAME DETAILS**

Anchor rods shall conform to AASHTO M314 Grade 36 or 50 and meet Charpy V-Notch (CVN) energy of 15 lb.-ft. at 40° F. Galvanize upper 12" per AASHTO M232. No welding shall be permitted on rods.

DESIGNED MSA  
CHECKED AS  
DRAWN MD  
CHECKED MSA

EXAMINED  
PASSED  
ENGINEER OF STRUCTURAL SERVICES  
ENGINEER OF BRIDGES AND STRUCTURES

20

OVERHEAD SIGN STRUCTURES  
SUPPORT FRAME DETAILS ALUMINUM TRUSS  
ILLINOIS DEPARTMENT OF TRANSPORTATION  
F.A.I. 94/90 (DAN RYAN EXPRESSWAY)  
31ST STREET TO 71ST STREET  
SB EXPRESS LANE RECONSTRUCTION  
OVERHEAD SIGN STRUCTURES