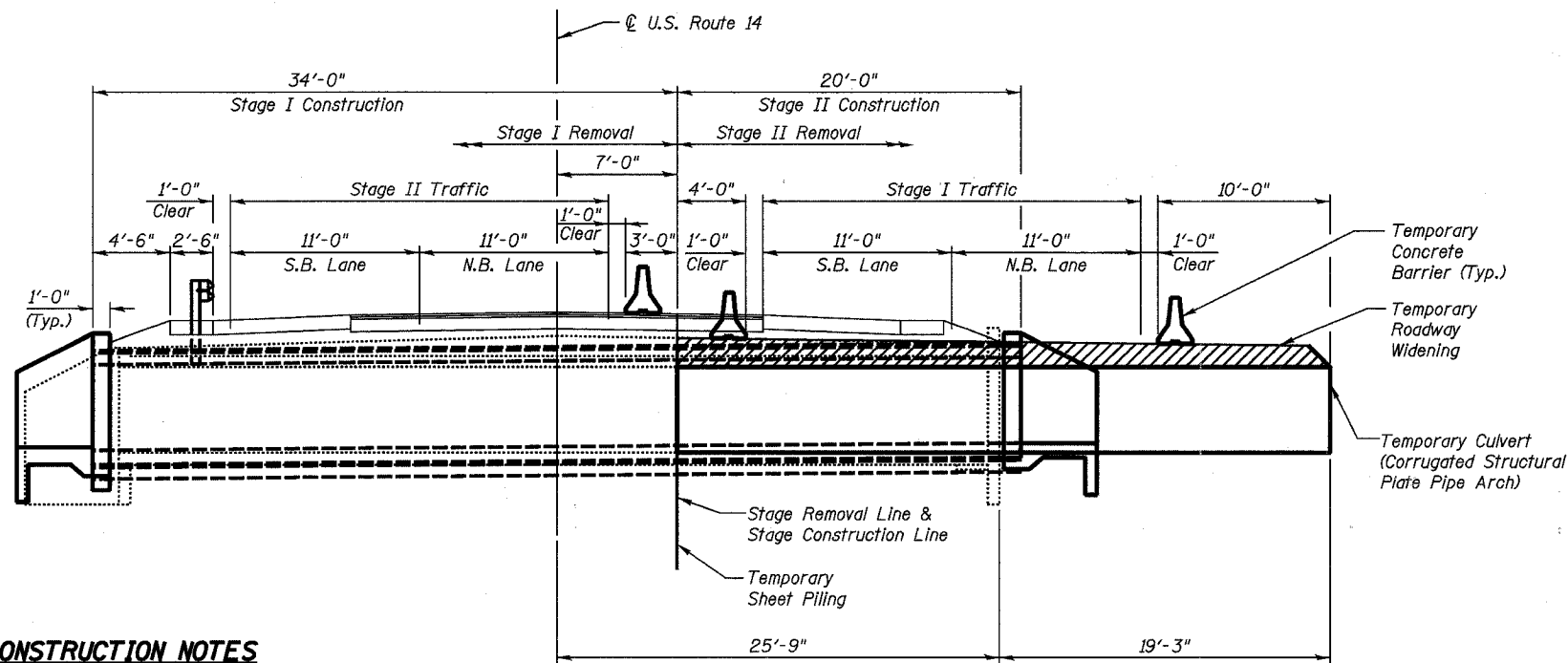


STATE OF ILLINOIS  
DEPARTMENT OF TRANSPORTATION

|                       |          |          |                   |           |
|-----------------------|----------|----------|-------------------|-----------|
| ROUTE NO.             | SECTION  | COUNTY   | TOTAL SHEETS      | SHEET NO. |
| F.A.P. 066            | 21(B&G)R | McHENRY  | 66                | 34        |
| FED. ROAD DIST. NO. 7 |          | ILLINOIS | FED. AID PROJECT- |           |

SHEET NO. 2  
8 SHEETS  
#62391



TOTAL BILL OF MATERIAL

| ITEM  | UNIT            | TOTAL         |
|---|-----------------|---------------|
| Rock Excavation                                       | C.Y.            | 50            |
| Removal & Disposal of Unsuitable Material             | C.Y.            | 100           |
| Channel Excavation                                    | C.Y.            | 465           |
| Porous Granular Embankment                            | C.Y.            | 190           |
| <del> Gabions</del>                                   | <del>C.Y.</del> | <del>50</del> |
| Removal of Existing Structures, No. 1                 | Each            | 1             |
| Structure Excavation                                  | C.Y.            | 80            |
| Temporary Sheet Piling                                | S.F.            | 880           |
| Name Plates   | Each            | 1             |
| Box Culvert End Sections                              | Each            | 2             |
| Precast Concrete Box Culvert 8' x 6'                  | L.F.            | 54            |
| Precast Concrete Box Culvert 12' x 5'                 | L.F.            | 108           |
| Corrugated Structural Plate Pipe Arches<br>51 Sq. Ft. | L.F.            | 38            |
| <del>Filter Fabric</del>                              | <del>C.Y.</del> | <del>74</del> |

STAGE CONSTRUCTION NOTES

Pre-Stage I Construction

1. Install temporary culvert at the existing northeast culvert barrel.
2. Place temporary pavement on the east side of roadway outside the existing pavement and over the temporary culvert.

Stage I Construction

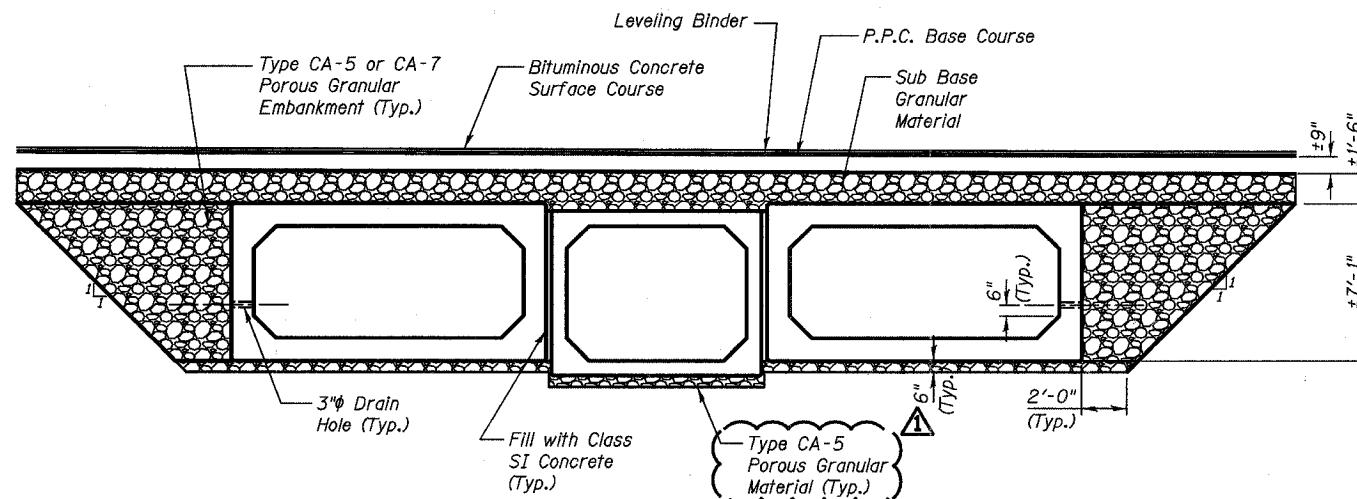
1. Establish Stage I Maintenance of Traffic.
2. Re-route traffic over temporary pavement.
3. Remove western portion of existing culvert.
4. Construct western portion of box culvert.

Stage II Construction

1. Establish Stage II Maintenance of Traffic.
2. Re-route traffic over Stage II Maintenance of Traffic limits.
3. Remove eastern portion of existing culvert, temporary culvert, and temporary pavement.
4. Construct eastern portion of box culvert.
5. Remove Stage II Maintenance of Traffic.

STAGE CONSTRUCTION DETAILS

(Looking North)



BACKFILL DETAILS

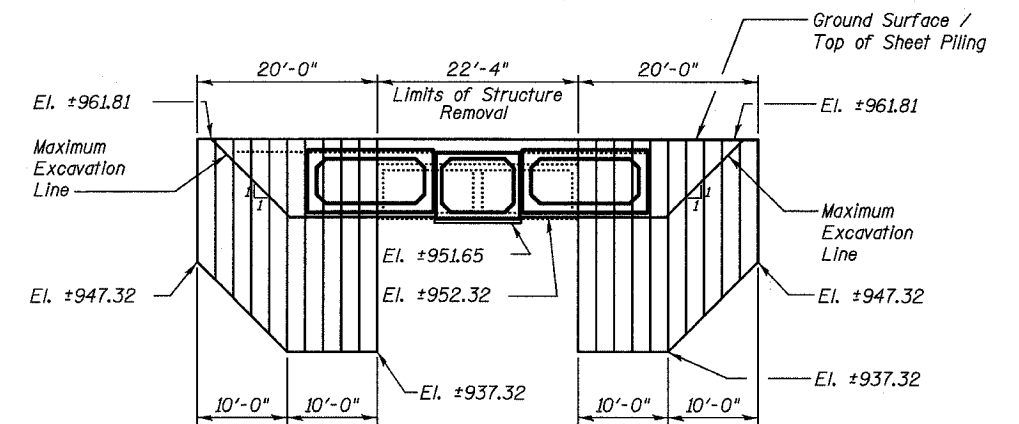
BACKFILL NOTES

1. Place type CA-5 porous granular material underneath the box culverts to the limits shown on the plans or as directed by the Engineer. Porous granular material shall be included in the cost for Precast Concrete Box Culverts. See Section 540 of the Standard Specifications.

2. Place type CA-5 or CA-7 porous granular embankment above the type CA-5 porous granular material to the bottom of the sub base granular material, as shown on the plans or as directed by the Engineer. To be paid for as Porous Granular Embankment.

NOTE:

Box culvert foundations bearing upon suitable natural soils shall be designed for a maximum net allowable soil bearing capacity of 2000 pounds per square foot.



TEMPORARY SHEET PILING DETAILS

TEMPORARY SHEET PILING NOTES

1. Minimum Section Modulus of the Temporary Sheet Piling shall be 14.0 In<sup>3</sup>/ft.
2. If the Contractor chooses to alter the temporary cantilevered sheet piling design requirements shown on the plans, a design submittal including plan details and calculations will be required for review and acceptance by the Engineer.
3. Hard driving may be encountered during the sheet piling installation. The Contractor shall provide the appropriate driving equipment for the soil conditions indicated on the boring logs.

|          |             |
|----------|-------------|
| DESIGNED | RFS         |
| CHECKED  | LLP         |
| DRAWN    | JPG         |
| CHECKED  | RFS         |
| REVISED  | 3-31-05 KWN |

|          |                                    |
|----------|------------------------------------|
| EXAMINED | 20                                 |
| PASSED   | ENGINEER OF BRIDGE DESIGN          |
|          | ENGINEER OF BRIDGES AND STRUCTURES |

CONSTRUCTION DETAILS  
AND BILL OF MATERIALS  
U.S. ROUTE 14  
(NORTHWEST HIGHWAY)  
OVER LAWRENCE CREEK  
FAP 066 SECTION 21(B&G)R  
McHENRY COUNTY  
STATION 110+00.00  
STRUCTURE NO. 056-0074

4-14-05

Rev.