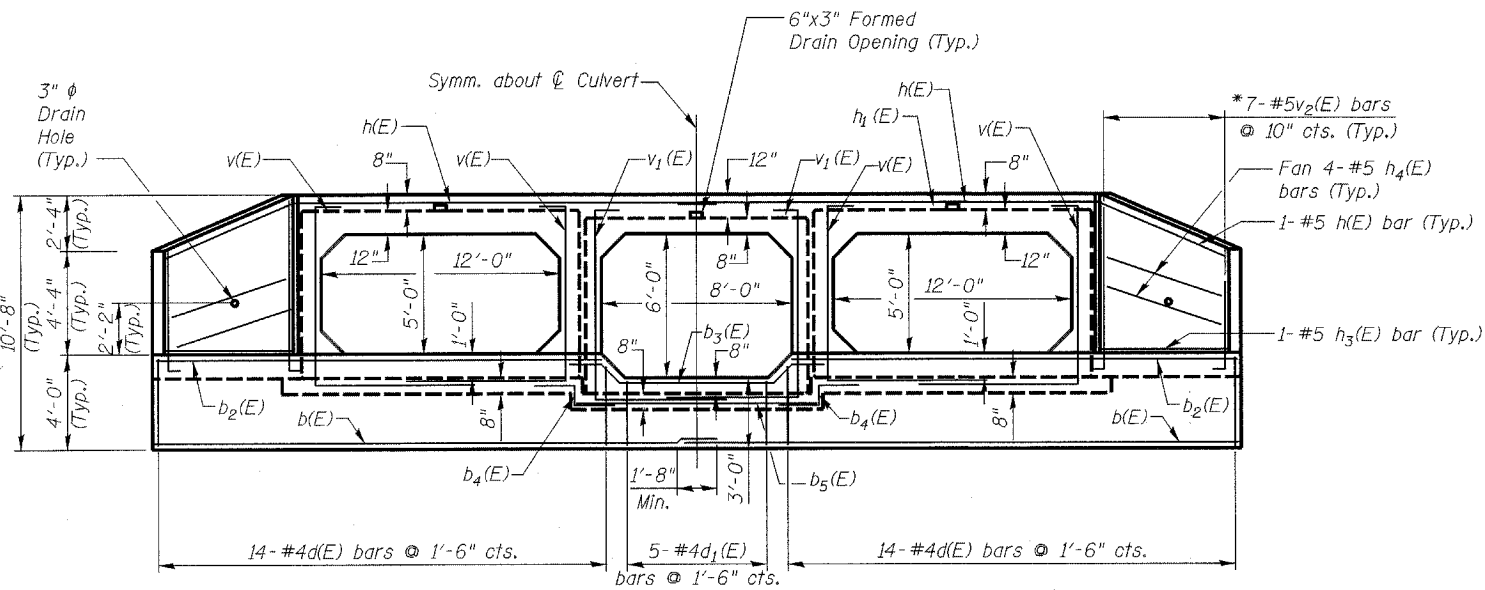


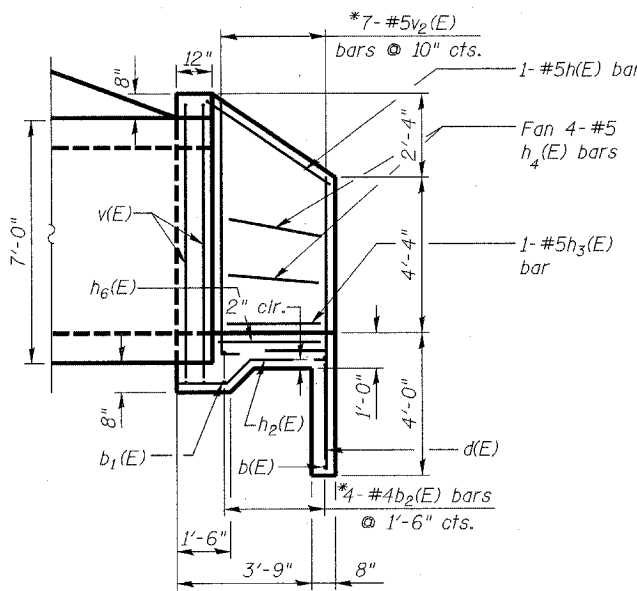
STATE OF ILLINOIS  
DEPARTMENT OF TRANSPORTATION

ROUTE NO.	SECTION	COUNTY	TOTAL SHEETS	SHEET NO.	SHEET NO. 3 8 SHEETS
F.A.P. 066	21(B&G)R	McHENRY	66	35	
FED. ROAD DIST. NO. 7	ILLINOIS	FED. AID PROJECT			

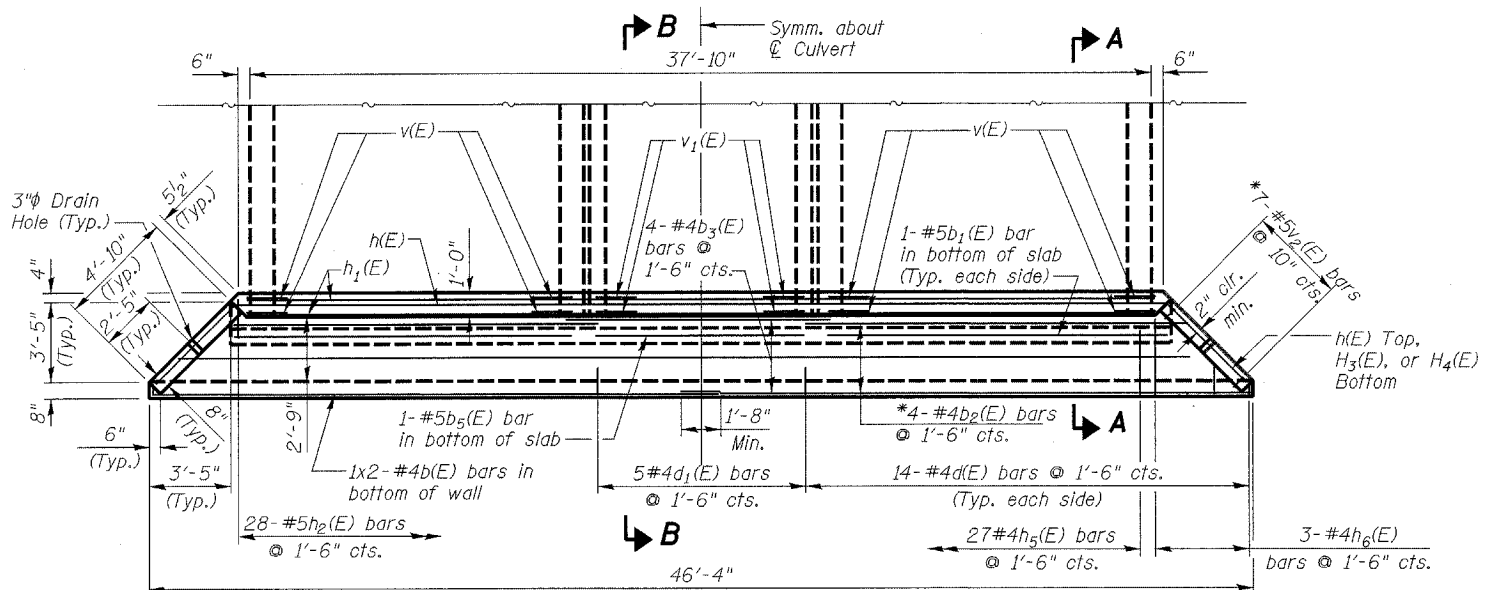
#62391



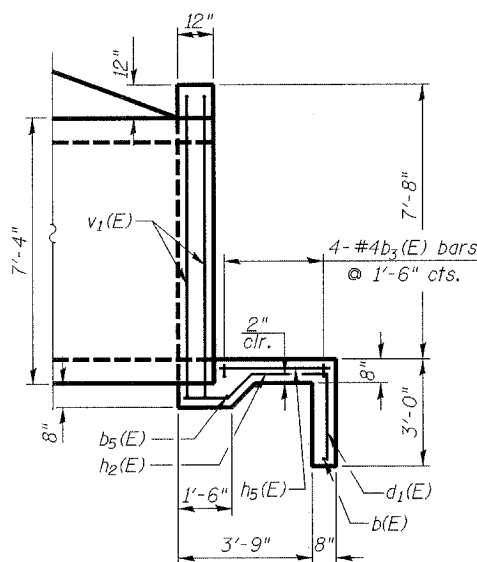
END ELEVATION



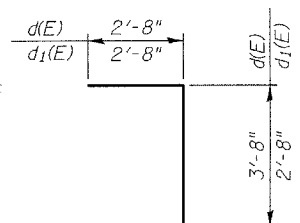
SECTION A-A



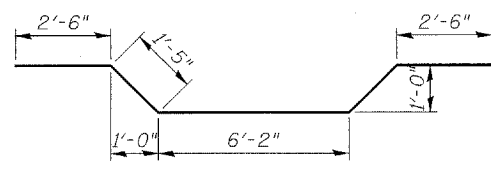
PLAN



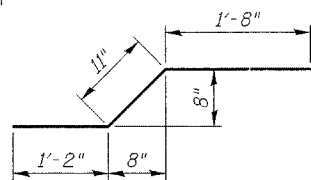
SECTION B-B



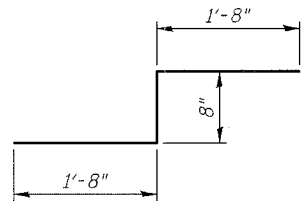
BARS d(E) & d1(E)



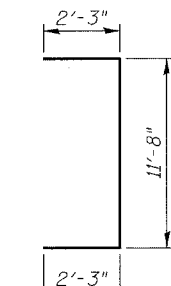
BAR b3(E)



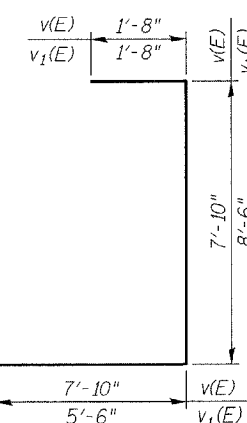
BAR h2(E)



BAR b4(E)



BAR v2(E)



BARS v(E) & v1(E)

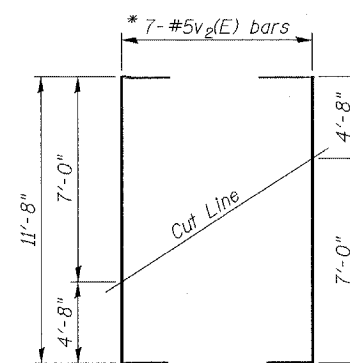
\*\*\*BILL OF MATERIAL

Bar	No.	Size	Length	Shape
b(E)	4	#4	23'-10"	—
b1(E)	4	#5	14'-6"	—
b2(E)	8	#4	32'-0"	—
b3(E)	8	#4	14'-0"	—
b4(E)	4	#5	4'-0"	—
b5(E)	2	#5	9'-4"	—
d(E)	56	#4	6'-4"	└
d1(E)	10	#4	5'-4"	└
h(E)	4	#5	25'-4"	└
h1(E)	4	#5	37'-10"	└
h2(E)	56	#5	3'-9"	└
h3(E)	4	#5	4'-6"	└
h4(E)	16	#5	5'-5"	└
h5(E)	54	#4	3'-1"	└
h6(E)	6	#4	3'-4"	└
v(E)	16	#5	17'-4"	└
v1(E)	8	#5	15'-8"	└
v2(E)	14	#5	16'-2"	└
Reinforcement Bars (Epoxy Coated)			Lbs.	2060
Concrete Structures			Cu. Yds.	40

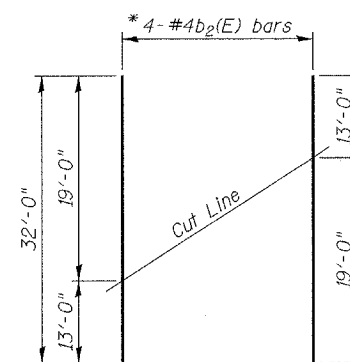
\*\* For Information Only. The items in this table are not paid for separately, but are included in the cost of "Box Culvert End Sections."

The above table includes quantities for two box culvert end sections.

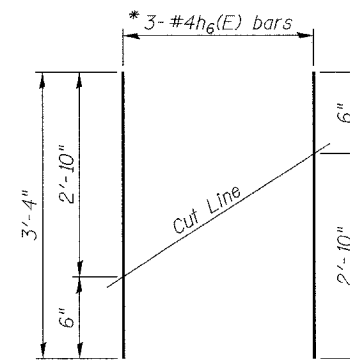
Reinforcement bars designated (E) shall be epoxy coated.



FIELD CUTTING DIAGRAM



FIELD CUTTING DIAGRAM



FIELD CUTTING DIAGRAM

\* Order v2(E), b2(E), and h6(E) bars full length. Cut to fit as shown and use remainder or bars in other side of apron.

BOX CULVERT END SECTION DETAILS  
U.S. ROUTE 14  
(NORTHWEST HIGHWAY)  
OVER LAWRENCE CREEK  
FAP 066 SECTION 21(B&G)R  
McHENRY COUNTY  
STATION 110+00.00  
STRUCTURE NO. 056-0074

DESIGNED	RFS
CHECKED	LLP
DRAWN	JPG
CHECKED	RFS

EXAMINED	20
PASSED	ENGINEER OF BRIDGE DESIGN
	ENGINEER OF BRIDGES AND STRUCTURES