

F.A.I. RTE.	SECTION	COUNTY	TOTAL SHEETS	SHEET NO.
94	2005-0111	COOK	40	5
STA.		TO STA.		
FED. ROAD DIST. NO.		ILLINOIS	FED. AID PROJECT	

CONTRACT NO. 62929

**LEGEND**

- ① EXISTING CONTINUOUSLY REINF. PCC PAVEMENT (10")
- ② EXISTING BITUMINOUS BASE COURSE, 13" (NORTHBOUND)
- ③ EXISTING BITUMINOUS SHOULDER, 13" (SOUTHBOUND)
- ④ EXISTING GRANULAR MATERIAL TYPE A, 6"
- ⑤ EXISTING AGGREGATE SHOULDER, TYPE B
- ⑥ EXISTING BITUMINOUS SHOULDER (10")
- ⑦ EXISTING STABILIZED SUB-BASE, 4"
- ⑧ EXISTING SUB BASE GRANULAR MATERIAL, SPECIAL
- ⑨ EXISTING PIPE UNDERDRAIN, 4"
- ⑩ EXISTING BACKFILL FOR PIPE UNDERDRAIN
- ⑪ EXIST. COMB. CONC. CURB & GUTTER
- ⑫ EXISTING CONSTRUCTION JOINT
- ⑬ EXISTING 4" DIA. PVC DUCT
- ⑭ EXISTING CONCRETE BARRIER WALL, TYPE 1
- ⑮ EXISTING CONCRETE BARRIER WALL, TYPE 2
- ⑯ EXISTING CONCRETE BARRIER WALL, TYPE 3
- ⑰ EXISTING CONCRETE BARRIER WALL, TYPE 4
- ⑱ EXISTING CONSTRUCTION JOINT & KEY WAY, 2" x 6"
- ⑲ PROPOSED ASPHALTIC EMULSION SLURRY SEAL COAT, TYPE IV

**NOTE:**

**EXISTING CONDITION**

• WHEN THE SUPERELEVATION RATE OF THE EXISTING PAVEMENT IS BETWEEN 0.00 FT/FT AND 0.03 FT/FT THE SHOULDER SHALL BE SLOPED AT 0.04 FT/FT. WHEN THE SUPERELEVATION RATE OF THE PAVEMENT EXCEEDS 0.03 FT/FT, THE SHOULDER SHALL BE SLOPED SO THAT THE ALGEBRAIC DIFFERENCE BETWEEN PAVEMENT AND SHOULDER WILL NOT BE GREATER THAN 0.07 FT/FT.

\*\* EXISTING BITUMINOUS SHOULDER SLOPE SHALL BE THE SAME AS THE SUPERELEVATION RATE BUT NOT LESS THAN 1/2"/FT.

**EXISTING CONCRETE BARRIER WALL LOCATIONS**

TYPE 2 = STA 84+16.25 TO STA 82+10.75  
 TYPE 3 = STA 82+10.75 TO STA 80+31.75  
 TYPE 2 = STA 80+31.75 TO STA 73+97.45  
 TYPE 3 = STA 73+97.45 TO STA 67+87.25  
 TYPE 2 = STA 67+87.25 TO STA 65+31.75  
 TYPE 3 = STA 65+31.75 TO STA 57+28.75  
 TYPE 2 = STA 57+28.75 TO STA 55+56  
 TYPE 3 = STA 55+56 TO STA 46+85  
 TYPE 2 = STA 46+85 TO STA 44+95.15  
 TYPE 1 = STA 44+95.15 TO STA 30+00  
 TYPE 1 = STA 27+68 TO STA 25+91  
 TYPE 1 = STA 22+35 TO STA 20+50  
 TYPE 3 = STA 20+50 TO STA 19+56  
 TYPE 3 STA 19+02 TO STA 17+50  
 TYPE 1 = STA 17+50 TO STA 00+50.75  
 TYPE 2 = STA 00+50.75 TO STA 02+82.75  
 TYPE 1 = STA 02+82.75 TO STA 15+00

**NOTE:**

TYPICAL SECTION - SUPERELEVATED PAVEMENT  
 (NORTHBOUND PROFILE GRADE ELEVATION = SOUTHBOUND PROFILE GRADE ELEVATION)

TYPICAL SECTION - SUPERELEVATED PAVEMENT  
 (NORTHBOUND PROFILE GRADE ELEVATION ≠ SOUTHBOUND PROFILE GRADE ELEVATION)

TYPICAL SECTION - NORMAL CROWN PAVEMENT  
 (NORTHBOUND PROFILE GRADE ELEVATION ≠ SOUTHBOUND PROFILE GRADE ELEVATION)

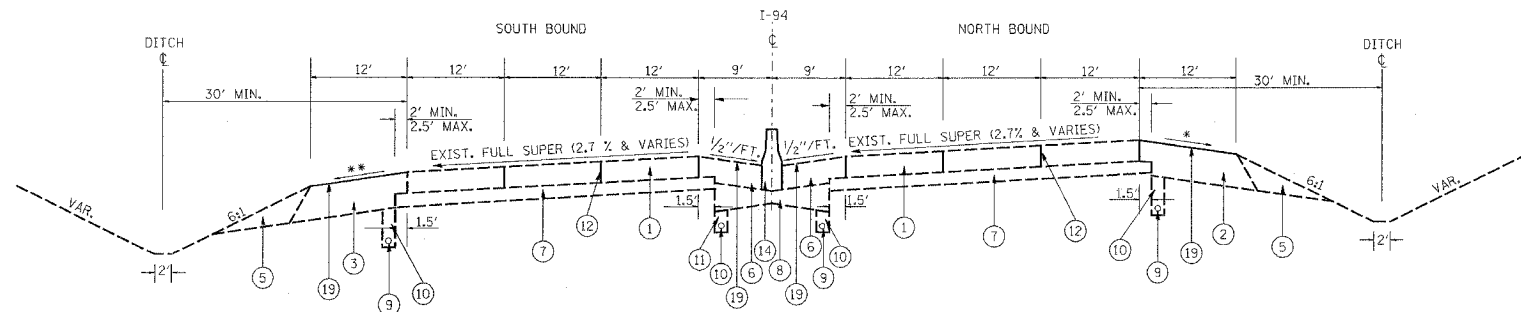
REVISIONS	
NAME	DATE

ILLINOIS DEPARTMENT OF TRANSPORTATION  
 FAI 94/ I-94  
 LAWRENCE AVE TO LAKE-COOK RD

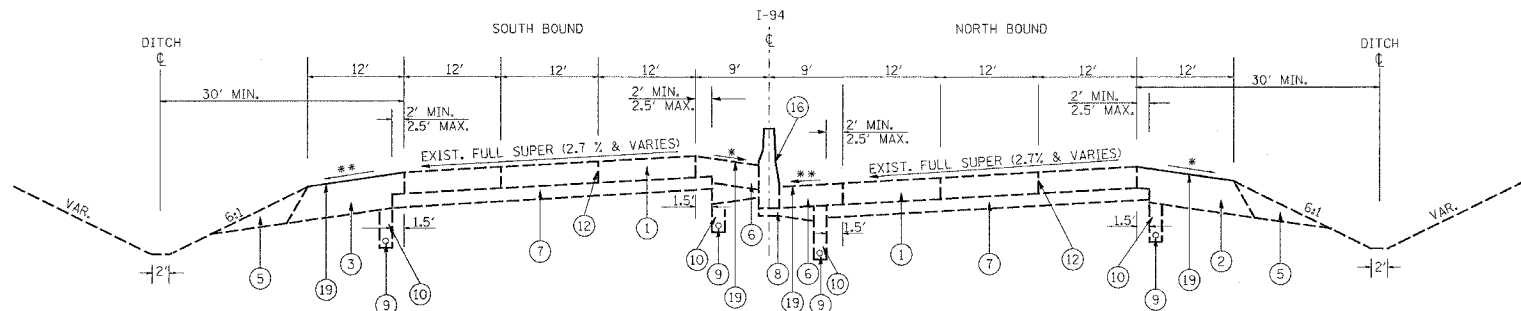
**TYPICAL CROSS SECTION**

SCALE: VERT.  
 HORIZ.  
 DATE

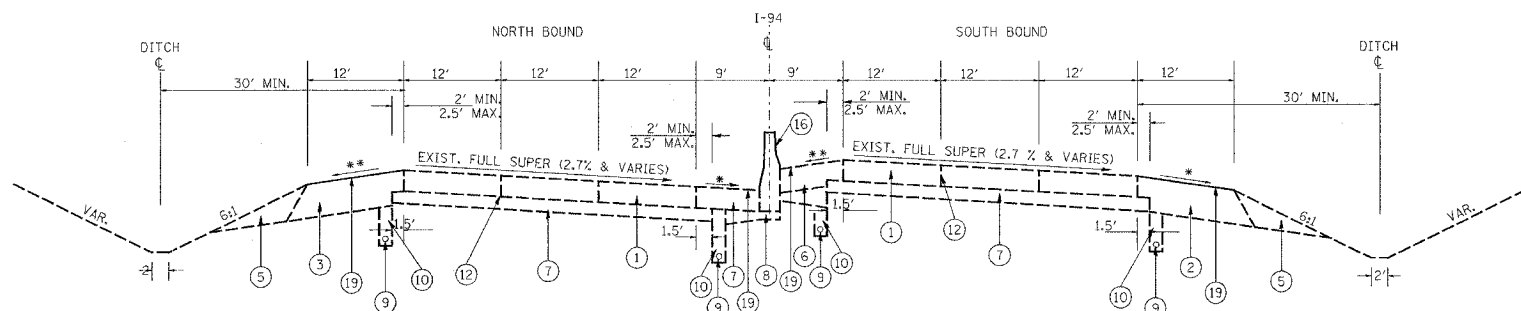
DRAWN BY  
 CHECKED BY



EXISTING/PROPOSED TYPICAL CROSS SECTION  
 LAWRENCE AVE TO TOUHY AVE  
 WILLOW RD TO DUNDEE RD



EXISTING/PROPOSED TYPICAL CROSS SECTION  
 LAWRENCE AVE TO TOUHY AVE  
 WILLOW RD TO DUNDEE RD



EXISTING/PROPOSED TYPICAL CROSS SECTION  
 LAWRENCE AVE TO CALDWELL/PETERSON AVE  
 OLD ORCHARD RD TO WILLOW RD  
 WILLOW RD TO DUNDEE RD

PLOT DATE = 15/31/2005  
 FILE NAME = c:\prowork\10103041\0103041a.mxd  
 USER NAME = galsbora