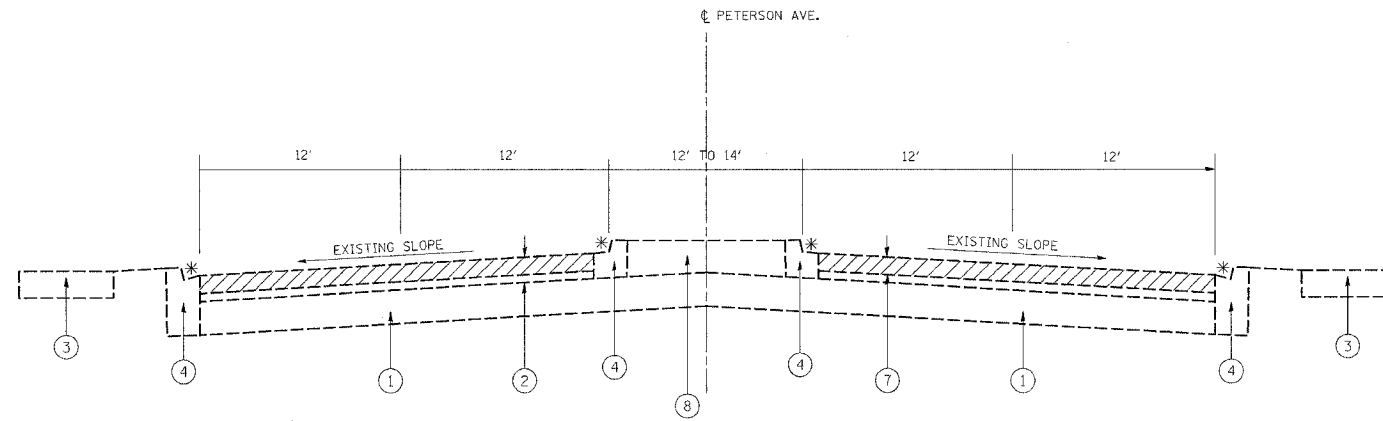
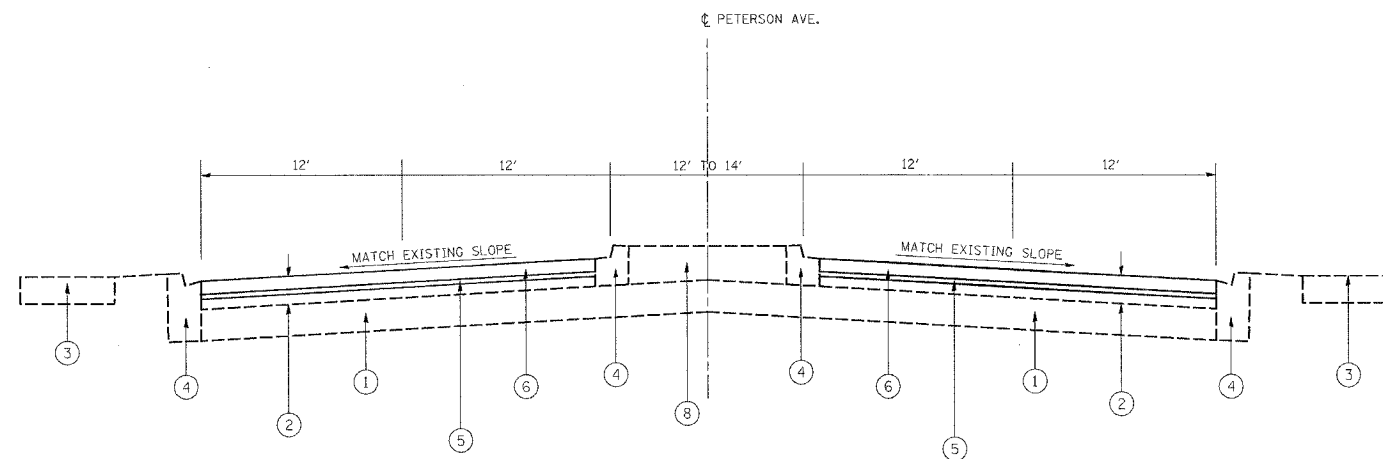


F.A.P. RTE.	SECTION	COUNTY	TOTAL SHEETS	SHEET NO.
341	2005-015 RS	COOK	18	4
STA. 30+66		TO STA. 37+04		
FED. ROAD DIST. NO. 1		ILLINOIS	FED. AID PROJECT	



LEGEND

- ① EXISTING PCC BASE COURSE, 10"(±)
- ② EXISTING BIT. CONCRETE SURFACE COURSE, 5"(±)
- ③ EXISTING PCC SIDEWALK, 5"
- ④ EXISTING COMBINATION CONC. CURB & GUTTER, TYPE B-6.12
- ⑤ PROPOSED POLYMERIZED LEVELING BINDER (MM), SUPERPAVE, IL-4.75, N50, 3/4"
- ⑥ PROPOSED BIT. CONC. SURFACE COURSE, SUPERPAVE, MIX "F", N90, 1 3/4"
- ⑦ BITUMINOUS SURFACE REMOVAL - 2 1/2"
- ⑧ EXISTING LANDSCAPE MEDIAN



BITUMINOUS MIXTURE REQUIREMENTS

MIXTURE USE	AC TYPE	MAX RAP. (%)	AIR VOIDS (%)
POLYMERIZED LEVELING BINDER (MM), SUPERPAVE, IL-4.75, N50	SBS/SBR 76-28	0%	2.5% @ 50 GYR
POLYMERIZED BIT. CONC. SURFACE COURSE, SUPERPAVE, MIX "F" N90	SBS/SBR 70-22	0%	4% @ 90 GYR
BIT. REPLACEMENT OVER PATCHES, IL-19.0 MM	PG 64-22	15%	4% @ 70 GYR

THE UNIT WEIGHT USED TO CALCULATE ALL BITUMINOUS MIXTURE QUANTITIES IS 112 LBS/SY/IN

NOTE:

* BIT. SURFACE REMOVAL (VARIABLE DEPTH OF 0 - 2 1/2") AT AREAS WHERE BIT. CONCRETE OVERLAYS GUTTER FLAG. LOCATIONS TO BE DETERMINED IN THE FIELD BY THE RESIDENT ENGINEER.

REVISIONS		ILLINOIS DEPARTMENT OF TRANSPORTATION
NAME	DATE	
		TYPICAL SECTIONS

SCALE: VERT. _____
HORIZ. _____
DATE _____ DRAWN BY _____
CHECKED BY _____

PLOT DATE = 6/4/2005
FILE NAME = c:\p\proj\03\0317195\0317195a.mxd
PLOT SCALE = 50.0000' / IN.
USER NAME = wjgarcia