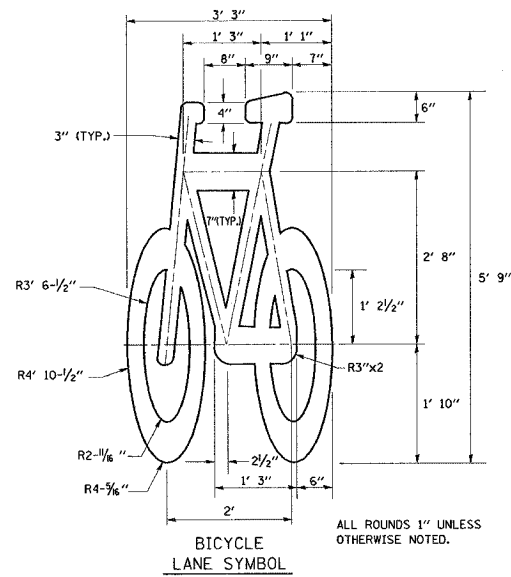
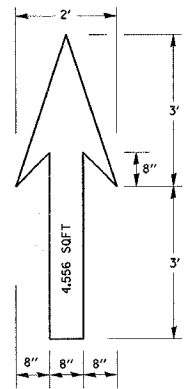


62938

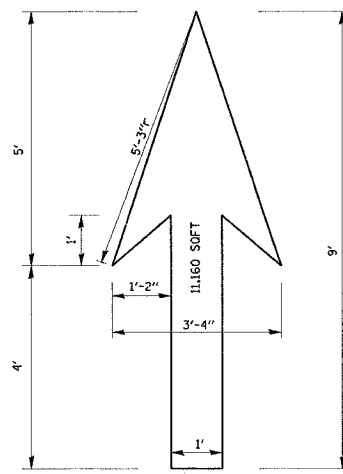


NOTE:
 1.) FOR BIKE LANE SYMBOLS ONLY,
 USE PRE-FORMED THERMOPLASTIC
 WITH A MINIMUM THICKNESS OF 90 MILS,
 MINIMUM SKID RESISTANCE VALUE OF 60 BPN,
 & A MINIMUM INDEX OF REFRACTION OF 1.50.

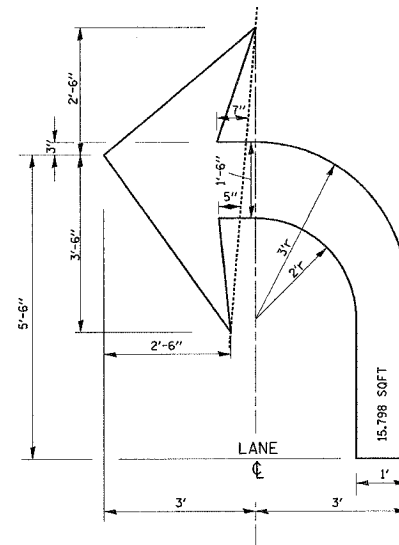
2.) THE RESIDENT ENGINEER SHALL CONTACT
 MR. BEN GOMBERG AT 312-744-8093 AT
 LEAST ONE CALENDAR WEEK PRIOR TO
 INSTALLING BIKE LANE SYMBOLS.

TYPICAL BIKE LANE SYMBOLS
 DRAWING #28

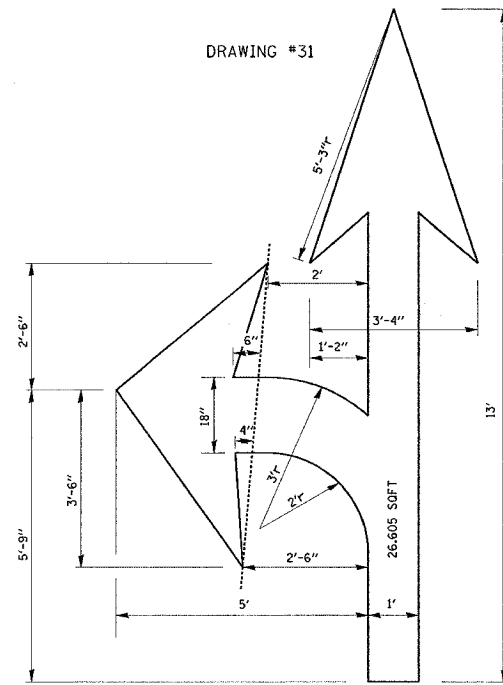
DRAWING #29



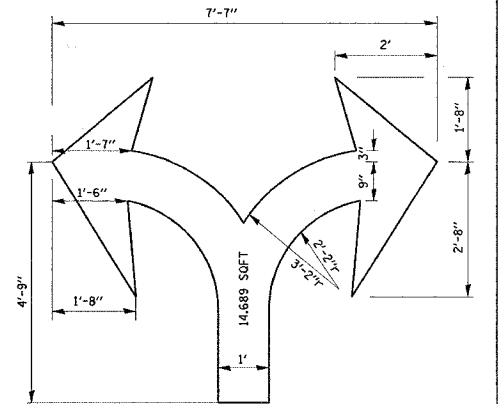
DRAWING #30



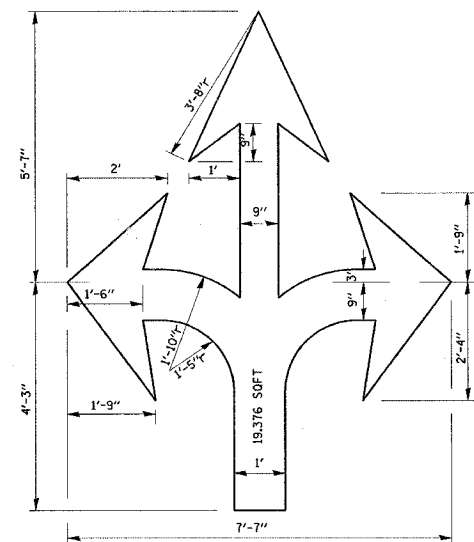
DRAWING #31



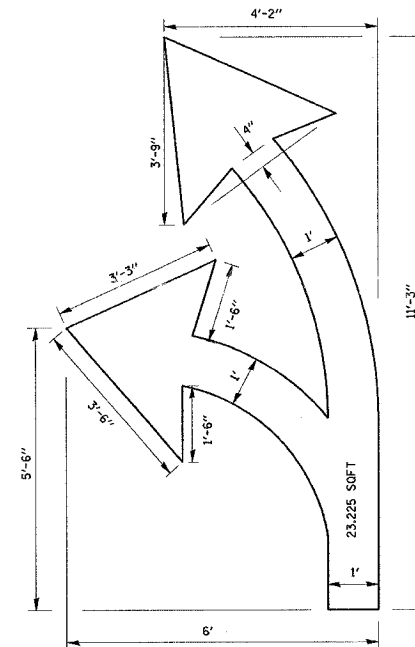
DRAWING #32



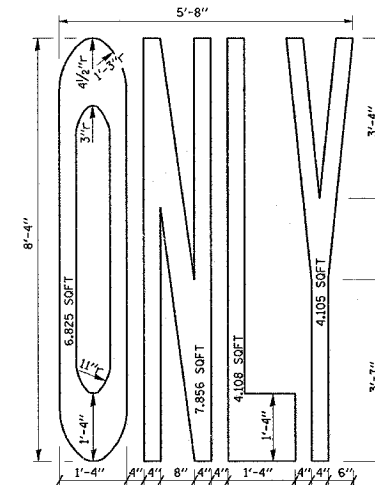
DRAWING #33



DRAWING #34



DRAWING #35



NOTE:
 ALL MARKINGS SHALL BE
 SOLID WHITE UNLESS
 OTHERWISE NOTED IN THE
 PLANS

2 OF 2

REVISIONS	
NAME	DATE
T. RAMMACHER	12/07/00

ILLINOIS DEPARTMENT OF TRANSPORTATION
CITY OF CHICAGO
TYPICAL PAVEMENT
MARKINGS.

SCALE: NONE
 DATE 6/4/2005

DRAWN BY
 CHECKED BY
 TC-24

REVISION DATE: 02/25/04