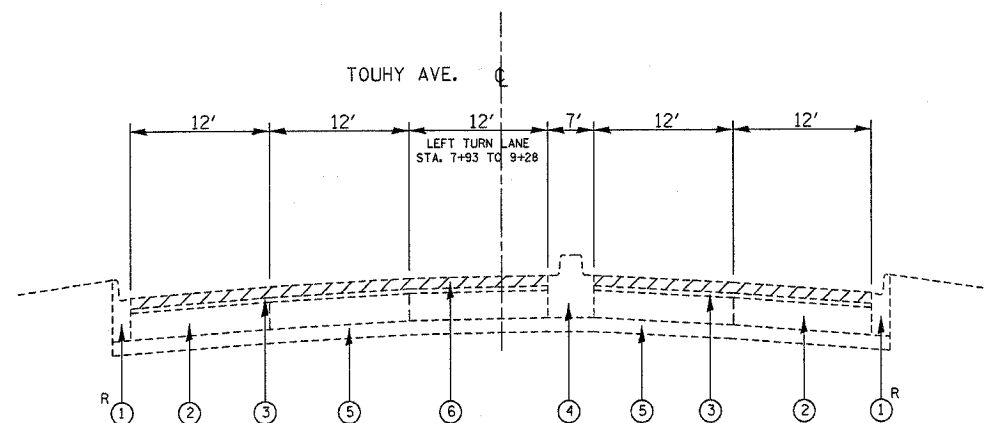
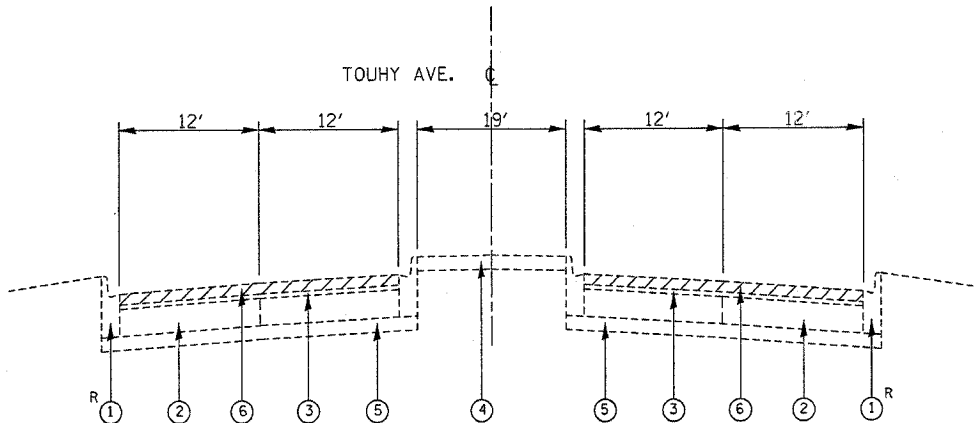


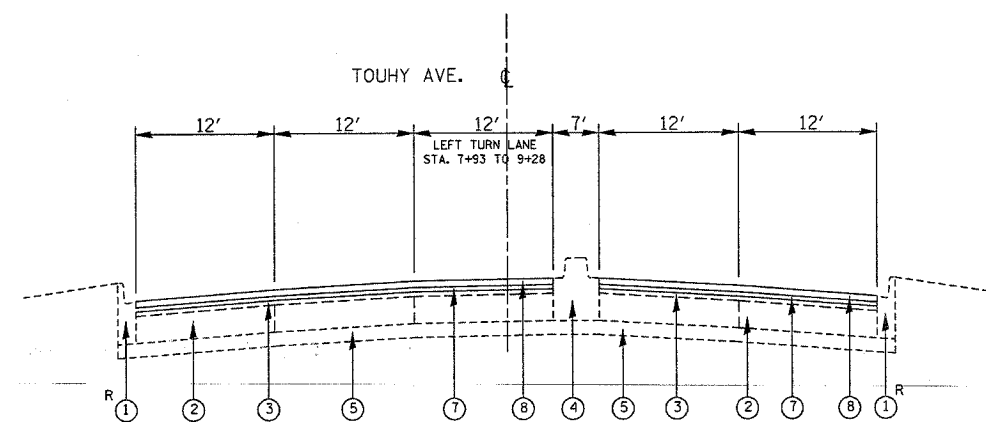
F.A.P. RTE.	SECTION	COUNTY	TOTAL SHEETS	SHEET NO.
375	3035-Z-Y-1-RS-1	COOK	23	5
STA.		TO STA.		
FED. ROAD DIST. NO. 1		ILLINOIS	FED. AID PROJECT	
CONTRACT NO. 62941				



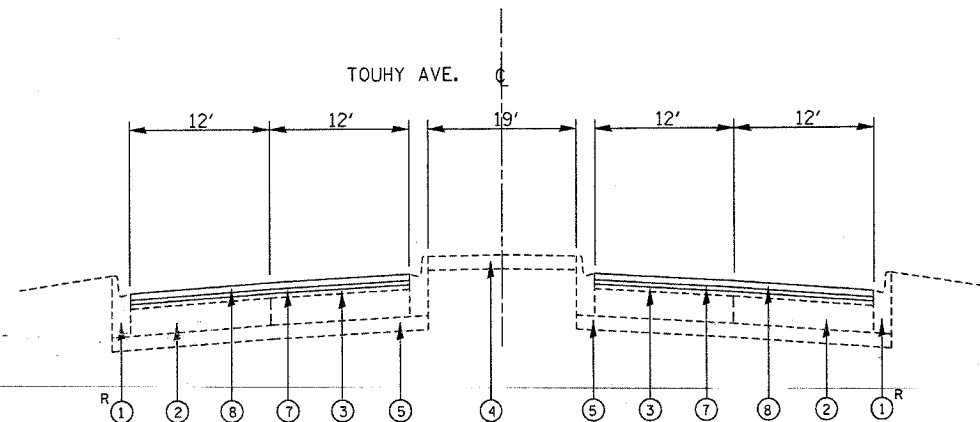
EXISTING TYPICAL SECTION
STA. 7+94 TO 9+28



EXISTING TYPICAL SECTION
STA. 9+28 TO 13+10



PROPOSED TYPICAL SECTION
STA. 7+94 TO 9+28



PROPOSED TYPICAL SECTION
STA. 9+28 TO 13+10

LEGEND:

- ① EXISTING CONCRETE CURB AND GUTTER, TYPE B-6.24
 - ② EXISTING P.C.C. PAVEMENT, 10"
 - ③ EXISTING BITUMINOUS SURFACE, 3" & VARIES
 - ④ EXISTING BARRIER MEDIAN
 - ⑤ EXISTING STABILIZED SUB-BASE
 - ⑥ PROPOSED BITUMINOUS SURFACE REMOVAL, 2 1/2"
 - ⑦ PROPOSED POLYMERIZED LEVELING BINDER (MACHINE METHOD), SUPERPAVE, IL-4.75, 3/4"
 - ⑧ PROPOSED BITUMINOUS CONCRETE SURFACE COURSE, SUPERPAVE, MIX "F", N90, 1 3/4"
- R CURB AND GUTTER REMOVAL AND REPLACEMENT (LOCATION AS DIRECTED BY ENGINEER)

PLOT DATE = 6/4/2005
 FILE NAME = c:\puro\mca\110000\110000.dwg
 PLOT SCALE = 1/8" = 1'-0"
 USER NAME = steedpa

ILLINOIS DEPARTMENT OF TRANSPORTATION

TYPICAL SECTIONS
F.A.P. 375 (TOUHY AVE.) AT
U.S. 12/45 (MANNHEIM RD.)

SCALE: VERT. _____
HORIZ. _____

DATE _____ DRAWN BY _____
CHECKED BY _____