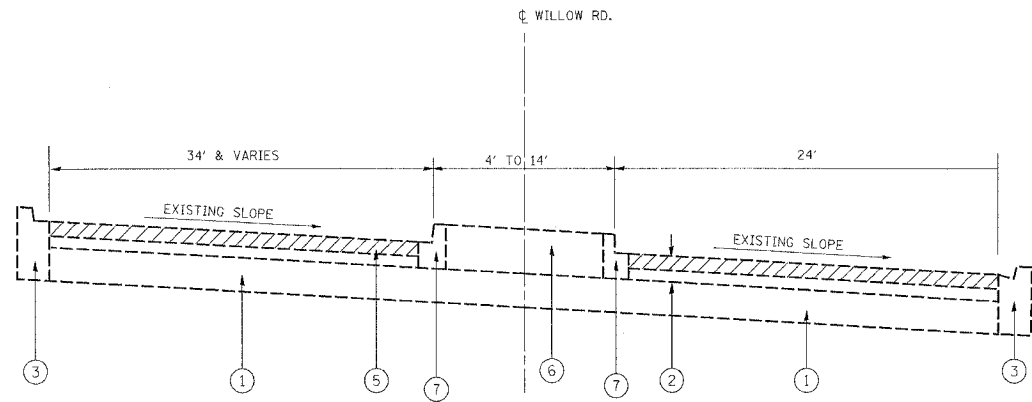


F.A.P. RTE.	SECTION	COUNTY	TOTAL SHEETS	SHEET NO.
305	(1616&1719)RS-2	COOK	27	5
STA. _____		TO STA. _____		
FED. ROAD DIST. NO. 1		ILLINOIS FED. AID PROJECT		



EXISTING TYPICAL SECTION
WILLOW ROAD

STATION
427+74 TO 439+96

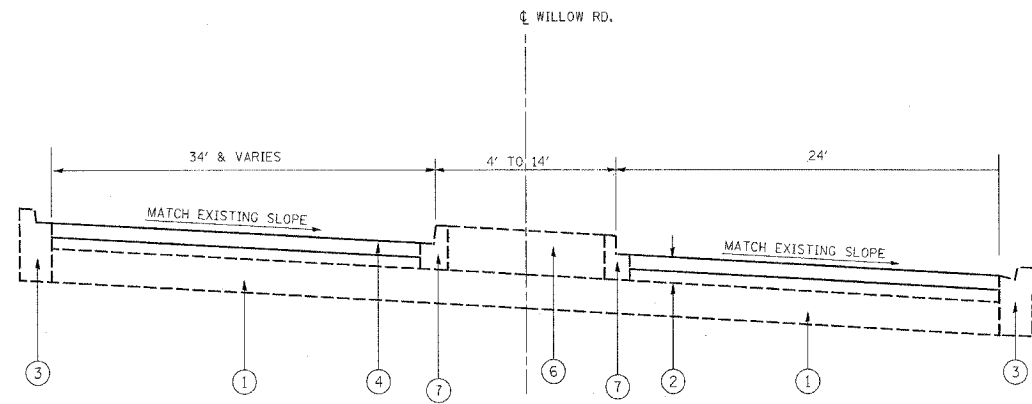
LEGEND

- ① EXISTING PCC BASE COURSE, 10"(±)
- ② EXISTING BIT. CONCRETE SURFACE COURSE, 3"(±)
- ③ EXISTING TYPE B-6.12 CURB & GUTTER
- ④ PROPOSED POLYMERIZED BIT. CONC. SURFACE COURSE, SUPERPAVE, MIX "F", N90, 1 3/4 "
- ⑤ BITUMINOUS SURFACE REMOVAL - 1 3/4"
- ⑥ EXISTING BITUMINOUS MEDIAN
- ⑦ EXISTING B-9.12 OR M-2.12 CURB AND GUTTER

NOTES:

NON-TRAVERSABLE MEDIANS WITH TYPE B-9.12 CURB & GUTTER FROM STA. 427+74 TO STA. 433+01 AND STA. 435+42 TO STA. 436+35

ALL OTHER BITUMINOUS MEDIANS ARE MOUNTABLE WITH TYPE M-2.12 CURB & GUTTER



PROPOSED TYPICAL SECTION
WILLOW ROAD

STATION
427+74 TO 439+96

REVISIONS	
NAME	DATE

ILLINOIS DEPARTMENT OF TRANSPORTATION

EXISTING & PROPOSED
TYPICAL SECTIONS

SCALE: VERT.
HORIZ.
DATE

DRAWN BY
CHECKED BY