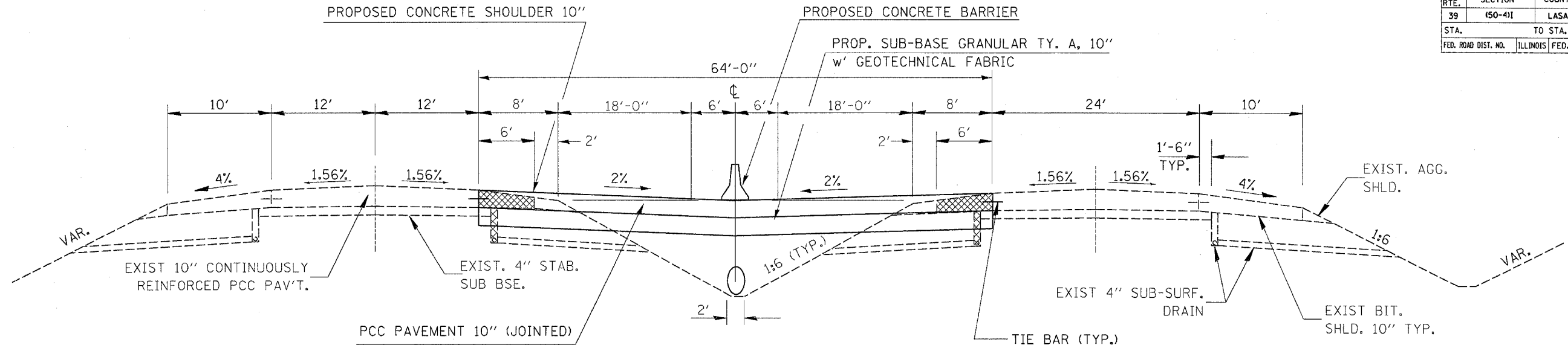
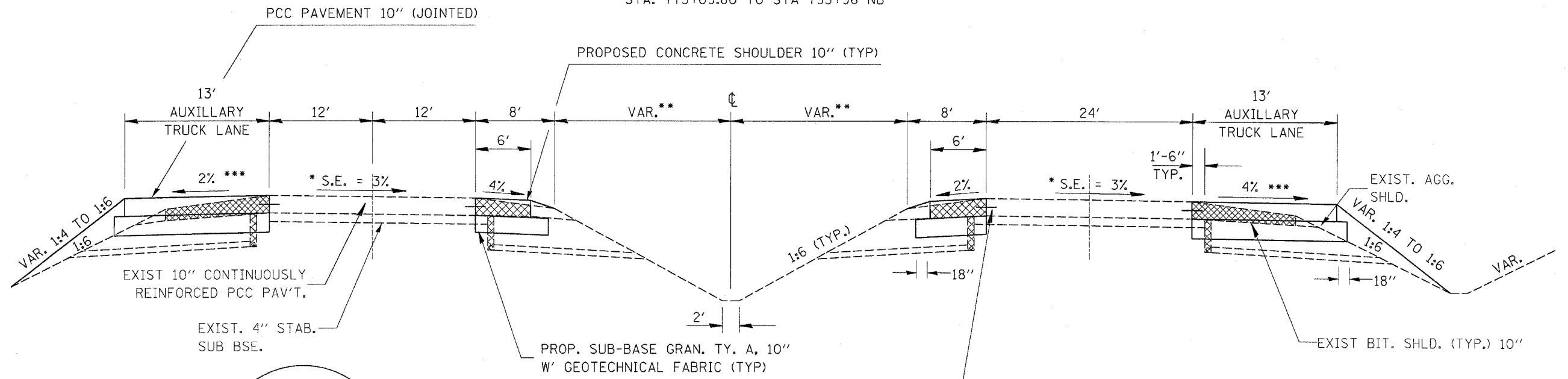


F.A. RTE.	SECTION	COUNTY	TOTAL SHEETS	SHEET NO.
39	150-401	LASALLE	33	6
STA. TO STA.		FED. ROAD DIST. NO. ILLINOIS FED. AID PROJECT		



### TYPICAL SECTION

STA. 771+01.41 TO STA 792+75 SB  
 STA. 773+09.80 TO STA 793+96 NB



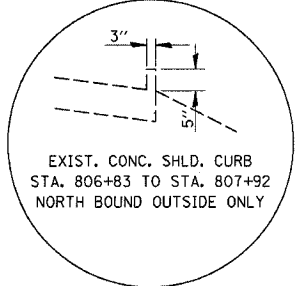
### TYPICAL SECTION

STA. 792+75 TO STA. 804+50 SB  
 STA. 793+96 TO STA. 804+50 NB

\* TRANSITION TO FULL SUPER FROM  
 STA. 790+35 TO STA 792+75 SB  
 STA. 791+56 TO STA 793+96 NB

\*\* MEDIAN VARIES 32' TO 12' FROM P.C. STA. 791+93.78 TO STA. 807+26.21 SB  
 MEDIAN VARIES 32' TO 12' FROM P.C. STA. 793+17.13 TO STA. 807+33.21 NB

\*\*\* TRANSITION FROM EXISTING SUPER FROM STA 792+65 TO STA 794+65 NB  
 TRANSITION FROM EXISTING SUPER FROM STA 792+65 TO STA 794+65 SB



REVISIONS		ILLINOIS DEPARTMENT OF TRANSPORTATION
NAME	DATE	
		<b>TYPICAL SECTIONS</b>

SCALE: VERT. \_\_\_\_\_  
 HORIZ. \_\_\_\_\_  
 DATE \_\_\_\_\_

DRAWN BY \_\_\_\_\_  
 CHECKED BY \_\_\_\_\_