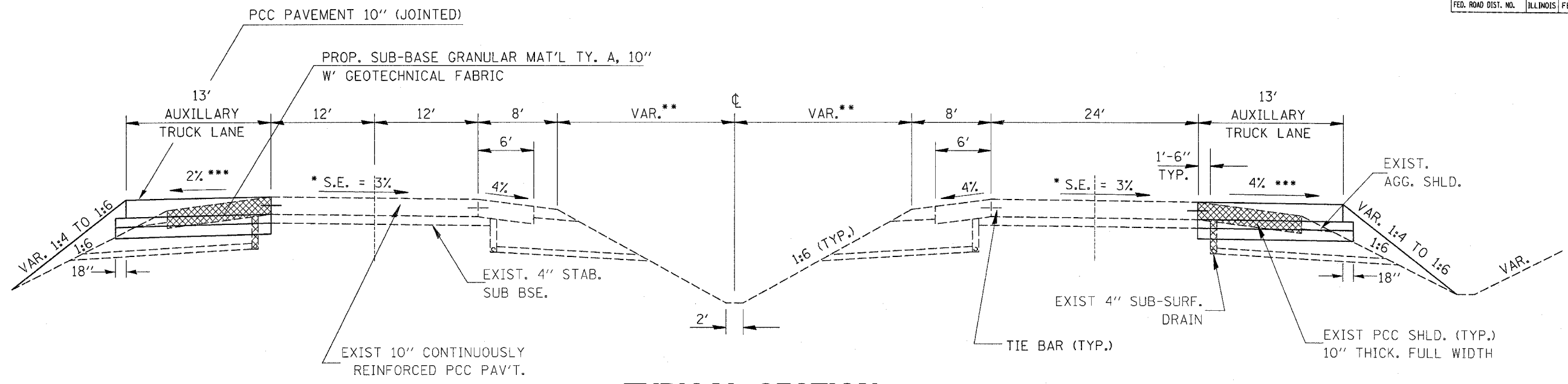


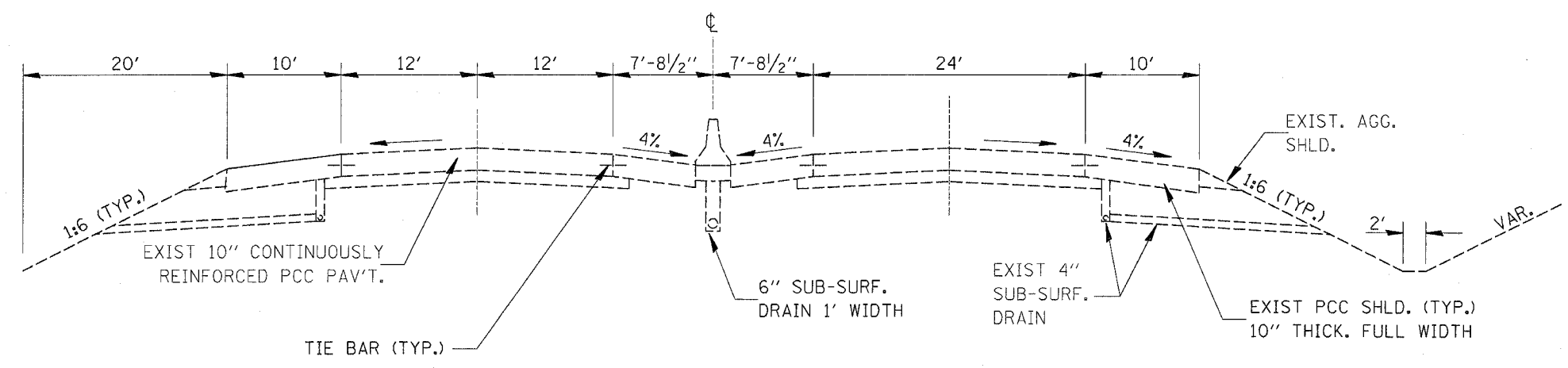
F.A. RTE.	SECTION	COUNTY	TOTAL SHEETS	SHEET NO.
39	150-411	LASALLE	33	7
STA.		TO STA.		
FED. ROAD DIST. NO.		ILLINOIS FED. AID PROJECT		



TYPICAL SECTION

STA. 804+50 TO STA. 808+26.21 SOUTH ABUTMENT SB
 STA. 804+50 TO STA. 808+33.21 SOUTH ABUTMENT NB

*** TRANSITION TO EXISTING SUPER FROM STA 805+00 TO STA 807+33.21 NB
 TRANSITION TO EXISTING SUPER FROM STA 805+00 TO STA 807+26.21 SB



TYPICAL SECTION

STA. 879+39.77 NORTH ABUTMENT TO STA 884+62.69 SB
 STA. 879+65.22 NORTH ABUTMENT TO STA 884+82.41 NB

REVISIONS	
NAME	DATE

ILLINOIS DEPARTMENT OF TRANSPORTATION

TYPICAL SECTIONS

SCALE: VERT. _____
 HORIZ. _____

DATE _____ DRAWN BY _____
 CHECKED BY _____

4/22/2005 c:\pva\ecrs\ap02105\abn11s.dgn