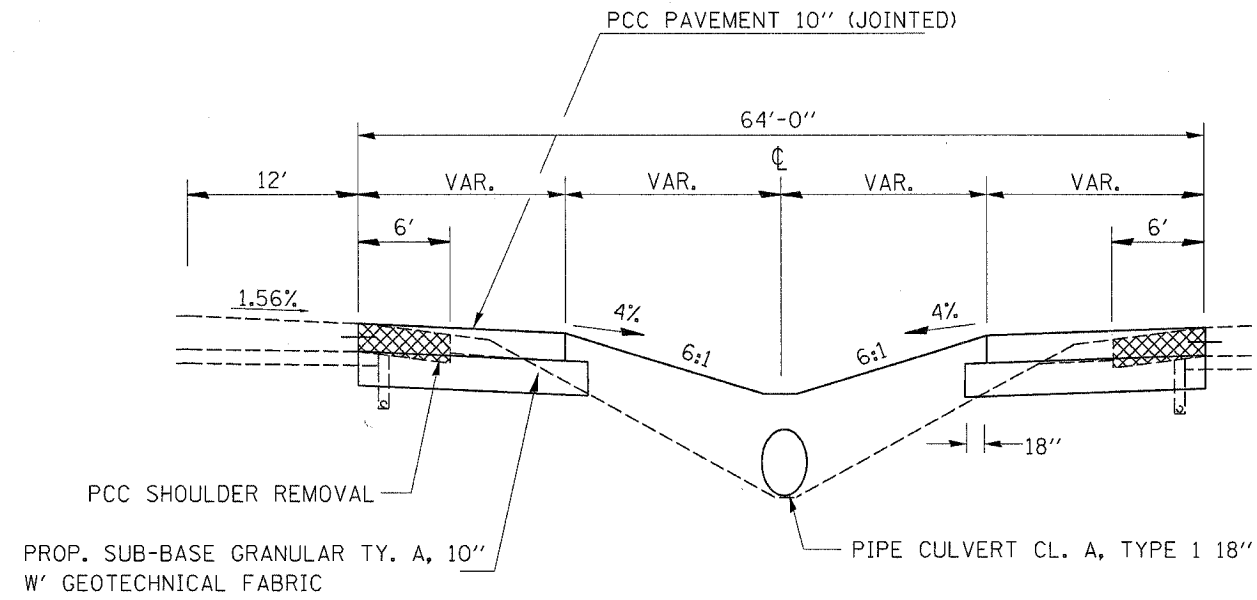
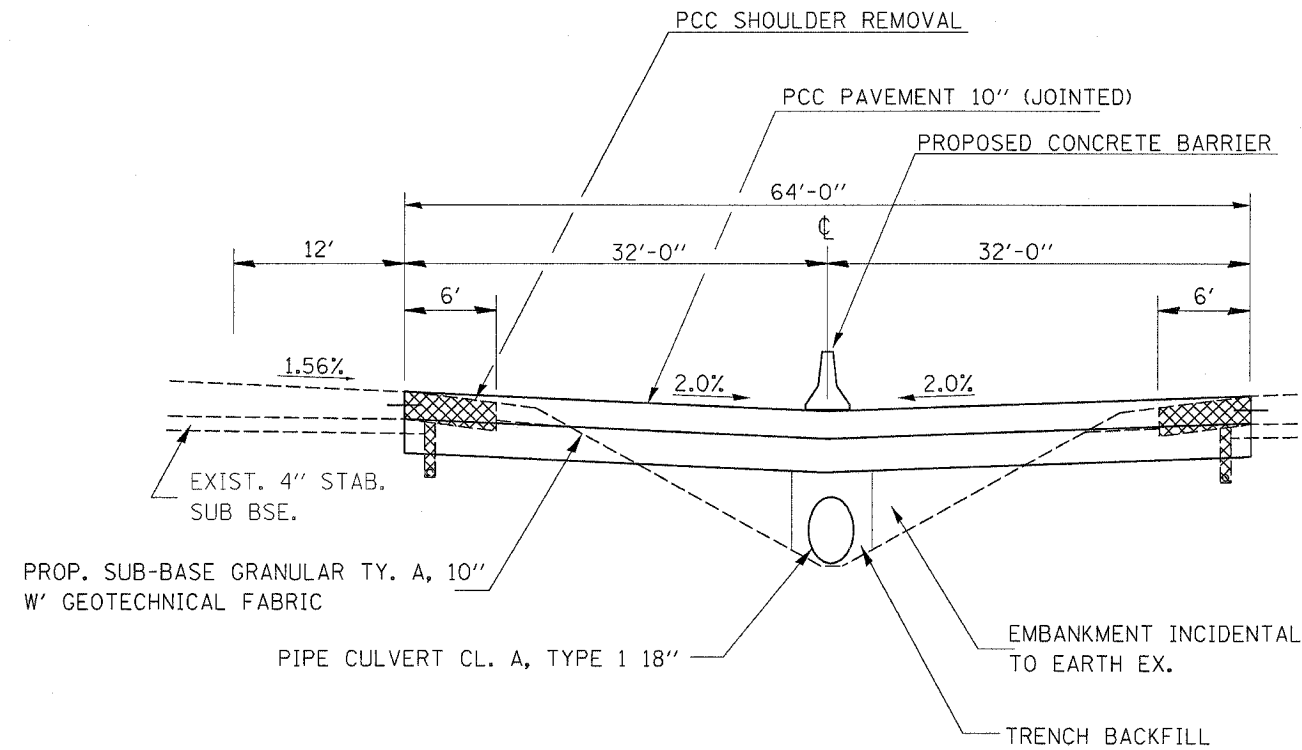


F.A. RTE.	SECTION	COUNTY	TOTAL SHEETS	SHEET NO.
39	(50-4)1	LASALLE	33	9
STA.		TO STA.		
FED. ROAD DIST. NO.	ILLINOIS	FED. AID PROJECT		



TYPICAL SECTION

STA. 776+95 TO STA. 783+96
 STA. 792+13 TO STA. 795+65



TYPICAL SECTION

STA. 783+96 TO STA. 792+13

REVISIONS	
NAME	DATE

ILLINOIS DEPARTMENT OF TRANSPORTATION

**SOUTH CROSS-OVER
 TYPICAL SECTIONS**

SCALE: VERT.
 HORIZ.
 DATE

DRAWN BY
 CHECKED BY