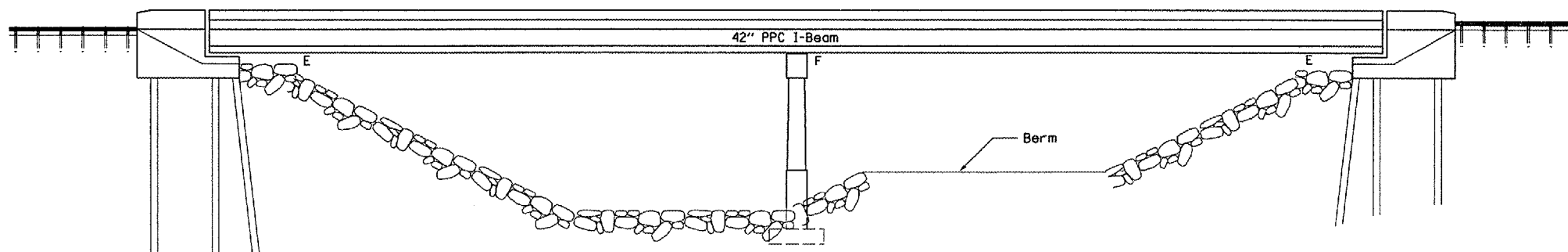
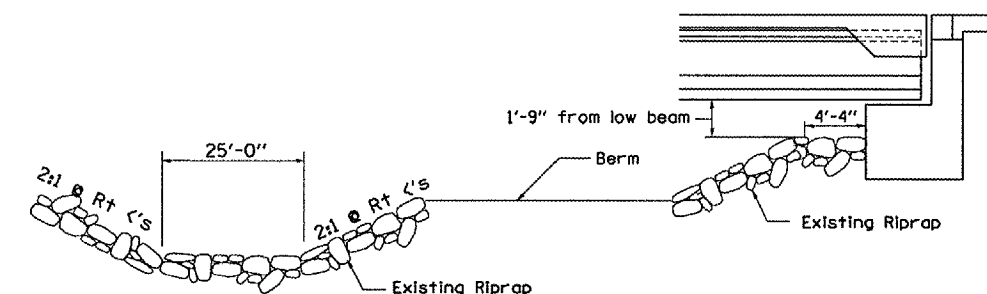


F.A.I. RTE.	SECTION	COUNTY	TOTAL SHEETS	SHEET NO.
412	(50-5B)I	LASALLE	29	4
FED. ROAD DIST. NO.		ILLINOIS	STATE AID PROJECT	

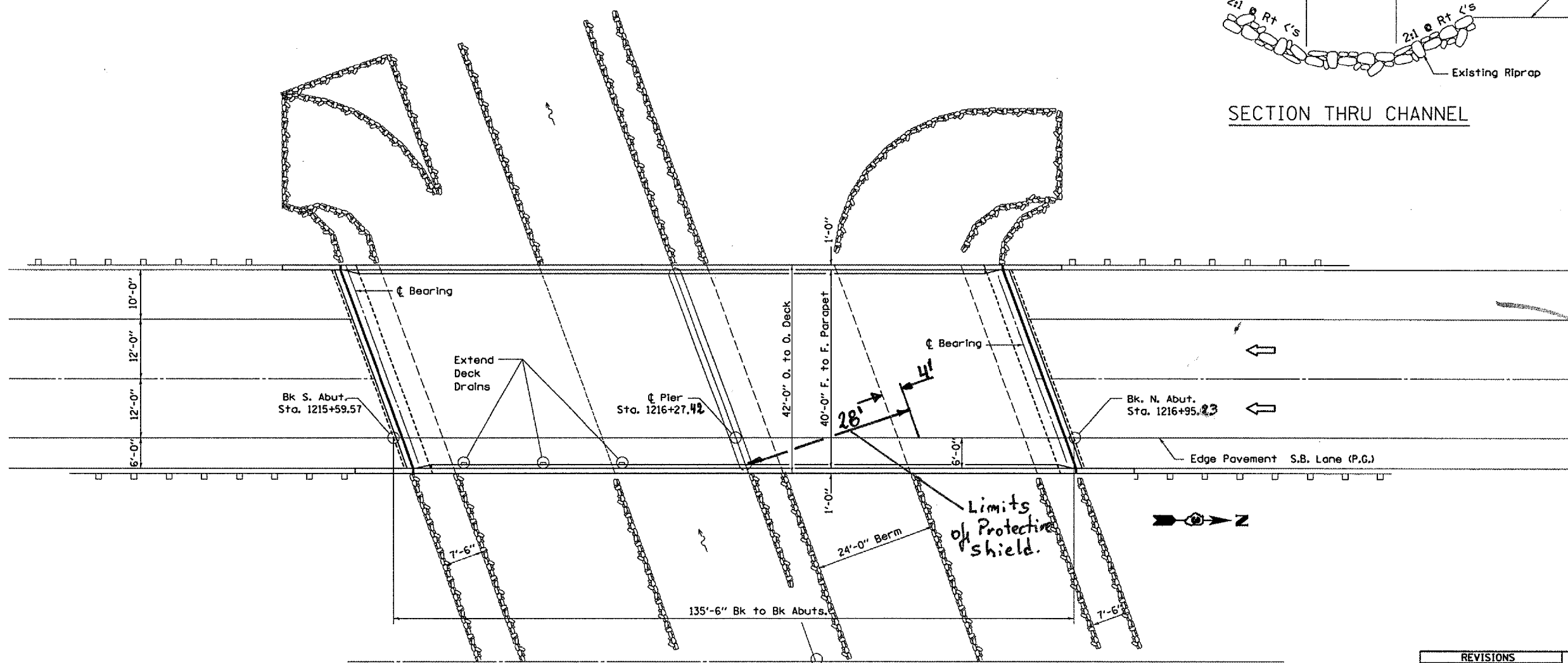


ELEVATION



SECTION THRU CHANNEL

SECTION THRU ABUTMENT



PLAN

REVISIONS	
NAME	DATE

ILLINOIS DEPARTMENT OF TRANSPORTATION

**PLAN & ELEVATION  
CROSS SECTIONS  
F.A.I. 412 SOUTHBOUND  
OVER C. & N.W. RAILROAD  
SECTION (50-5B)I  
STA. 1216+43.45**

DATE 04/24/2005

DRAWN BY RW  
CHECKED BY

MARCH 24, 2005  
C:\PROJECTS\CM\1106\CM302\DETA\1LS.DGN